



# PMMN4148 RM110

## Remote Speaker

### Microphone with 3.5 mm

### Audio Jack (IP55) User

### Guide

en-US	fr-CA	es-LA	pt-BR
zh-CN	ja-JP	ko-KR	id-ID
de-DE	es-ES	fr-FR	it-IT
pl-PL	ru-RU	tr-TR	ar-EG

**MARCH 2023**



# Safety and Legal

This section provides the safety and legal information for this product.

## Intellectual Property and Regulatory Notices

### Copyrights

The Motorola Solutions products described in this document may include copyrighted Motorola Solutions computer programs. Laws in the United States and other countries preserve for Motorola Solutions certain exclusive rights for copyrighted computer programs. Accordingly, any copyrighted Motorola Solutions computer programs contained in the Motorola Solutions products described in this document may not be copied or reproduced in any manner without the express written permission of Motorola Solutions.

No part of this document may be reproduced, transmitted, stored in a retrieval system, or translated into any language or computer language, in any form or by any means, without the prior written permission of Motorola Solutions, Inc.

### Trademarks

MOTOROLA, MOTO, MOTOROLA SOLUTIONS, and the Stylized M Logo are trademarks or registered trademarks of Motorola Trademark Holdings, LLC and are used under license. All other trademarks are the property of their respective owners.

### License Rights

The purchase of Motorola Solutions products shall not be deemed to grant either directly or by implication, estoppel or otherwise, any license under the copyrights, patents or patent applications of Motorola Solutions, except for the normal non-exclusive, royalty-free license to use that arises by operation of law in the sale of a product.

### Open Source Content

This product may contain Open Source software used under license. Refer to the product installation media for full Open Source Legal Notices and Attribution content.

### European Union (EU) and United Kingdom (UK) Waste of Electrical and Electronic Equipment (WEEE) Directive



The European Union's WEEE directive and the UK's WEEE regulation require that products sold into EU countries and the UK must have the crossed-out wheeled bin label on the product (or the package in some cases). As defined by the WEEE directive, this crossed-out wheeled bin label means that customers and end-users in EU and UK countries should not dispose of electronic and electrical equipment or accessories in household waste.

Customers or end-users in EU and UK countries should contact their local equipment supplier representative or service centre for information about the waste collection system in their country.

### Disclaimer

Please note that certain features, facilities, and capabilities described in this document may not be applicable to or licensed for use on a specific system, or may be dependent upon the characteristics of

a specific mobile subscriber unit or configuration of certain parameters. Please refer to your Motorola Solutions contact for further information.

© 2023 Motorola Solutions, Inc. All Rights Reserved

## RF Energy Exposure and Product Safety Guide for Portable Two-Way Radios

### CAUTION:

Before using this accessory, read this guide which contains important operating instructions for safe usage and RF energy awareness and control for compliance with applicable standards and regulations.

The Remote Speaker Microphone (RSM), when attached to the radio, is restricted to occupational use only to satisfy FCC/ICNIRP RF energy exposure requirements. Before using this product, read the RF energy awareness information and operating instructions in the Product Safety and RF Exposure booklet enclosed with your radio to ensure compliance with RF energy exposure limits.

## Acoustic Safety

Exposure to loud noises from any source for extended periods of time may temporarily or permanently affect your hearing. The louder the radio's volume, the less time is required before your hearing could be affected. Hearing damage from loud noise is sometimes undetectable at first and can have a cumulative effect. To protect your hearing:

- Use the lowest volume necessary to do your job.
- Turn up the volume only if you are in noisy surroundings.
- Turn down the volume before adding headset or earpiece.
- Limit the amount of time you use headsets or earpieces at high volume.
- When using the radio without a headset or earpiece, do not place the radio's speaker directly against your ear.
- If you experience hearing discomfort, ringing in your ears, or speeches that are muffled, you should stop listening to your radio through your headset or earpiece, and have your hearing checked by your doctor.

## Service and Warranty

Motorola Solutions offers warranty for your RSM. Refer to your Motorola Solutions dealer or point-of-purchase for detailed information.



**NOTE:** Warranty is void after customer replacement of any parts other than replacements parts listed.

## Certification Markings



## Contact Address

**European Union Contact**  
Motorola Solutions,

MN009681A01-AA  
Safety and Legal

Czerwone Maki 82,  
30-392 Krakow, Poland

**UK Contact**

Motorola Solutions UK Ltd.,  
Nova South, 160 Victoria Street,  
London, SW1E 5LB,  
United Kingdom

# Contact Us

The Centralized Managed Support Operations (CMSO) is the primary contact for technical support included in your organization's service agreement with Motorola Solutions.

Service agreement customers should be sure to call the CMSO in all situations listed under Customer Responsibilities in their agreement, such as:

- To confirm troubleshooting results and analysis before taking action

Your organization received support phone numbers and other contact information appropriate for your geographic region and service agreement. Use that contact information for the most efficient response. However, if needed, you can also find general support contact information on the Motorola Solutions website, by following these steps:

- 1 Enter [motorolasolutions.com](https://motorolasolutions.com) in your browser.
- 2 Ensure that your organization's country or region is displayed on the page. Clicking or tapping the name of the region provides a way to change it.
- 3 Select "Support" on the [motorolasolutions.com](https://motorolasolutions.com) page.

## Comments

Send questions and comments regarding user documentation to [documentation@motorolasolutions.com](mailto:documentation@motorolasolutions.com).

Provide the following information when reporting a documentation error:

- The document title and part number
- The page number or title of the section with the error
- A description of the error

Motorola Solutions offers various courses designed to assist in learning about the system. For information, go to <https://learning.motorolasolutions.com> to view the current course offerings and technology paths.

# Icon Conventions

The documentation set is designed to give the reader more visual clues. The following graphic icons are used throughout the documentation set.



**DANGER:** The signal word DANGER with the associated safety icon implies information that, if disregarded, will result in death or serious injury.



**WARNING:** The signal word WARNING with the associated safety icon implies information that, if disregarded, could result in death or serious injury, or serious product damage.



**CAUTION:** The signal word CAUTION with the associated safety icon implies information that, if disregarded, may result in minor or moderate injury, or serious product damage.

**CAUTION:** The signal word CAUTION may be used without the safety icon to state potential damage or injury that is not related to the product.




**IMPORTANT:** IMPORTANT statements contain information that is crucial to the discussion at hand, but is not CAUTION or WARNING. There is no warning level associated with the IMPORTANT statement.



**NOTE:** NOTICE contains information more important than the surrounding text, such as exceptions or preconditions. They also refer the reader elsewhere for additional information, remind the reader how to complete an action (when it is not part of the current procedure, for instance), or tell the reader where something is on the screen. There is no warning level associated with a notice.

# Style Conventions

The following style conventions are used:

Convention	Description
<b>Bold</b>	This typeface is used for names of, for instance, windows, buttons, and labels when these names appear on the screen (example: the <b>Alarms Browser</b> window). When it is clear that we are referring to, for instance, a button, the name is used alone (example: Click <b>OK</b> ).
Monospacing font in bold	This typeface is used for words to be typed in exactly as they are shown in the text (example: In the <b>Address</b> field, type <code>http://ucs01.ucs:9080/</code> ).
Monospacing font	This typeface is used for messages, prompts, and other text displayed on the computer screen (example: <code>A new trap destination has been added</code> ).
<i>&lt;Monospacing font in bold Italic&gt;</i>	This typeface is used with angle brackets as placeholders for a specific member of the group that the words represent (example: <i>&lt;router number&gt;</i> ).   <b>NOTE:</b> In sequences to be typed in, the angle brackets are omitted to avoid confusion whether to include the angle brackets in the text to be typed.
CAPITAL LETTERS	This typeface is used for keyboard keys (example: Press Y, and then press ENTER).
<i>Italic</i>	This typeface is used for citations. A citation usually is the name of a document or a phrase from another document (example: <i>Dimetra IP System Overview</i> ).
→	An → (arrow pointing right) is used for indicating the menu or tab structure in instructions on how to select a certain menu item (example: <b>File</b> → <b>Save</b> ) or a certain sub-tab.

# Contents

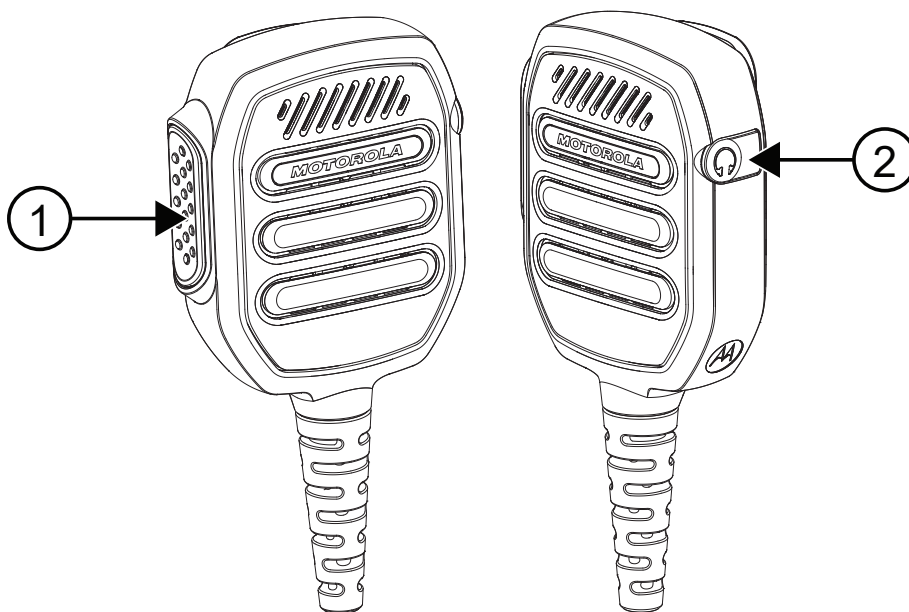
<b>Safety and Legal</b> .....	<b>2</b>
Intellectual Property and Regulatory Notices.....	2
RF Energy Exposure and Product Safety Guide for Portable Two-Way Radios.....	3
Acoustic Safety.....	3
Service and Warranty.....	3
Certification Markings.....	3
Contact Address.....	3
<b>Contact Us</b> .....	<b>5</b>
<b>Icon Conventions</b> .....	<b>6</b>
<b>Style Conventions</b> .....	<b>7</b>
<b>Chapter 1: Product Overview</b> .....	<b>9</b>
1.1 Compatible Secondary Audio Accessories.....	9
1.2 Replacement Parts.....	10
1.2.1 Attaching Swivel Clip.....	11
1.2.2 Detaching Swivel Clip.....	12
1.2.3 Removing the Dust Cover.....	12
1.2.4 Inserting the Dust Cover.....	13
<b>Chapter 2: Operating Instructions</b> .....	<b>14</b>
2.1 Attaching the RSM to the Radio.....	14
2.2 Detaching the RSM from the Radio.....	14
<b>Chapter 3: Recommended Practices</b> .....	<b>15</b>
3.1 Common Care.....	15
3.2 Transmitting and Receiving.....	16
3.3 Recommended RSM Wearing Positions.....	17
3.4 Cable Management.....	17



## Chapter 1

# Product Overview

This user manual describes the RM110 Remote Speaker Microphone, with 3.5 mm Audio Jack (IP55), PMMN4148.



Number	Description
1	Push-to-Talk Button
2	Receive-only 3.5 mm Audio Jack (Non-threaded) covered by Dust Cover

### 1.1

## Compatible Secondary Audio Accessories

No	Descriptions
PMLN8120	Rx only xL Clear Tube Earpiece, 3.5 mm Jack

1.2

## Replacement Parts

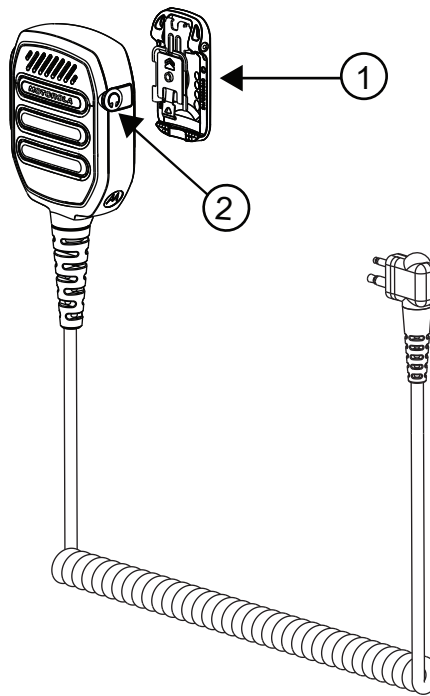
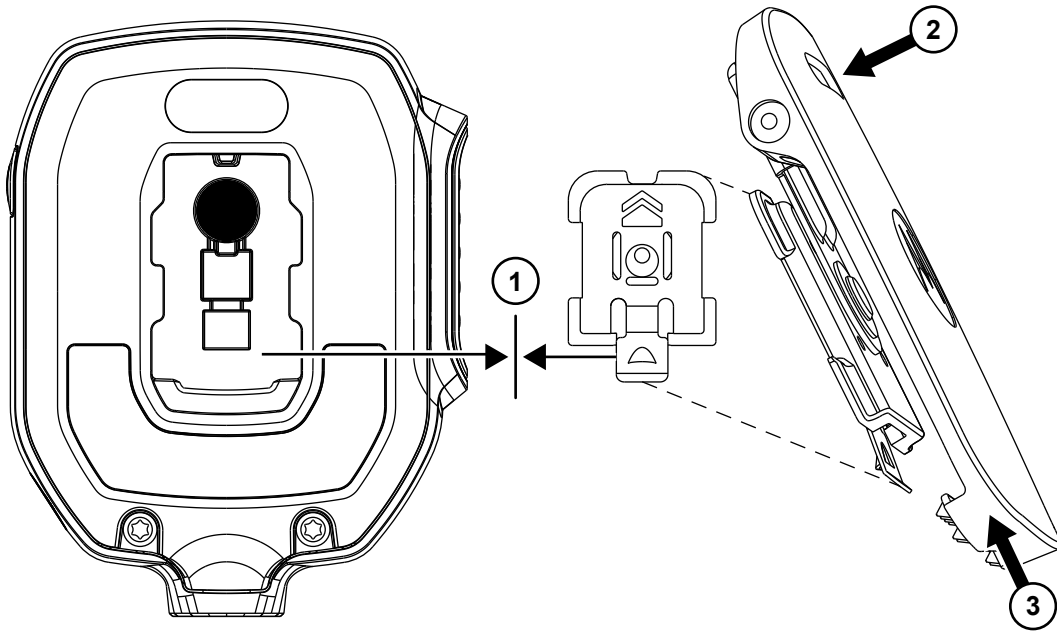


Table 1: Replacement Parts Callouts

No	Descriptions
1	Low Profile Swivel Clip (PMLN8121)
2	Dust Cover 10pcs/pack (PMLN8253)

1.2.1

## Attaching Swivel Clip

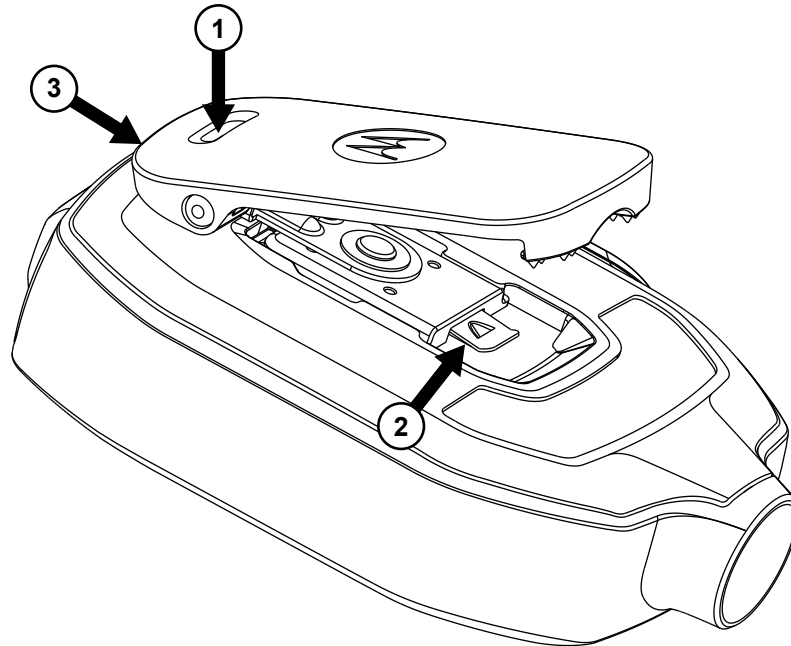


**Procedure:**

- 1 Align the Bottom Release Latch to facing the downwards position.
- 2 Push down the top of the clip.
- 3 Simultaneously, slide the clip upward.

### 1.2.2

## Detaching Swivel Clip

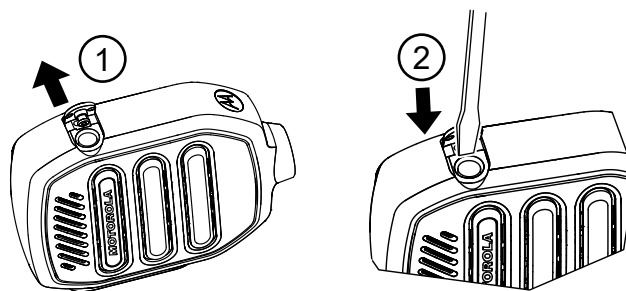


### Procedure:

- 1 Push top of the clip to raise the clip to the highest position.
- 2 Lift up the bottom release latch.
- 3 Slide the clip to remove the clip.

### 1.2.3

## Removing the Dust Cover

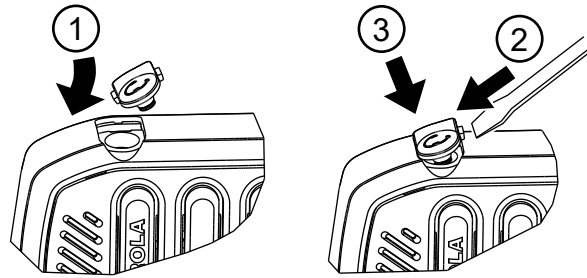


### Procedure:

- 1 Lift up dust cover until it is fully open.
- 2 Insert small flat tip into recess and pry out the dust cover.

### 1.2.4

## Inserting the Dust Cover



### Procedure:

- 1 Slide the side tab of Dust Cover into the recess slot.
- 2 Push the opposite side with small tool.
- 3 Simultaneously push the Dust Cover into the RSM.

## Chapter 2

# Operating Instructions

This section provides guidelines on how to use your Remote Speaker Microphone.

## 2.1

### Attaching the RSM to the Radio

**Prerequisites:** Turn off your radio.



**NOTE:** To ensure proper operation, turn off the radio before connecting the RSM to the radio. Connecting the RSM to the radio disables the speaker of the radio, but does not disable the microphone and PTT of the radio.

**Procedure:**

Attach the Remote Speaker Microphone (RSM) connector to the side connector of the radio.

## 2.2

### Detaching the RSM from the Radio

**Prerequisites:** Turn off your radio.

**When and where to use:**

**Procedure:**

- 1 Detach the Remote Speaker Microphone (RSM) connector from the radio side connector.
- 2 Keep the dust cover inserted in the audio jack of the RSM when a secondary accessory is not being used.

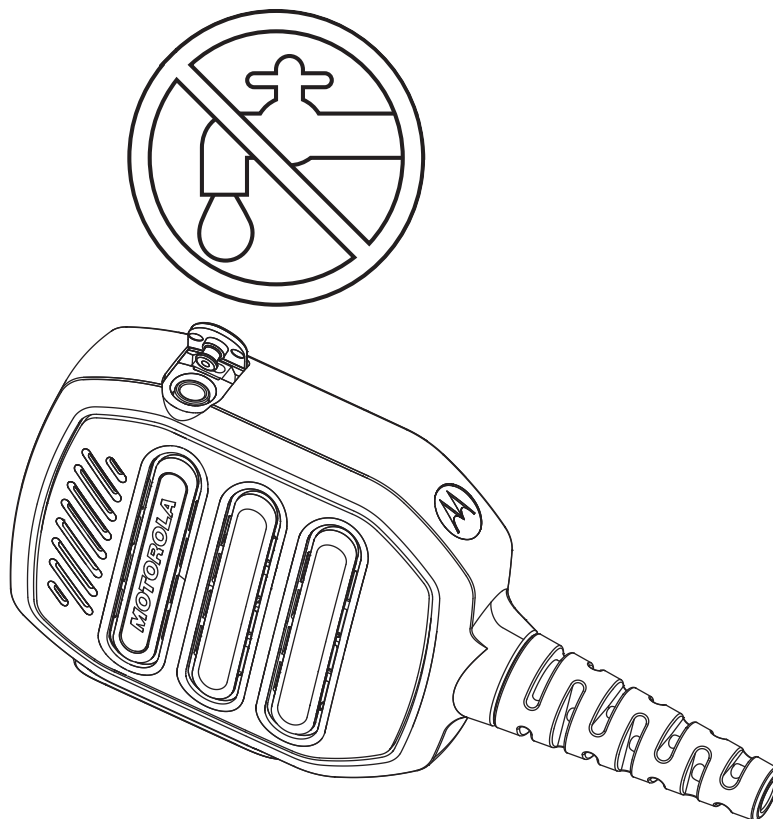
## Chapter 3

# Recommended Practices

This section provides information on the recommended practices for the Remote Speaker Microphone (RSM).

### 3.1

## Common Care



- Cover the audio jack with dust cover when it is not plugged with earpiece. Do not fill water into the audio jack.
- If water enters the audio jack, remove water by shaking the RSM.

3.2

## Transmitting and Receiving

Figure 1: Transmitting

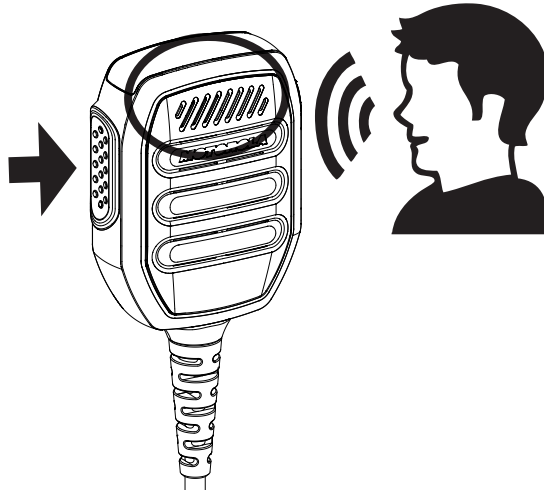


Figure 2: Receiving





3.3

## Recommended RSM Wearing Positions

Figure 3: Recommended Wearing Position



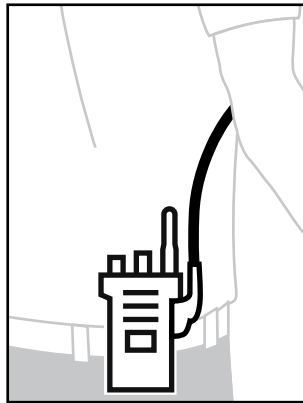
**NOTE:** For better performance, wear the RSM and the device on the same side.

3.4

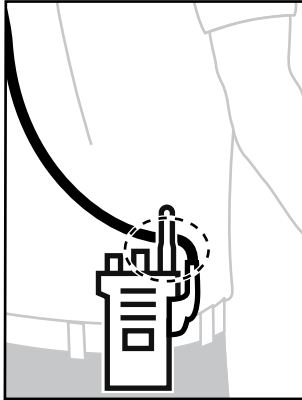
## Cable Management

This section describes the recommended cable position.

Figure 4: Recommended



**Figure 5: Not Recommended**



To ensure optimum range and user experience, it is recommended to avoid crossing accessory cable with the radio antenna.



# Guide d'utilisation du microphone haut-parleur distant avec prise audio de 3,5 mm (IP55) PMMN4148 RM110

**MARS 2023**

© 2023 Motorola Solutions, Inc. All rights reserved



MN009681A01-AA

# Sécurité et aspect juridique

Cette section fournit des renseignements sur la sécurité et l'aspect juridique pour ce produit.

## Propriété intellectuelle et avis réglementaires

### Droits d'auteur

Les produits Motorola Solutions décrits dans ce document peuvent inclure des programmes informatiques protégés par des droits d'auteur de Motorola Solutions. Les lois des États-Unis et d'autres pays réservent à Motorola Solutions certains droits exclusifs pour les programmes informatiques protégés par droits d'auteur. Par conséquent, tout programme informatique protégé par droits d'auteur de Motorola Solutions compris dans les produits Motorola Solutions décrits dans le présent document ne peut être copié ni reproduit de quelque manière que ce soit sans l'autorisation écrite expresse de Motorola Solutions.

Aucune partie du présent document ne peut être reproduite, transmise, stockée dans un système de recherche documentaire ou traduite dans une autre langue ou dans un langage informatique, sous quelque forme ou par quelque moyen que ce soit, sans l'autorisation écrite préalable de Motorola Solutions, Inc.

### Marques de commerce

MOTOROLA, MOTO, MOTOROLA SOLUTIONS et le logo au M stylisé sont des marques de commerce ou des marques déposées de Motorola Trademark Holdings, LLC et sont utilisées sous licence. Toutes les autres marques de commerce sont la propriété de leurs détenteurs respectifs.

### Droits de licence

L'achat de produits Motorola Solutions ne peut être considéré comme une transaction octroyant directement, par inférence, estoppel ou autrement une licence en vertu des droits d'auteur, des droits de brevets ou d'une demande de brevet de Motorola Solutions, à l'exception d'une licence d'utilisation normale et non exclusive, libre de toute redevance, prévue par la loi lors de la vente d'un produit.

### Contenu à code source libre

Ce produit peut contenir des logiciels libres utilisés sous licence. Reportez-vous au support d'installation du produit pour obtenir tous les avis juridiques relatifs aux logiciels libres et aux contenus d'attribution.

### Directive sur la mise au rebut des équipements électriques et électroniques (DEEE) de l'Union européenne (UE) et du Royaume-Uni (RU)



La directive DEEE de l'Union européenne et les réglementations DEEE du Royaume-Uni exigent que les produits (ou leur emballage, dans certains cas) vendus dans les pays de l'UE ou au Royaume-Uni portent l'étiquette de la poubelle barrée. Comme le définit la directive DEEE, cette étiquette de poubelle barrée signifie que les clients et les utilisateurs finaux dans les pays de l'UE et du RU ne doivent pas jeter les équipements électriques et électroniques ou leurs accessoires dans les ordures domestiques.

Les clients ou les utilisateurs finaux dans les pays de l'UE et du RU doivent communiquer avec le représentant ou le centre de service local de leur fournisseur d'équipements pour obtenir des renseignements sur le système de collecte des déchets de leur pays.

## Avis de non-responsabilité

Veillez noter que certaines fonctionnalités, installations et capacités décrites dans ce document pourraient ne pas s'appliquer ou être accordées sous licence pour l'utilisation sur un système particulier ou pourraient dépendre des caractéristiques d'une unité mobile d'abonné ou d'une configuration de certains paramètres. Veuillez consulter votre personne-ressource chez Motorola Solutions pour en savoir plus.

© 2023 Motorola Solutions, Inc. Tous droits réservés

## Radios bidirectionnelles portatives : guide sur la sécurité du produit et l'exposition aux radiofréquences

### MISE EN GARDE :

Avant d'utiliser cet accessoire, lisez le guide, qui contient d'importantes instructions de fonctionnement pour une utilisation sécuritaire et des informations sur l'exposition aux radiofréquences, dans le but d'assurer votre conformité aux normes et règlements en vigueur.

Le microphone haut-parleur distant (RSM), lorsqu'il est branché à la radio, ne doit être utilisé qu'à des fins professionnelles, conformément aux exigences de la FCC et de l'ICNIRP en matière d'exposition aux radiofréquences. Avant d'utiliser ce produit, lisez les informations relatives à l'exposition à l'énergie RF ainsi que le mode d'emploi contenus dans la brochure sur la sécurité du produit et exposition aux radiofréquences fournie avec la radio afin d'assurer sa conformité aux limites d'exposition à l'énergie des radiofréquences.

## Protection de l'ouïe

Une exposition à des bruits forts en provenance de n'importe quelle source pendant de longues périodes pourrait affecter votre audition de manière temporaire ou permanente. Plus le volume sonore de la radio est élevé, plus votre audition peut se détériorer rapidement. Des dommages auditifs dus à l'exposition à des bruits forts peuvent d'abord être indétectables, mais ceux-ci ont parfois des effets cumulatifs. Pour protéger votre audition :

- Réglez le volume le plus bas possible pour effectuer votre travail.
- Montez le volume seulement si vous vous trouvez dans un environnement bruyant.
- Réduisez le volume avant d'ajouter un casque ou un écouteur.
- Limitez la période de temps d'utilisation du casque ou de l'écouteur à volume élevé.
- Lorsque vous utilisez la radio sans casque ni écouteur, ne placez pas le haut-parleur de la radio directement sur votre oreille.
- Si vous ressentez une gêne auditive, si vous entendez des sifflements ou si les conversations sont étouffées, vous devez cesser d'utiliser votre radio avec un casque d'écoute ou une oreillette et consulter votre médecin pour faire vérifier votre audition.

## Service et garantie

Motorola Solutions offre une garantie pour votre RSM. Consultez votre détaillant Motorola Solutions ou votre point de vente pour obtenir des renseignements détaillés.



### REMARQUE :

La garantie sera nulle si le client effectue un remplacement avec des pièces autres que les pièces de rechange indiquées.

## Marques de certification



## Adresse de communication

**Pour l'Union européenne, communiquez avec :**

Motorola Solutions,  
Czerwone Maki 82,  
30-392 Krakow, Pologne

**Pour le Royaume-Uni, communiquez avec :**

Motorola Solutions UK Ltd.,  
Nova South, 160 Victoria Street,  
Londres, SW1E 5LB,  
Royaume-Uni

# Communiquer avec nous

Le centre des opérations de soutien centralisé (« Centralized Managed Support Operations » ou CMSO) est le point de contact principal pour le soutien technique compris dans l'entente de service de votre organisation avec Motorola Solutions.

Les clients disposant d'ententes de service doivent s'assurer d'appeler le CMSO dans toutes les situations énumérées dans la section Responsabilités du client de leur entente de service, notamment :

- Pour confirmer les résultats du dépannage et de l'analyse avant de prendre des mesures

Votre entreprise a reçu les numéros de téléphone du soutien et d'autres coordonnées appropriées pour votre région géographique et votre entente de service. Utilisez ces informations pour obtenir la meilleure réponse possible. Cependant, si nécessaire, vous pouvez également trouver les coordonnées du soutien général sur le site Web de Motorola Solutions, en suivant les étapes ci-dessous :

- 1 Entrez [motorolasolutions.com](http://motorolasolutions.com) dans votre navigateur.
- 2 Vous devez vous assurer que le pays ou la région de votre organisation se trouve sur la page. Cliquez ou appuyez sur le nom de la région pour la changer.
- 3 Sélectionnez « Soutien » à la page [motorolasolutions.com](http://motorolasolutions.com).

## Commentaires

Envoyez vos questions et commentaires sur la documentation destinée aux utilisateurs à l'adresse [documentation@motorolasolutions.com](mailto:documentation@motorolasolutions.com).

Pour signaler une erreur dans la documentation, veuillez fournir les renseignements suivants :

- Le titre du document et le numéro de la pièce
- Le numéro de la page ou le titre de la section contenant l'erreur
- Une description de l'erreur

Motorola offre plusieurs cours conçus pour vous aider à apprendre à utiliser le système. Pour en savoir davantage et consulter la liste des cours actuellement offerts et les parcours technologiques, accédez à <https://learning.motorolasolutions.com>.

# Conventions des icônes

L'ensemble de documentation est conçu pour donner au lecteur plus d'indices visuels. Les icônes suivantes sont utilisées dans tout l'ensemble de documentation.



**DANGER :**

Le mot-indicateur DANGER avec l'icône de sécurité associée comprend de l'information qui, si elle est ignorée, peut entraîner la mort ou des blessures graves.



**AVERTISSEMENT :**

Le mot-indicateur AVERTISSEMENT avec l'icône de sécurité associée comprend de l'information qui, si elle est ignorée, peut entraîner la mort ou des blessures graves ou de graves dommages au produit.



**MISE EN GARDE :**

Le mot-indicateur MISE EN GARDE avec l'icône de sécurité associée comprend de l'information qui, si elle est ignorée, peut entraîner des blessures mineures ou modérées ou de graves dommages au produit.

**MISE EN GARDE :**

Le mot-indicateur MISE EN GARDE peut être utilisé sans l'icône de sécurité pour signaler de possibles blessures ou dommages qui ne sont pas liés au produit.



**IMPORTANT :**

Les énoncés avec le mot-indicateur IMPORTANT contiennent de l'information cruciale sur le sujet abordé, mais ne sont pas des MISES EN GARDE ni des AVERTISSEMENTS. Aucun niveau d'avertissement n'est associé aux énoncés « IMPORTANT ».




**REMARQUE :**

Un AVIS contient des informations plus importantes que le texte avoisinant, comme des exceptions ou des conditions préalables. Les avis peuvent également renvoyer le lecteur ailleurs pour des renseignements supplémentaires, lui rappeler comment effectuer une action (lorsqu'elle ne fait pas partie de la présente procédure, par exemple) ou lui dire où se trouve quelque chose à l'écran. Aucun niveau d'avertissement n'est associé à un avis.



# Conventions de style

Les conventions de style suivantes sont utilisées :

Convention	Description
<b>Gras</b>	Ce type de police est utilisé pour les noms de fenêtres, de touches et d'étiquettes, lorsque ces noms apparaissent à l'écran (par exemple : fenêtre <b>Navigateur d'alarmes</b> ). Lorsqu'il est clair que nous faisons référence, par exemple, à une touche, le nom est utilisé seul (exemple : Cliquez sur <b>OK</b> ).
Monospacing font in bold	Ce type de police est utilisé pour les mots qui doivent être tapés exactement comme ils sont illustrés dans le texte (exemple : Dans le champ <b>Adresse</b> , tapez <code>http://ucs01.ucs:9080/</code> ).
Police à espacement constant	Ce type de police est utilisé pour les messages, les messages-guides et autres textes affichés à l'écran de l'ordinateur (exemple : Une nouvelle destination de rejet a été ajoutée).
<b>&lt;Police à espacement constant en gras italique&gt;</b>	Ce type de police est utilisé avec des crochets en chevron pour identifier un paramètre fictif pour un membre spécifique du groupe que les mots représentent (par exemple : <b>&lt;numéro de routeur&gt;</b> ).   <b>REMARQUE :</b> Dans les séquences à taper, les crochets en chevron sont omis afin d'éviter toute confusion quant à l'inclusion des crochets dans le texte à taper.
LETTRES MAJUSCULES	Ce type de caractères est utilisé pour les touches de clavier (exemple : Appuyez sur Y, puis sur ENTER).
<i>Italique</i>	Ce type de police est utilisé pour les citations. Une citation est habituellement le nom d'un document ou une phrase provenant d'un autre document (par exemple : <i>Présentation du système Dimetra IP</i> ).
→	Un signe → (flèche pointant vers la droite) sert à indiquer la structure de menu ou d'onglet dans les instructions pour sélectionner un élément de menu (par exemple : <b>Fichier</b> → <b>Enregistrer</b> ) ou un sous-onglet particulier.

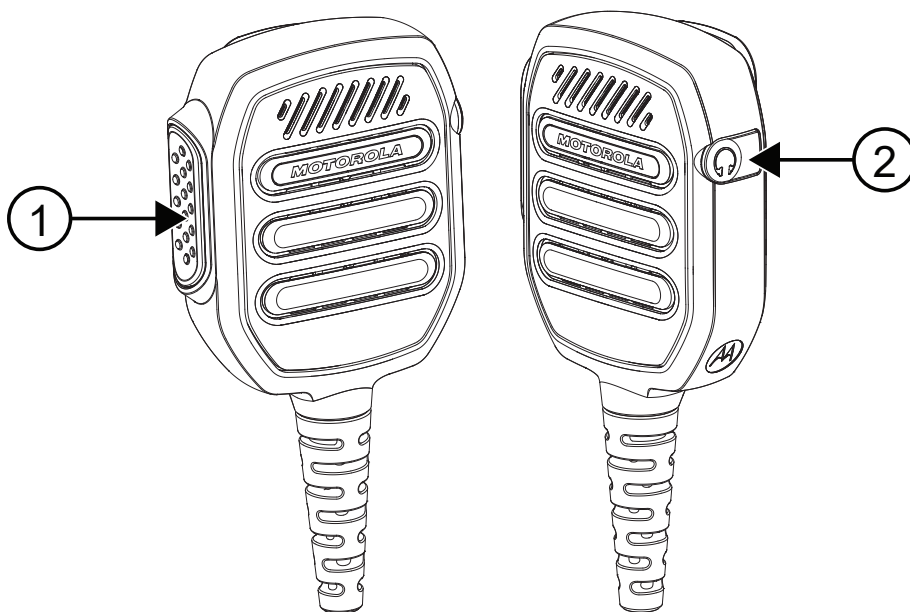
# Table des matières

<b>Sécurité et aspect juridique.....</b>	<b>2</b>
Propriété intellectuelle et avis réglementaires.....	2
Radios bidirectionnelles portatives : guide sur la sécurité du produit et l'exposition aux radiofréquences.....	3
Protection de l'ouïe.....	3
Service et garantie.....	3
Marques de certification.....	4
Adresse de communication.....	4
<b>Communiquer avec nous.....</b>	<b>5</b>
<b>Conventions des icônes.....</b>	<b>6</b>
<b>Conventions de style.....</b>	<b>7</b>
<b>Chapitre 1 : Présentation du produit.....</b>	<b>9</b>
1.1 Accessoires audio secondaires compatibles.....	9
1.2 Pièces de rechange.....	10
1.2.1 Fixation de la pince pivotante.....	11
1.2.2 Retrait de la pince pivotante.....	12
1.2.3 Retrait du cache antipoussière.....	12
1.2.4 Insertion du cache antipoussière.....	13
<b>Chapitre 2 : Instructions d'utilisation.....</b>	<b>14</b>
2.1 Fixation du RSM à la radio.....	14
2.2 Débranchement du RSM de la radio.....	14
<b>Chapitre 3 : Pratiques recommandées.....</b>	<b>15</b>
3.1 Entretien courant.....	15
3.2 Émission et réception.....	16
3.3 Positions de port recommandées du RSM.....	17
3.4 Gestion des câbles.....	17

## Chapitre 1

# Présentation du produit

Ce manuel d'utilisation décrit le microphone haut-parleur distant RM110, avec prise audio de 3,5 mm (IP55), PMMN4148.



Numéro	Description
1	Touche Presser pour Parler
2	Prise d'écouteur 3,5 mm pour réception seulement (non fileté) couverte du cache-poussière

### 1.1

## Accessoires audio secondaires compatibles

N°	Description
PMLN8120	Écouteur à tube transparent xL Rx seulement, prise 3,5 mm

1.2

## Pièces de rechange

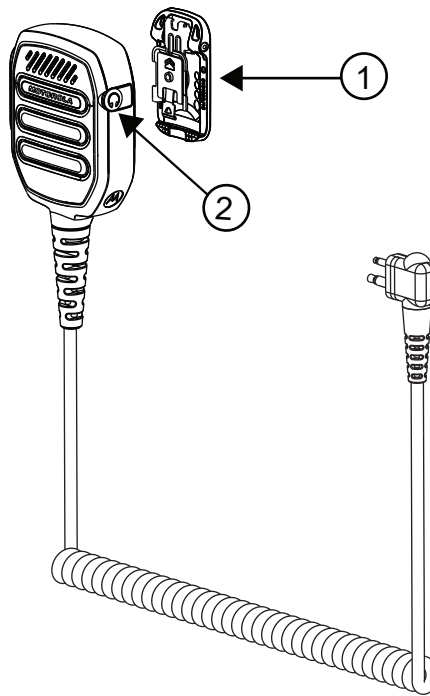
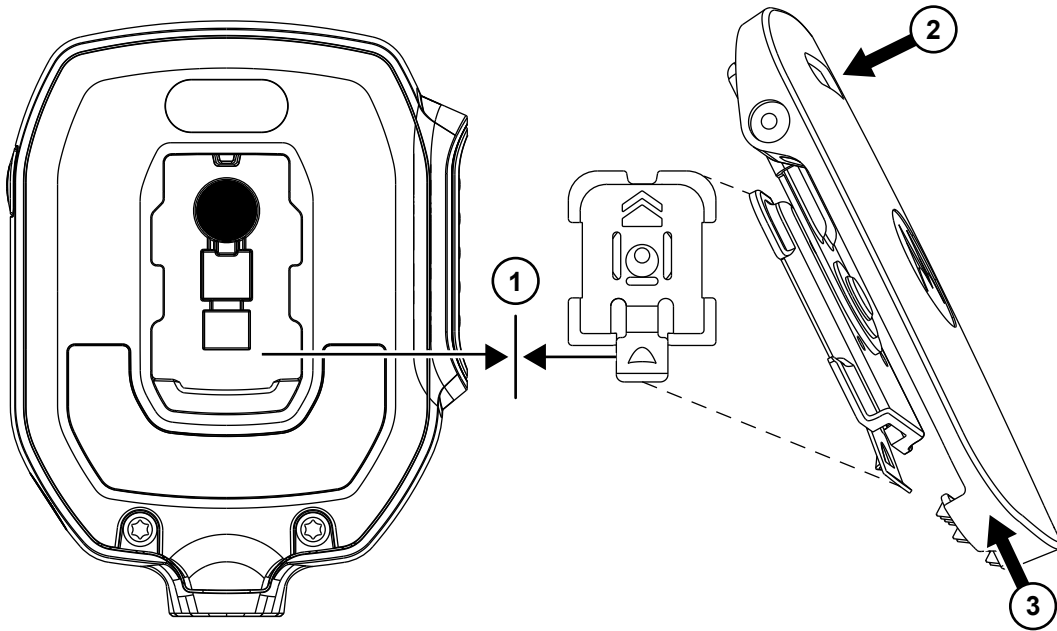


Tableau 1 : Description des pièces de rechange

N°	Description
1	Pince pivotante à profil bas (PMLN8121)
2	Paquet de 10 couvercles de protection (PMLN8253)

1.2.1

## Fixation de la pince pivotante

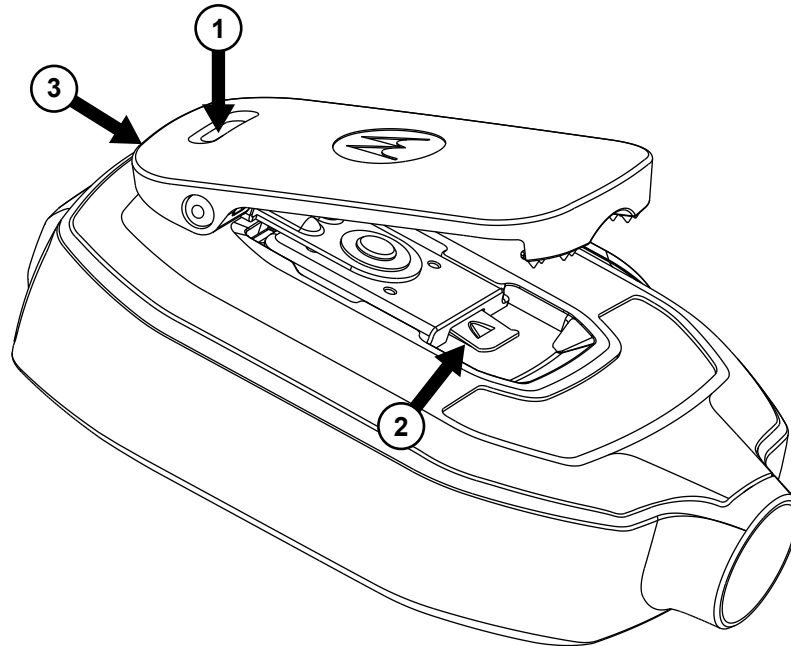


**Procédure :**

- 1 Alignez le loquet de déverrouillage inférieur pour qu'il soit orienté vers le bas.
- 2 Appuyez sur le haut de la pince.
- 3 En même temps, faites glisser la pince vers le haut.

### 1.2.2

## Retrait de la pince pivotante

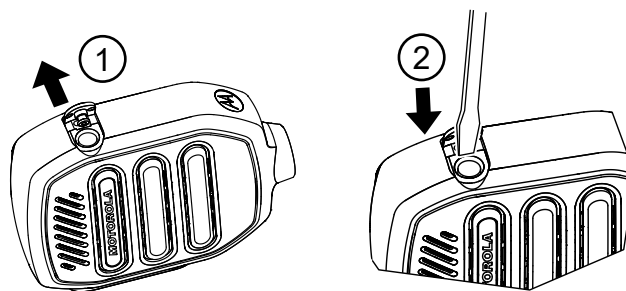


#### Procédure :

- 1 Poussez le haut de la pince pour la placer en position la plus élevée.
- 2 Soulevez le loquet de déverrouillage inférieur.
- 3 Faites glisser la pince pour la retirer.

### 1.2.3

## Retrait du cache antipoussière

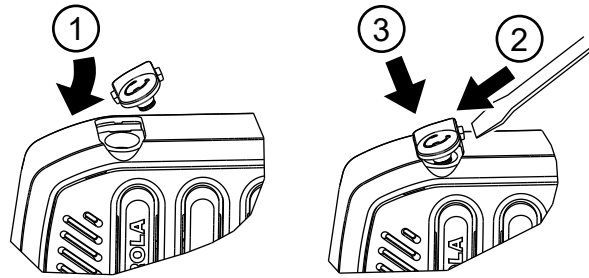


#### Procédure :

- 1 Soulevez le couvercle jusqu'à ce qu'il soit complètement ouvert.
- 2 Insérez un petit outil à embout plat dans la fente et soulevez le couvercle antipoussière.

1.2.4

## Insertion du cache antipoussière



**Procédure :**

- 1 Glissez la patte latérale du couvercle antipoussière dans la fente.
- 2 Poussez le côté opposé avec un petit outil.
- 3 Appuyez simultanément sur le couvercle antipoussière dans le RSM.

## Chapitre 2

# Instructions d'utilisation

Cette section fournit des directives sur l'utilisation de votre microphone haut-parleur distant.

### 2.1

## Fixation du RSM à la radio

### Préalables :

Éteignez votre radio.



### REMARQUE :

Pour assurer un bon fonctionnement, éteignez la radio avant de brancher le RSM sur celle-ci. Le branchement du RSM sur la radio désactive le haut-parleur de la radio, mais ne désactive pas le microphone et la fonction PTT.

### Procédure :

Branchez le connecteur du microphone haut-parleur distant (RSM) sur le connecteur latéral de la radio.

### 2.2

## Débranchement du RSM de la radio

### Préalables :

Éteignez votre radio.

### Où et quand utiliser :

### Procédure :

- 1 Retirez le connecteur du microphone haut-parleur distant (RSM) du connecteur latéral de la radio.
- 2 Laissez le cache-poussière inséré dans la prise audio du RSM lorsqu'un accessoire secondaire n'est pas utilisé.



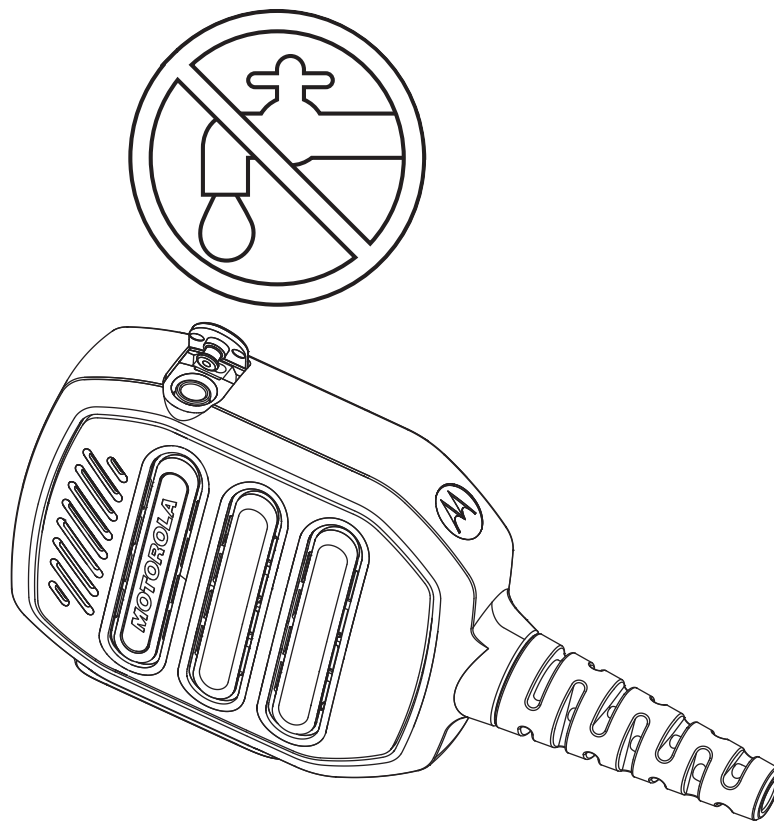
## Chapitre 3

# Pratiques recommandées

Cette section fournit des informations sur les pratiques recommandées du microphone haut-parleur distant (RSM).

### 3.1

## Entretien courant



- Couvrez la prise audio avec le cache-poussière lorsqu'aucun écouteur n'est branché. Ne laissez pas d'eau entrer dans la prise audio.
- Si de l'eau pénètre dans la prise audio, retirez l'eau en secouant le RSM.

### 3.2 Émission et réception

Figure 1 : Transmission

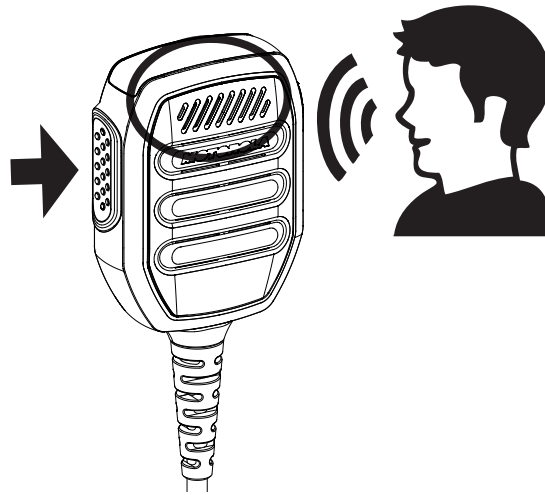


Figure 2 : Réception



### 3.3

## Positions de port recommandées du RSM

Figure 3 : Position de port recommandée



**REMARQUE :**

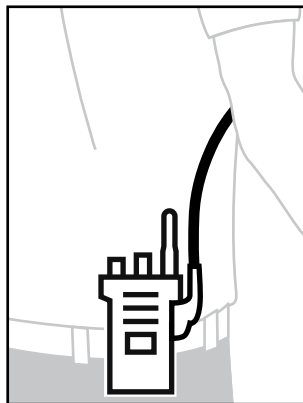
Pour une meilleure performance, portez le RSM et l'appareil du même côté.

### 3.4

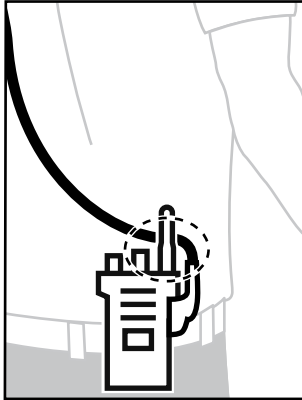
## Gestion des câbles

Cette section décrit la position recommandée du câble.

Figure 4 : Recommandé



**Figure 5 : Non recommandé**



Pour assurer une portée et une expérience utilisateur optimales, il est recommandé d'éviter de croiser un câble d'accessoire avec l'antenne de la radio.



# Guía del usuario del micrófono con altavoz remoto RM110 con conector de audio de 3,5 mm (IP55) PMMN4148

**MARZO 2023**

© 2023 Motorola Solutions, Inc. All rights reserved



MN009681A01-AA

# Protección e información legal

Esta sección contiene información sobre la protección y los aspectos legales de este producto.

## Propiedad intelectual y avisos normativos

### Derechos de autor

Entre los productos Motorola Solutions que se describen en esta documentación, se pueden incluir programas informáticos de Motorola Solutions que están protegidos por derechos de autor. Las leyes de Estados Unidos y de otros países preservan para Motorola Solutions ciertos derechos exclusivos sobre los programas informáticos protegidos por derechos de autor. Del mismo modo, los programas informáticos protegidos por derechos de autor de Motorola Solutions incluidos en los productos de Motorola Solutions descritos en esta guía no se podrán copiar ni reproducir de ninguna forma sin el expreso consentimiento por escrito de Motorola Solutions.

Ninguna parte de este documento se puede reproducir, transmitir, almacenar en un sistema recuperable ni traducir a ningún idioma ni lenguaje informático, de ninguna forma ni por ningún medio, sin la autorización expresa por escrito de Motorola Solutions, Inc.

### Marcas comerciales

MOTOROLA, MOTO, MOTOROLA SOLUTIONS y el logotipo de la M estilizada son marcas comerciales o marcas comerciales registradas de Motorola Trademark Holdings, LLC y se utilizan bajo licencia. Todas las demás marcas comerciales pertenecen a sus respectivos propietarios.

### Derechos de licencia

No se considerará que la compra de productos Motorola Solutions otorgue, en forma directa, implícita, por exclusión ni de ningún otro modo, una licencia sobre los derechos de autor, patentes o solicitudes de patentes de Motorola Solutions, excepto la licencia normal, no exclusiva y libre de regalías de uso que surge por efecto de la ley de la venta de un producto.

### Contenido de código abierto

Este producto puede contener un software de código abierto utilizado bajo licencia. Consulte los medios de instalación del producto para obtener el contenido completo de Atribución y Avisos legales de código abierto.

### Directiva de Residuos de Aparatos Eléctricos y Electrónicos (RAEE) de la Unión Europea (UE) y el Reino Unido (UK)



En la directiva de RAEE de la Unión Europea y el Reino Unido, se exige que los productos que se venden en los países de la UE y en el Reino Unido tengan la etiqueta de un bote de basura tachado sobre el producto (o en el paquete en algunos casos). Como se define en la directiva de RAEE, esta etiqueta con un bote de basura tachado indica que los clientes y los usuarios finales en los países de la UE y el Reino Unido no deben desechar equipos ni accesorios eléctricos y electrónicos en la basura doméstica.

Los clientes o los usuarios finales en los países de la UE y en el Reino Unido deben comunicarse con su representante distribuidor de equipos o centro de servicio locales para obtener información acerca del sistema de recolección de residuos de su país.

## Exención de responsabilidad

Tenga en cuenta que determinadas funciones, características y capacidades que se describen en este documento podrían no ser aplicables o no tener licencia para su uso en un sistema específico, o bien pueden ser dependientes de las características de una unidad de suscriptor móvil específico o la configuración de ciertos parámetros. Comuníquese con un representante de Motorola Solutions para obtener más información.

© 2023 Motorola Solutions, Inc. Todos los derechos reservados.

## Guía de seguridad del producto y la exposición a energía de radiofrecuencia de los radios portátiles de dos vías

### PRECAUCIÓN:

Antes de usar este accesorio, lea esta guía que contiene instrucciones de funcionamiento importantes para un uso seguro del dispositivo e información acerca del conocimiento y el control de la energía de radiofrecuencia a fin de cumplir con las normas y regulaciones correspondientes.

Cuando el micrófono con altavoz remoto (RSM) se conecta al radio, queda restringido solo a uso ocupacional a fin de cumplir los requerimientos de exposición a la energía de radiofrecuencia de FCC/ICNIRP. Antes de usar este producto, lea la información acerca del conocimiento de la energía de radiofrecuencia y las instrucciones de uso en el Folleto de seguridad del producto y la exposición a radiofrecuencia, que se incluye con el radio, para garantizar el cumplimiento de los límites de exposición a la energía de radiofrecuencia.

## Protección acústica

La exposición a ruidos fuertes de cualquier fuente durante períodos prolongados podría afectar la audición de manera temporal o permanente. Cuanto más alto esté el volumen del radio, más rápido se verá afectada la audición. En ocasiones, el daño a la audición provocado por ruidos fuertes es indetectable en un principio y puede tener efecto acumulativo. Para proteger la audición, realice las siguientes acciones:

- Utilice el volumen más bajo que necesite para hacer su trabajo.
- Aumente el volumen solo si se encuentra en un ambiente ruidoso.
- Reduzca el volumen antes de conectar los auriculares o el audífono.
- Restrinja el tiempo durante el cual usa los auriculares o los audífonos con un volumen alto.
- Cuando use el radio sin audífonos o auriculares, no coloque el altavoz del radio directamente en la oreja.
- Si experimenta molestias para escuchar o zumbido en los oídos, o no escucha bien cuando le hablan, debe dejar de escuchar el radio a través del audífono o auricular y pedirle a un médico que examine su audición.

## Servicio y garantía

Motorola Solutions ofrece garantía para su RSM. Consulte a su distribuidor o punto de venta de Motorola Solutions para obtener información detallada.



### NOTA:

Se anulará la garantía en caso de que el cliente remplace cualquiera de las piezas por otras distintas de las que aparecen en la lista de piezas de repuesto.

## Marcas de certificación



## Dirección de contacto

### Contacto de la Unión Europea

Motorola Solutions,  
Czerwone Maki 82,  
30-392 Cracovia, Polonia

### Contacto del Reino Unido

Motorola Solutions UK Ltd.,  
Nova South, 160 Victoria Street,  
Londres, SW1E 5LB,  
Reino Unido



# Comuníquese con nosotros

El equipo de Operaciones centralizadas de soporte administrado (CMSO) es el principal contacto para solicitar la asistencia técnica incluida en el contrato de servicio de su organización con Motorola Solutions.

Los clientes con contrato de servicio deben llamar a CMSO en todas las situaciones que se mencionan en la sección "Responsabilidades del cliente" de su contrato, por ejemplo:

- Para confirmar los resultados y el análisis de la solución de problemas antes de tomar medidas.

Su organización recibió números telefónicos de asistencia y otros datos de contacto de acuerdo con su región geográfica y contrato de servicio. Use esa información de contacto para obtener una respuesta más eficaz. Sin embargo, si es necesario, también puede encontrar información de contacto de asistencia general en el sitio web de Motorola Solutions si sigue estos pasos:

- 1 Ingrese a [motorolasolutions.com](https://motorolasolutions.com) en su navegador.
- 2 Asegúrese de que el país o la región de su organización aparezcan en la página. Haga clic en el nombre de la región o presiónela para cambiarla.
- 3 Seleccione "Soporte" en la página [motorolasolutions.com](https://motorolasolutions.com).

## Comentarios

Envíe preguntas y comentarios sobre la documentación del usuario a [documentation@motorolasolutions.com](mailto:documentation@motorolasolutions.com).

Proporcione la siguiente información cuando informe sobre un error de documentación:

- El título del documento y el número de pieza.
- El número de página o el título de la sección que contiene el error.
- Una descripción del error.

Motorola Solutions ofrece diversos cursos diseñados para ayudar a conocer el sistema. Para obtener información, vaya a <https://learning.motorolasolutions.com> a fin de ver las ofertas de cursos actuales y las rutas tecnológicas.

# Convenciones de íconos

El conjunto de documentación está diseñado para proporcionarle al lector indicaciones visuales adicionales. Los siguientes íconos gráficos se usan en todo el conjunto de documentación.



**PELIGRO:**

La palabra de señal PELIGRO con el ícono de protección asociado indica información que, si se ignora, provocará la muerte o heridas graves.



**ADVERTENCIA:**

La palabra de señal ADVERTENCIA con el ícono de protección asociado indica información que, si se ignora, puede provocar la muerte, heridas graves o un daño grave al producto.



**PRECAUCIÓN:**

La palabra de señal PRECAUCIÓN con el ícono de protección asociado indica información que, si se ignora, podría provocar heridas leves o moderadas, o un daño grave al producto.

**PRECAUCIÓN:**

La palabra de señal PRECAUCIÓN puede usarse sin el ícono de protección para indicar posibles daños o heridas no relacionados con el producto.



**IMPORTANTE:**

Las declaraciones identificadas con la palabra IMPORTANTE contienen información que es fundamental para el tema tratado, pero que no se considera una PRECAUCIÓN ni una ADVERTENCIA. No hay ningún nivel de advertencia asociado con la declaración IMPORTANTE.




**NOTA:**

El AVISO contiene información más importante que el texto circundante, como excepciones o condiciones previas. En los avisos, también se dirige al lector a información adicional, se le recuerda cómo completar una acción (por ejemplo, cuando no es parte del procedimiento actual) o se le indica dónde está algo en la pantalla. No hay ningún nivel de advertencia asociado con un aviso.

# Convenciones de estilo

Se utilizan las siguientes convenciones de estilo:

Convención	Descripción
<b>Negrita</b>	Este tipo de letra se usa para nombres (por ejemplo: nombres de ventanas, botones y etiquetas) cuando aparecen en la pantalla (por ejemplo: la ventana <b>Navegador de alarmas</b> ). Cuando está claro que nos referimos, por ejemplo, a un botón, el nombre se usa solo (por ejemplo: haga clic en <b>Aceptar</b> ).
Monospacing font in bold	Este tipo de letra se utiliza para palabras que se escriben exactamente como se muestran en el texto (por ejemplo: en el campo <b>Dirección</b> , escriba <code>http://ucs01.ucs:9080/</code> ).
Fuente monoespaciada	Este tipo de letra se utiliza para mensajes, indicaciones y otros tipos de texto que se muestran en la pantalla de la computadora (por ejemplo: se agregó un nuevo destino de captura).
<Fuente monoespaciada en negrita y cursiva>	Este tipo de letra se utiliza con paréntesis angulares como marcadores de posición para un miembro específico del grupo que las palabras representan (por ejemplo: <número de enrutador>).
	 <b>NOTA:</b> En las secuencias que se van a escribir, los paréntesis angulares se omiten para evitar alguna confusión con respecto a si se deben incluir los paréntesis angulares en el texto que se va a escribir.
MAYÚSCULAS	Este tipo de letra se utiliza para indicar teclas del teclado (por ejemplo: presione Y; luego, INTRO).
<i>Cursiva</i>	Este tipo de letra se usa para citas. Una cita suele ser el nombre de un documento o una frase de otro documento (por ejemplo: <i>Descripción general del sistema Dimetra IP</i> ).
→	Una → (flecha hacia la derecha) se utiliza para indicar la estructura de menú o pestaña en las instrucciones sobre cómo seleccionar un determinado elemento del menú (por ejemplo: <b>Archivo</b> → <b>Guardar</b> ) o una subpestaña determinada.

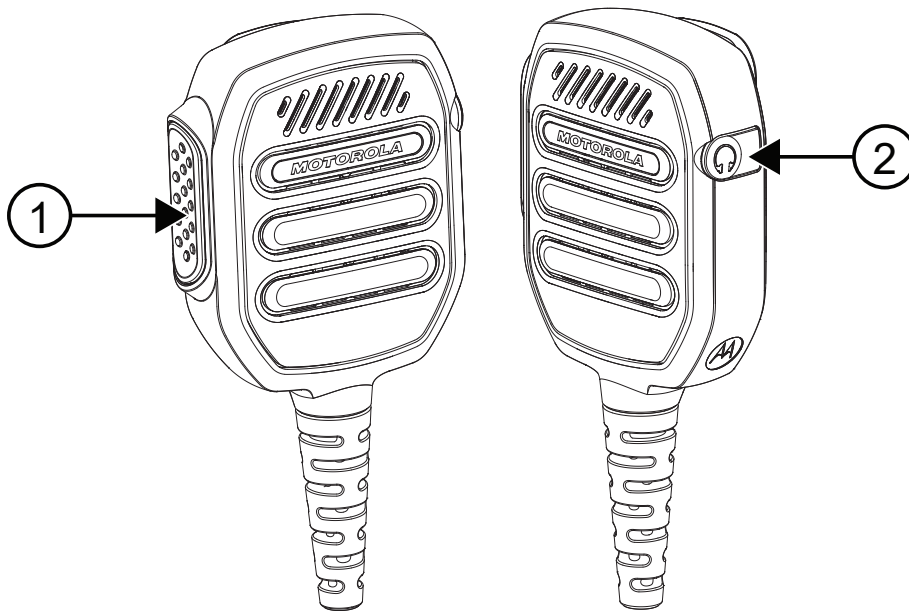
# Contenido

<b>Protección e información legal.....</b>	<b>2</b>
Propiedad intelectual y avisos normativos.....	2
Guía de seguridad del producto y la exposición a energía de radiofrecuencia de los radios portátiles de dos vías.....	3
Protección acústica.....	3
Servicio y garantía.....	3
Marcas de certificación.....	4
Dirección de contacto.....	4
<b>Comuníquese con nosotros.....</b>	<b>5</b>
<b>Convenciones de íconos.....</b>	<b>6</b>
<b>Convenciones de estilo.....</b>	<b>7</b>
<b>Capítulo 1: Descripción general del producto.....</b>	<b>9</b>
1.1 Accesorios de audio secundarios compatibles.....	9
1.2 Piezas de repuesto.....	10
1.2.1 Instalación del clip giratorio.....	11
1.2.2 Desconexión del clip giratorio.....	12
1.2.3 Extracción de la cubierta antipolvo.....	12
1.2.4 Inserción de la cubierta antipolvo.....	13
<b>Capítulo 2: Instrucciones de funcionamiento.....</b>	<b>14</b>
2.1 Conexión del RSM al radio.....	14
2.2 Desconexión del RSM del radio.....	14
<b>Capítulo 3: Prácticas recomendadas.....</b>	<b>15</b>
3.1 Cuidado habitual.....	15
3.2 Transmisión y recepción.....	16
3.3 Posiciones de uso del RSM recomendadas.....	17
3.4 Administración de cables.....	17

## Capítulo 1

# Descripción general del producto

En esta guía del usuario, se describe el micrófono con altavoz remoto RM110 con conector de audio de 3,5 mm (IP55) PMMN4148 .



Número	Descripción
1	Botón Push-to-Talk
2	Conector de audio de 3,5 mm (no roscado) solo para recepción, cubierto por tapa antipolvo

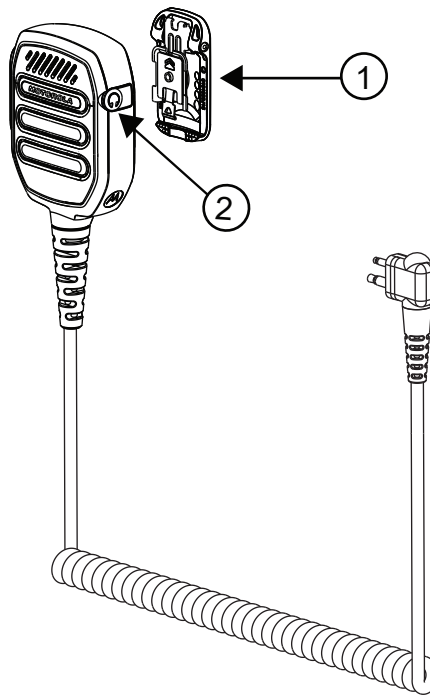
### 1.1

## Accesorios de audio secundarios compatibles

Número	Descripciones
PMLN8120	Auricular de tubo transparente XL, solo RX, conector de 3,5 mm

1.2

## Piezas de repuesto

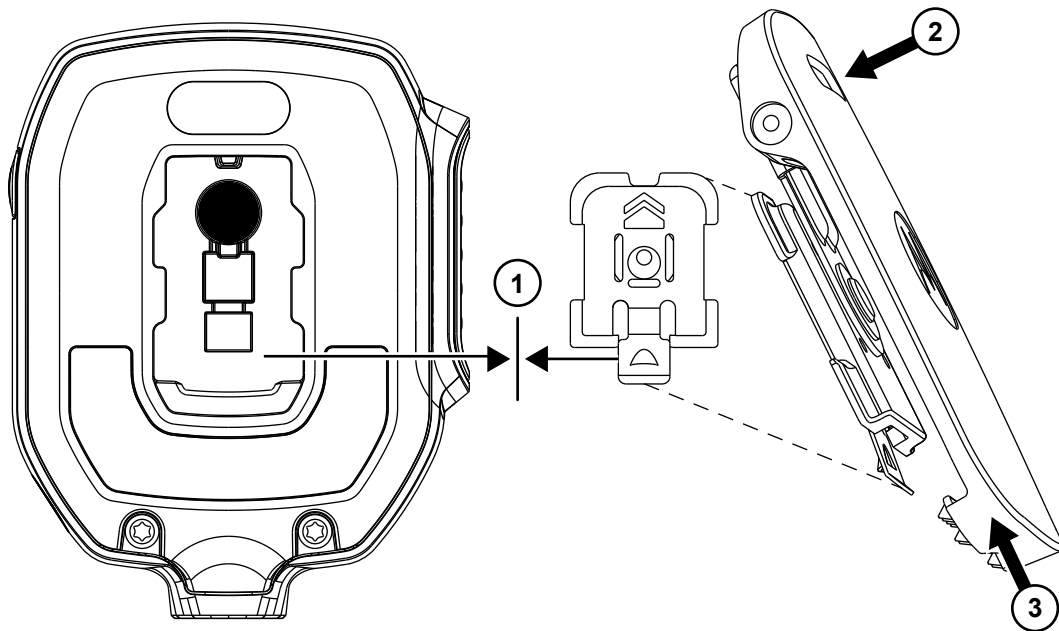


Mesa 1: Descripciones de piezas de repuesto

Número	Descripciones
1	Clip giratorio de bajo perfil (PMLN8121)
2	Cubierta antipolvo, 10 piezas/paquete (PMLN8253)

1.2.1

## Instalación del clip giratorio

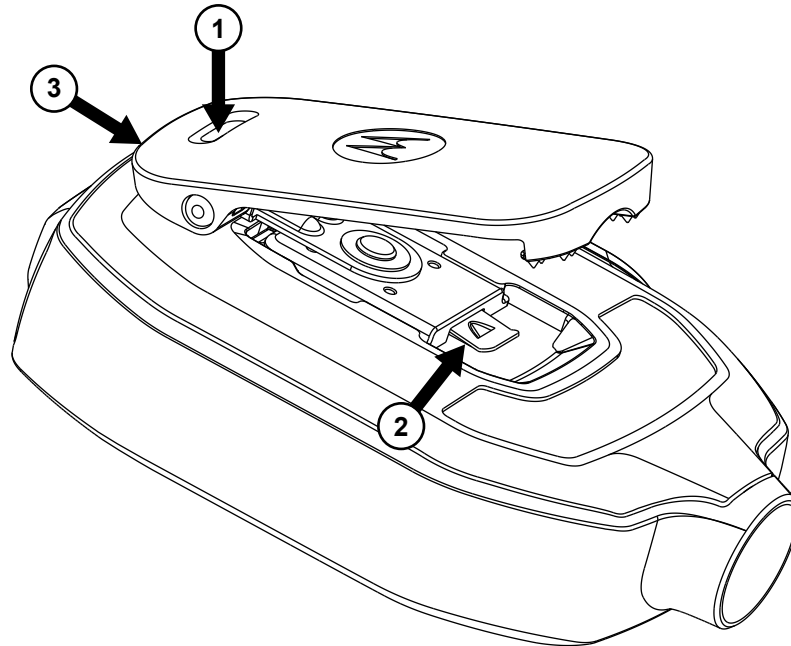


**Procedimiento:**

- 1 Alinee el pestillo de liberación inferior hacia abajo.
- 2 Empuje hacia abajo la parte superior del clip.
- 3 Simultáneamente, deslice el clip hacia arriba.

### 1.2.2

## Desconexión del clip giratorio

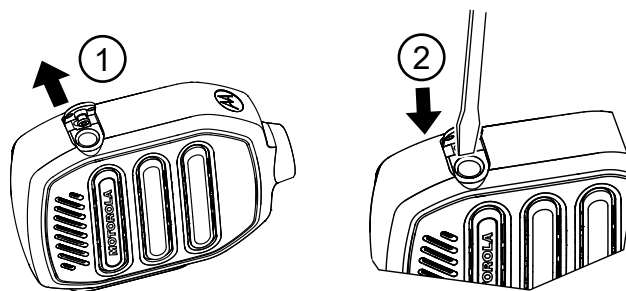


#### Procedimiento:

- 1 Presione la parte superior del clip para levantarlo hasta la posición más alta.
- 2 Levante el pestillo de liberación inferior.
- 3 Deslice el clip para quitarlo.

### 1.2.3

## Extracción de la cubierta antipolvo



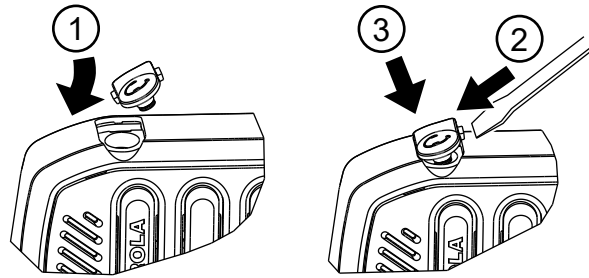
#### Procedimiento:

- 1 Levante la cubierta antipolvo hasta que esté completamente abierta.
- 2 Inserte una pequeña herramienta de punta plana en el hueco y retire la cubierta antipolvo.



#### 1.2.4

### Inserción de la cubierta antipolvo



#### Procedimiento:

- 1 Deslice la lengüeta lateral de la cubierta antipolvo en la ranura del hueco.
- 2 Empuje el lado opuesto con una herramienta pequeña.
- 3 Empuje simultáneamente la cubierta antipolvo en el RSM.

## Capítulo 2

# Instrucciones de funcionamiento

En esta sección, se proporcionan pautas sobre cómo utilizar el micrófono con altavoz remoto.

### 2.1

## Conexión del RSM al radio

### Requisitos:

Apague el radio.



### NOTA:

Para garantizar un correcto funcionamiento, apague el radio antes de conectar el RSM al radio. Conectar el RSM al radio desactiva el altavoz del radio, pero no desactiva el micrófono ni el botón PTT del radio.

### Procedimiento:

Enchufe el conector del micrófono con altavoz remoto (RSM) al conector lateral del radio.

### 2.2

## Desconexión del RSM del radio

### Requisitos:

Apague el radio.

### Cuándo y dónde se utilizan:

### Procedimiento:

- 1 Desconecte el conector del micrófono con altavoz remoto (RSM) del conector lateral del radio.
- 2 Mantenga la cubierta antipolvo insertada en el conector de audio del RSM cuando no utilice un accesorio secundario.

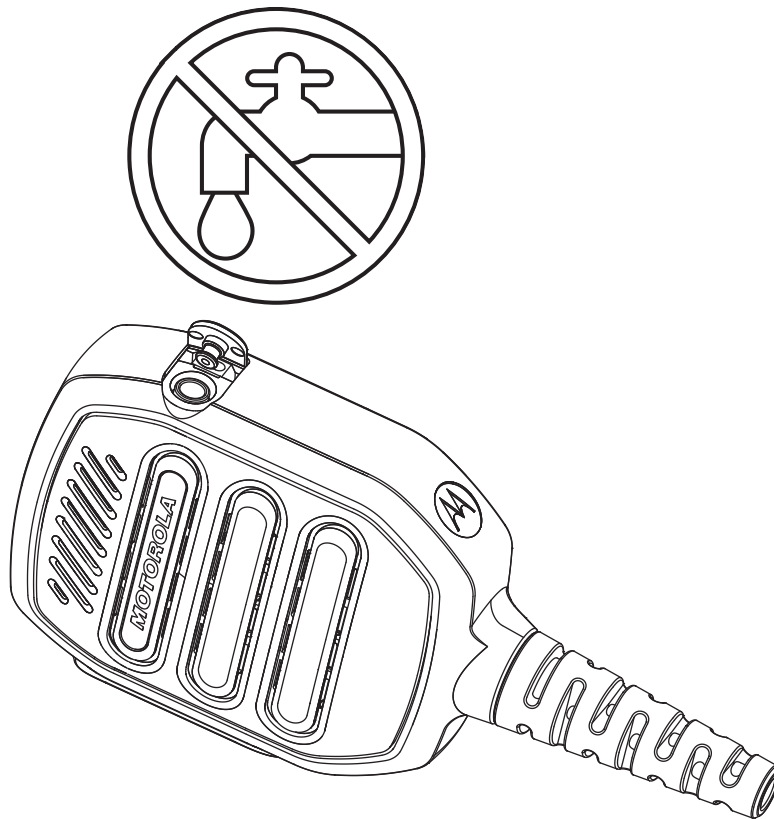
## Capítulo 3

# Prácticas recomendadas

En esta sección, se proporciona información sobre las prácticas recomendadas con respecto al micrófono con altavoz remoto (RSM).

### 3.1

## Cuidado habitual



- Cubra el conector de audio con la cubierta antipolvo cuando no esté conectado a un auricular. No ponga el conector de audio en contacto con el agua.
- Si entra agua en el conector de audio, sacuda el RSM para quitar el agua.

3.2

## Transmisión y recepción

Figura 1: Transmitiendo

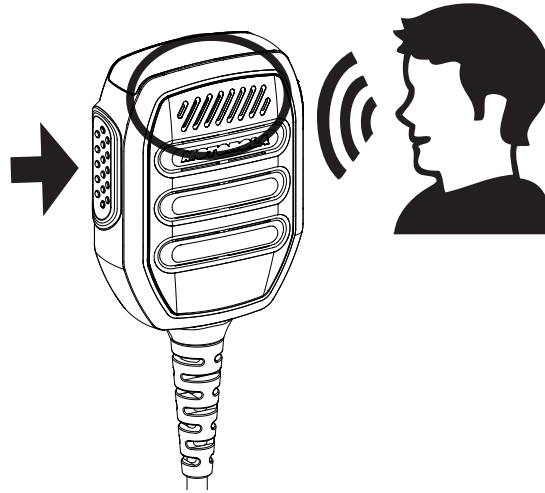


Figura 2: Recibiendo



### 3.3

## Posiciones de uso del RSM recomendadas

Figura 3: Posición de uso recomendada



**NOTA:**

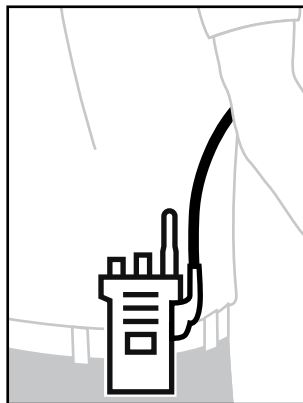
Para obtener un mejor rendimiento, use el RSM y el dispositivo en el mismo lado.

### 3.4

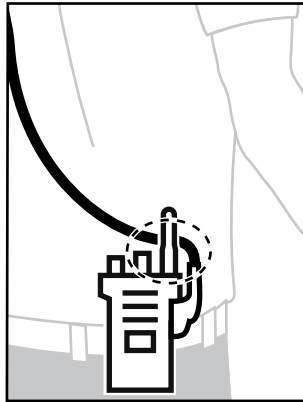
## Administración de cables

En esta sección, se describe la posición recomendada del cable.

Figura 4: Recomendada



**Figura 5: No recomendada**



Para garantizar un alcance y una experiencia de usuario óptimos, se recomienda evitar cruzar el cable accesorio con la antena del radio.



# Guia do usuário do microfone com alto- falante remoto com entrada de áudio de 3,5 mm (IP55) RM110 PMMN4148

**MARÇO 2023**

© 2023 Motorola Solutions, Inc. All rights reserved



MN009681A01-AA

# Informações jurídicas e de segurança

Esta seção traz informações jurídicas e de segurança relacionadas a este produto.

## Propriedade intelectual e comunicados regulatórios

### Direitos autorais

Os produtos da Motorola Solutions descritos neste documento podem incluir programas de computador da Motorola Solutions protegidos por direitos autorais. As leis dos Estados Unidos e de outros países garantem determinados direitos exclusivos da Motorola Solutions que envolvem programas de computador protegidos por direitos autorais. Sendo assim, nenhum programa de computador protegido por direitos autorais da Motorola Solutions incluído nos produtos da Motorola Solutions descritos neste documento pode ser copiado ou reproduzido, de qualquer forma, sem permissão expressa por escrito da Motorola Solutions.

Nenhuma parte deste documento pode ser reproduzida, transmitida, armazenada em sistema de recuperação ou traduzida para qualquer idioma ou linguagem de computador, de forma nenhuma nem por nenhum meio, sem permissão prévia por escrito da Motorola Solutions, Inc.

### Marcas registradas

MOTOROLA, MOTO, MOTOROLA SOLUTIONS e o logotipo “M” estilizado são marcas comerciais ou registradas da Motorola Trademark Holdings, LLC e são utilizadas sob licença. Todas as demais marcas comerciais pertencem aos seus respectivos proprietários.

### Direitos de licença

A aquisição de produtos da Motorola Solutions não pressupõe garantia, explícita ou implícita, por impedimento ou qualquer outra forma, de qualquer licença de direito autoral, patente ou aplicação de patente da Motorola Solutions, exceto a licença de uso regular não exclusiva, isenta de exploração de patente concedida por força de lei na venda de um produto.

### Conteúdo de código aberto

Este produto pode conter software de código aberto usado conforme licença. Consulte na mídia de instalação do produto o conteúdo completo sobre Atribuições e comunicados jurídicos de código aberto.

### Diretiva WEEE (Waste of Electrical and Electronic Equipment, resíduos de equipamentos elétricos e eletrônicos) da UE (União Europeia) e do Reino Unido



A diretiva WEEE da União Europeia e a regulamentação WEEE do Reino Unido exigem que os produtos vendidos nos países da União Europeia e do Reino Unido exibam a etiqueta de lixeira cruzada no produto (ou na embalagem, em alguns casos). Conforme definido pela diretiva WEEE, essa etiqueta de lixeira cruzada indica que os clientes e os usuários finais nos países da União Europeia e do Reino Unido não podem descartar equipamentos ou acessórios elétricos ou eletrônicos em lixo doméstico.

Os clientes ou usuários finais dos países da União Europeia e do Reino Unido devem entrar em contato com o representante do fornecedor do equipamento ou o centro de assistência local para obter informações sobre o sistema de coleta de lixo em seu país.



## Isenção de responsabilidade

Observe-se que alguns recursos e capacidades descritos neste documento podem não ser pertinentes ou licenciados para uso em um sistema específico ou podem depender das características de uma determinada unidade de rádio móvel ou da configuração de determinados parâmetros. Consulte seu contato da Motorola Solutions para mais informações.

© 2023 Motorola Solutions, Inc. Todos os direitos reservados

## Guia de exposição à energia de RF e segurança do produto para rádios bidirecionais portáteis

### ATENÇÃO:

Antes de usar o acessório, leia este guia com instruções operacionais importantes para uso seguro e informações sobre energia de RF (Radio Frequency, radiofrequência) e controle de exposição, a fim de atender a normas e regulamentações pertinentes.

Quando conectado ao rádio, o RSM fica restrito apenas ao uso profissional para cumprir requisitos de exposição à energia de RF da FCC/ICNIRP. Antes de usar este produto, leia as informações sobre energia de RF e as instruções de operação no manual de segurança do produto e de exposição à RF que acompanha o rádio, para garantir o cumprimento dos limites de exposição à energia de RF.

## Segurança acústica

A exposição a ruídos muito altos de qualquer origem por longos períodos pode prejudicar sua audição temporária ou permanentemente. Quanto mais alto for o volume do rádio, menos tempo será necessário para prejudicar sua audição. Às vezes, danos auditivos causados por ruídos fortes não são detectados em sua fase inicial e podem ter efeito cumulativo. Para proteger sua audição:

- Use o volume mais baixo possível para a execução da sua tarefa.
- Aumente o volume somente se estiver em ambientes barulhentos.
- Reduza o volume antes de conectar o headset ou o fone de ouvido.
- Limite o tempo de uso de headsets ou fones de ouvido com volume alto.
- Ao usar o rádio sem monofones ou fones de ouvido, não coloque o alto-falante do rádio diretamente em contato com seus ouvidos.
- Se sentir algum desconforto auditivo, zumbidos ou sons abafados, pare de ouvir o rádio através do headset ou fone de ouvido e consulte um médico.

## Serviço e garantia

A Motorola Solutions oferece garantia para seu RSM. Consulte seu revendedor ou um ponto de venda da Motorola Solutions para obter informações detalhadas.



### OBSERVAÇÃO:

Caso o cliente substitua qualquer peça por alguma que não conste na lista de peças de substituição, a garantia será invalidada.

## Marcas de certificação



## Endereço de contato

### **Contato da União Europeia**

Motorola Solutions,  
Czerwone Maki 82,  
30-392 Cracóvia, Polónia

### **Contato do Reino Unido**

Motorola Solutions UK Ltd.,  
Nova South, 160 Victoria Street,  
Londres, SW1E 5LB,  
Reino Unido

# Fale conosco

O CMSO (Centralized Managed Support Operations, centro de operações de suporte técnico gerenciado) é o principal contato para suporte técnico incluído no contrato de serviço da sua organização com a Motorola Solutions.

Clientes do contrato de serviço devem fazer uma chamada para o CMSO em todas as situações listadas na seção responsabilidades do cliente do contrato, tais como:

- Para confirmar os resultados e as análises da solução de problemas antes de agir

Sua organização recebeu números de telefone de suporte e outras informações de contato apropriadas para sua região geográfica e seu contrato de serviço. Use estas informações de contato para obter a resposta mais eficiente. No entanto, se necessário, também é possível encontrar informações gerais de contato de suporte no site da Motorola Solutions seguindo estas etapas:

- 1 Digite [motorolasolutions.com](https://motorolasolutions.com) no navegador.
- 2 Verifique se o país ou a região da organização é exibido na página. Clique ou toque no nome da região para alterá-lo, caso necessário.
- 3 Na página [motorolasolutions.com](https://motorolasolutions.com), selecione "Suporte".

## Comentários

Envie as perguntas e os comentários sobre a documentação do usuário para [documentation@motorolasolutions.com](mailto:documentation@motorolasolutions.com).

Dê as seguintes informações ao relatar um erro na documentação:

- Título do documento e número da peça
- Número da página ou título da seção com o erro
- Descrição do erro

A Motorola Solutions oferece diversos cursos projetados para auxiliar na aprendizagem do sistema. Para informações, acesse <https://learning.motorolasolutions.com> e veja as ofertas de cursos atuais e os caminhos de tecnologia.

# Convenções de ícones

O conjunto de documentação foi criado para oferecer mais dicas visuais ao leitor. Os ícones gráficos a seguir são usados em todo o conjunto de documentação.



**PERIGO:**

A palavra de sinalização PERIGO com o respectivo ícone de segurança indica informações que, se desconsideradas, podem resultar em morte ou ferimentos graves.



**AVISO:**

A palavra de sinalização AVISO com o respectivo ícone de segurança indica informações que, se desconsideradas, podem resultar em morte, ferimentos graves ou, ainda, danos graves ao produto.



**ATENÇÃO:**

A palavra de sinalização CUIDADO com o respectivo ícone de segurança indica informações que, se desconsideradas, podem causar ferimentos de gravidade menor ou moderada ou, ainda, danos graves ao produto.

**ATENÇÃO:**

A palavra de sinalização CUIDADO poderá ser usada sem o ícone de segurança para indicar possíveis danos ou riscos de ferimento não relacionados ao produto.



**INFORMAÇÕES:**

Declarações IMPORTANTES contêm informações essenciais para o assunto em questão, mas que não são classificadas com o termo ATENÇÃO ou AVISO. Não há nenhum nível de aviso associado a uma declaração classificada como IMPORTANTE.




**OBSERVAÇÃO:**

OBSERVAÇÃO contém informações mais importantes do que o texto ao redor, como exceções ou condições. Esse ícone também indica outros locais para o leitor consultar informações adicionais, lembra ao leitor sobre como concluir uma ação (quando a ação não faz parte do procedimento atual, por exemplo) ou informa o leitor sobre a localização de algum item na tela. Não há nenhum nível de aviso associado a uma observação.

# Convenções de estilo

As seguintes convenções de estilo são utilizadas:

Convenção	Descrição
<b>Negrito</b>	Esta família tipográfica é usada, por exemplo, em nomes de janelas, botões e etiquetas quando esses nomes aparecem na tela (exemplo: a janela <b>Navegador de alarmes</b> ). Quando é óbvio que estamos nos referindo a, por exemplo, um botão, o nome é utilizado sozinho (exemplo: Clique em <b>OK</b> ).
Monospacing font in bold	Esta família tipográfica é usada para que as palavras sejam digitadas exatamente como serão exibidas no texto (por exemplo: no campo <b>Endereço</b> , digite <code>http://ucs01.ucs:9080/</code> ).
Fonte monoespçada	Esta família tipográfica é usada para mensagens, comandos e outros textos exibidos na tela do computador (por exemplo: <code>novo destino de interceptação foi adicionado</code> ).
<i>&lt;Fonte monoespçada em negrito e itálico&gt;</i>	Esta família tipográfica é usada com parênteses angulares que devem ser substituídos por um membro específico do grupo que as palavras representam (exemplo: <i>&lt;número do roteador&gt;</i> ).   <b>OBSERVAÇÃO:</b> em sequências que devem ser digitadas, os parênteses angulares são omitidos para evitar confusões quanto a se eles devem ser incluídos ou não no texto que será digitado.
LETRAS MAIÚSCULAS	Esta família tipográfica é usada para teclas de teclado (por exemplo: Aperte Y e aperte ENTER).
<i>Itálico</i>	Esta família tipográfica é usada em citações. A citação, geralmente, é o nome de um documento ou uma frase de outro documento (exemplo: <i>Visão geral do sistema DIMETRA IP</i> ).
→	Uma → (seta apontando para a direita) é usada para indicar o menu ou a estrutura de guia nas instruções sobre como selecionar determinado item do menu (exemplo: <b>File</b> → <b>Save</b> ) ou determinada subguia.

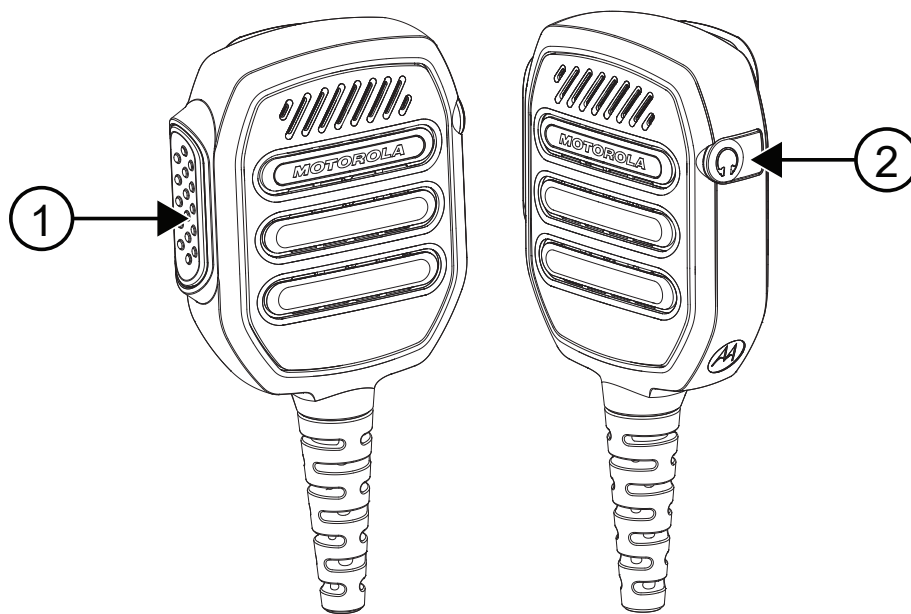
# Índice

<b>Informações jurídicas e de segurança.....</b>	<b>2</b>
Propriedade intelectual e comunicados regulatórios.....	2
Guia de exposição à energia de RF e segurança do produto para rádios bidirecionais portáteis	3
Segurança acústica.....	3
Serviço e garantia.....	3
Marcas de certificação.....	3
Endereço de contato.....	4
<b>Fale conosco.....</b>	<b>5</b>
<b>Convenções de ícones.....</b>	<b>6</b>
<b>Convenções de estilo.....</b>	<b>7</b>
<b>Capítulo 1: Visão geral do produto.....</b>	<b>9</b>
1.1 Acessórios de áudio secundários compatíveis.....	9
1.2 Peças de reposição.....	10
1.2.1 Acoplamento do clipe giratório.....	11
1.2.2 Desconectar o clipe giratório.....	12
1.2.3 Remoção da tampa de proteção contra poeira.....	12
1.2.4 Inserção da tampa de proteção contra poeira.....	13
<b>Capítulo 2: Instruções operacionais.....</b>	<b>14</b>
2.1 Encaixar o RSM ao Rádio.....	14
2.2 Desencaixe o RSM do rádio.....	14
<b>Capítulo 3: Práticas recomendadas.....</b>	<b>15</b>
3.1 Cuidados comuns.....	15
3.2 Transmissão e Recepção.....	16
3.3 Posições recomendadas de uso do RSM.....	17
3.4 Controle de cabos.....	17

## Capítulo 1

# Visão geral do produto

Este manual do usuário descreve o microfone com alto-falante remoto, com entrada de áudio de 3,5 mm (IP55) RM110, PMMN4148.



Número	Descrição
1	Botão Push-To-Talk
2	Entrada de áudio somente de recepção de 3,5 mm (não rosqueada) coberta por tampa contra poeira

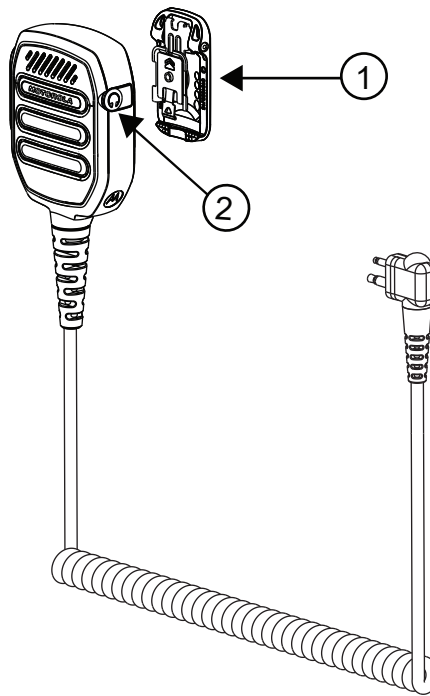
### 1.1

## Acessórios de áudio secundários compatíveis

Não	Descrições
PMLN8120	Fone de ouvido extra-alto com tubo acústico, somente recepção, entrada de 3,5 mm

1.2

## Peças de reposição



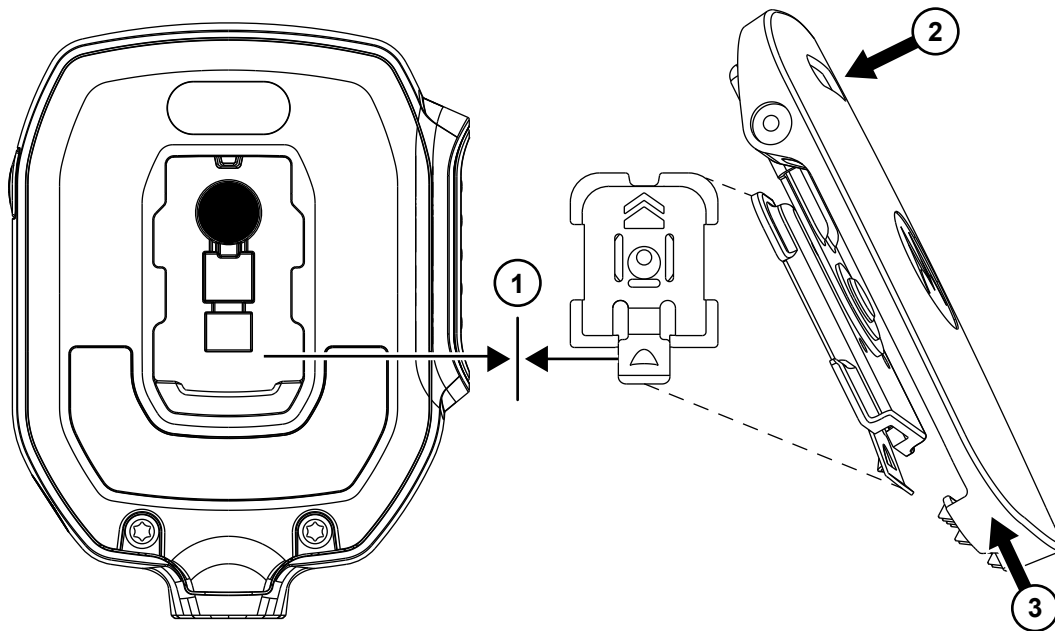
Acima 1: Chamadas de peças de reposição

<b>Não</b>	<b>Descrições</b>
1	Clipe giratório de baixo perfil (PMLN8121)
2	Tampa de proteção 10 pçs./pacote (PMLN8253)



### 1.2.1

## Acoplamento do clipe giratório

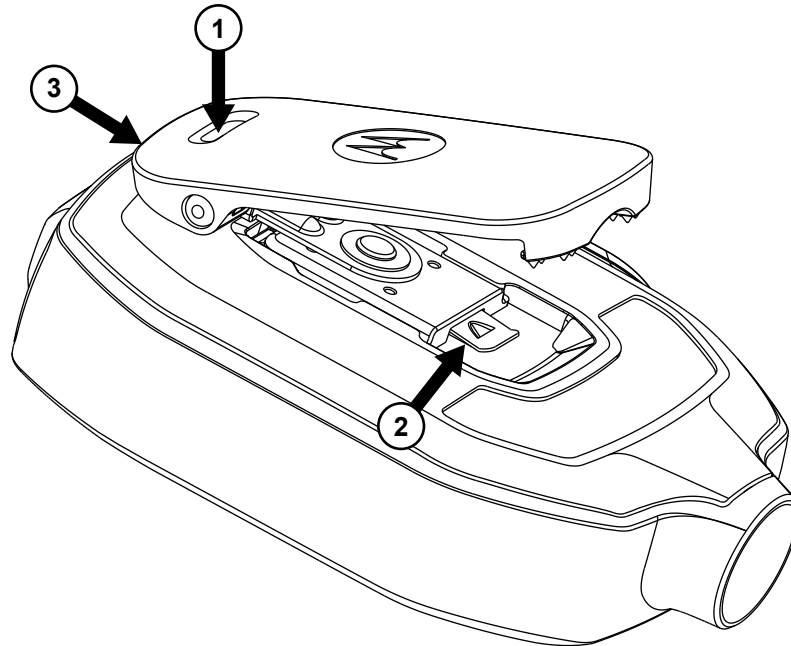


### Procedimento:

- 1 Alinhe a trava de liberação inferior com a posição voltada para baixo.
- 2 Empurre a parte superior do clipe para baixo.
- 3 Simultaneamente, deslize o clipe para cima.

### 1.2.2

## Desconectar o clipe giratório

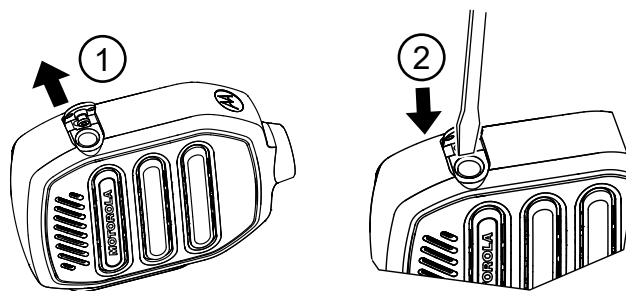


#### Procedimento:

- 1 Empurre a parte superior do clipe para levantá-lo até a posição mais alta.
- 2 Levante a trava de liberação inferior.
- 3 Deslize o clipe para removê-lo.

### 1.2.3

## Remoção da tampa de proteção contra poeira

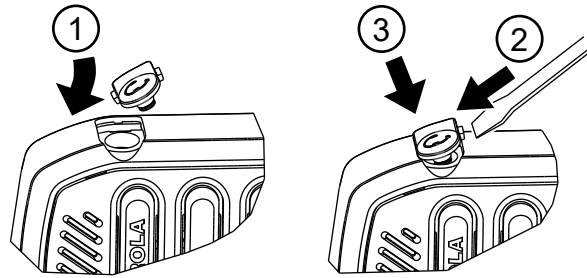


#### Procedimento:

- 1 Levante a tampa de proteção até que ela esteja totalmente aberta.
- 2 Insira a pequena ferramenta de ponta plana no recesso e retire a tampa de proteção.

#### 1.2.4

### Inserção da tampa de proteção contra poeira



#### Procedimento:

- 1 Deslize a aba lateral da tampa de proteção para dentro do slot do recesso.
- 2 Empurre o lado oposto com uma ferramenta pequena.
- 3 Simultaneamente, pressione a tampa de proteção no RSM.

## Capítulo 2

# Instruções operacionais

Esta seção oferece orientações sobre como usar o microfone com alto-falante remoto.

### 2.1

## Encaixar o RSM ao Rádio

### Pré-requisitos:

Desligue o rádio.



### **OBSERVAÇÃO:**

Para garantir uma operação adequada, desligue o rádio antes de conectar o RSM ao rádio. Conectar o RSM ao rádio desativa o alto-falante do rádio, mas não desativa o microfone e o PTT do rádio.

### Procedimento:

Encaixe o conector do microfone com alto-falante remoto (RSM) no conector lateral do rádio.

### 2.2

## Desencaixe o RSM do rádio

### Pré-requisitos:

Desligue o rádio.

### Quando e onde usar:

### Procedimento:

- 1 Solte o conector do microfone com alto-falante remoto (RSM) do conector lateral do rádio.
- 2 Mantenha a tampa de proteção inserida na entrada de áudio do RSM quando um acessório secundário não estiver sendo usado.

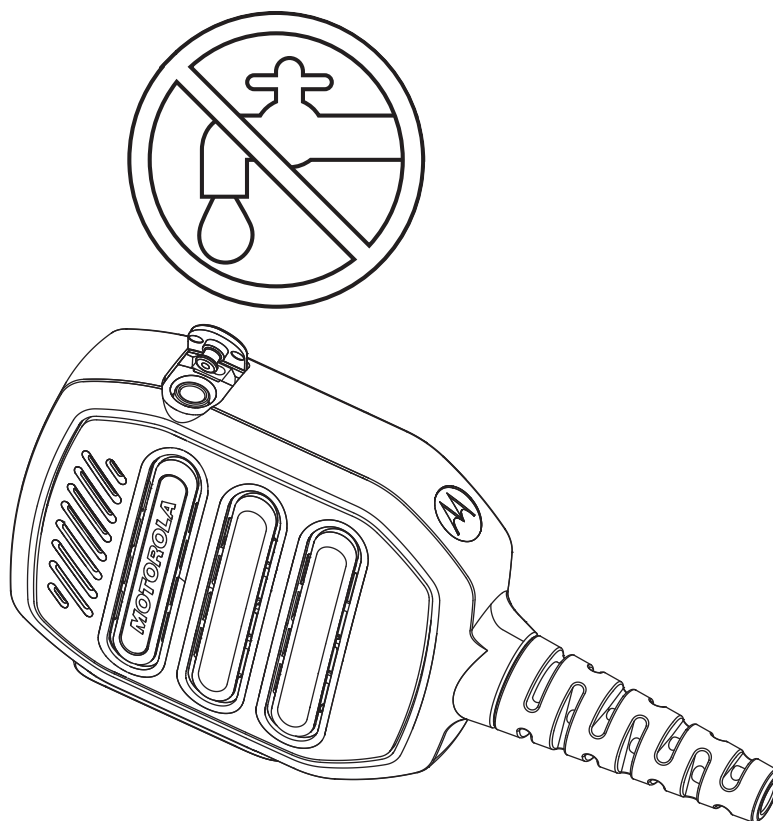
## Capítulo 3

# Práticas recomendadas

Esta seção traz informações sobre práticas recomendadas para o Microfone com alto-falante remoto (RSM).

### 3.1

## Cuidados comuns



- Cubra a entrada de áudio com tampa de proteção quando ela não estiver conectada ao fone de ouvido. Não coloque água na entrada de áudio.
- Caso entre água na entrada de áudio, remova-a chacoalhando o RSM.

3.2

## Transmissão e Recepção

Figura 1: Transmissão

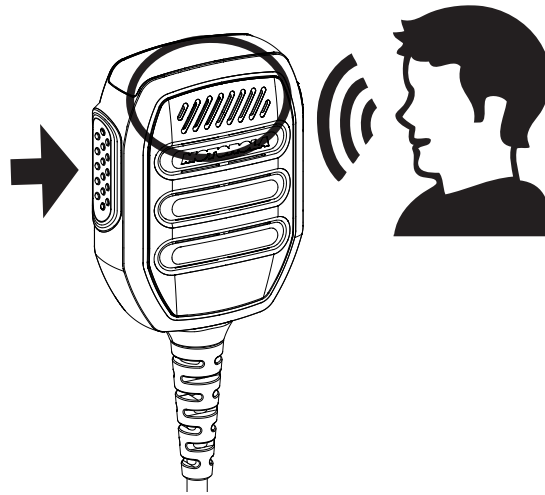


Figura 2: Recepção



### 3.3

## Posições recomendadas de uso do RSM

Figura 3: Posição recomendada de uso



#### **OBSERVAÇÃO:**

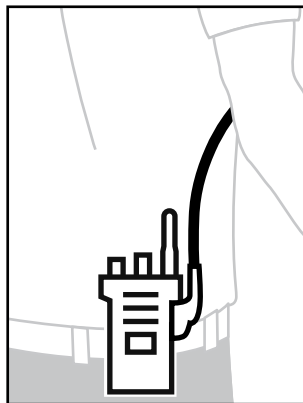
Para um melhor desempenho, use o RSM e o dispositivo do mesmo lado.

### 3.4

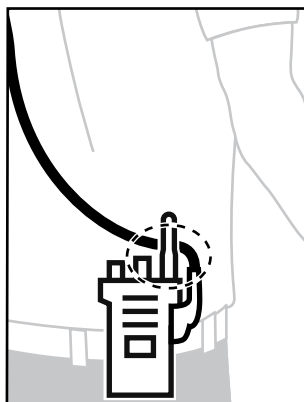
## Controle de cabos

Esta seção descreve a posição recomendada do cabo.

Figura 4: Recomendado



**Figura 5: Não recomendado**



Para garantir o alcance ideal e a experiência do usuário, é recomendável evitar cruzar o cabo acessório com a antena do rádio.





# PMMN4148 RM110 远程扬声器麦克风 (带 3.5 毫米音频插孔) (IP55) 用户指南

3 月 2023

© 2023 Motorola Solutions, Inc. All rights reserved



MN009681A01-AA

# 安全和法律

本节提供本产品的安全和法律信息。

## 知识产权和监管声明

### 版权

本文档中介绍的 Motorola Solutions 产品可能包含受版权保护的 Motorola Solutions 计算机程序。美国和其他国家/地区的法律为 Motorola Solutions 保留受版权保护的计算机程序的某些专有权利。因此，在未经 Motorola Solutions 明确书面许可的情况下，不得以任何方式对本文档中介绍的 Motorola Solutions 产品所包含的任何受版权保护的 Motorola Solutions 计算机程序进行拷贝或复制。

在未经 Motorola Solutions, Inc. 事先书面许可的情况下，不得以任何形式或通过任何方式来复制、传播、在检索系统中存储本文档的任何部分，或将其翻译为任何语言或计算机语言。

### 商标

MOTOROLA、MOTO、MOTOROLA SOLUTIONS 和标志性的 M 徽标是 Motorola Trademark Holdings, LLC 的商标或注册商标，必须获得授权方可使用。所有其他商标均为其各自所有者的财产。

### 许可权利

购买 Motorola Solutions 的产品不应视为直接或通过暗示、禁止反言或其他方式授予 Motorola Solutions 的版权、专利或专利申请的任何许可，但产品销售过程中因法律实施所引起的普通非专有免版税许可除外。

### 开源内容

本产品可能包含经许可使用的开源软件。请参阅产品安装介质，了解完整的“开源法律声明和归属”内容。

## 欧盟 (EU) 和英国 (UK) 废弃电子电气设备 (WEEE) 指令



欧盟的 WEEE 指令和英国的 WEEE 法规要求销售到欧盟国家/地区和英国的产品必须在产品上（有时是在包装上）张贴带交叉号的垃圾箱标签。根据 WEEE 指令的定义，此带叉号的带轮垃圾箱标签表示欧盟国家/地区和英国的客户和最终用户不得将此电子电气设备或附件作为生活垃圾处置。

欧盟国家/地区和英国的客户或最终用户应联系当地的设备供应商代表或服务中心，以了解有关所在国家/地区废物收集系统的相关信息。

### 免责声明

请注意，此文档中介绍的某些特性、设备和功能可能不适用于或未授权给特定系统使用，或者取决于特定移动订阅用户设备的特性或特定参数的配置。请联系 Motorola Solutions 联系人获取详细信息。

© 2023 Motorola Solutions, Inc. 保留所有权利

## 便携式双向对讲机的射频能量辐射和产品安全指南

### 小心:

在使用此附件之前，请阅读本指南，其中包括重要的安全操作说明以及射频能量意识和控制，以确保符合适用的标准和法规。

将远程扬声器麦克风 (RSM) 连接到对讲机时，仅限于能够满足 FCC/ICNIRP 射频能量辐射要求的职业应用。在使用本产品之前，请仔细阅读对讲机随附的“产品安全和射频能量辐射”手册中有关的射频能量意识信息和安全操作说明，以确保符合射频能量辐射限制标准。

## 声音安全

长时间接触任何来源的响亮噪音可能会暂时或永久影响您的听力。对讲机音量越大，对听力的影响产生越快。响亮噪音对听力的损害有时在初期无法检测，并会有累积效果。为了保护您的听力，请遵循以下提示：

- 使用完成工作所需的最低音量。
- 仅在嘈杂环境下才调高音量。
- 先调低音量，然后再添加耳机或听筒。
- 限制在高音量下使用耳机或听筒的时间。
- 使用不带耳机或听筒的对讲机时，请勿将对讲机的扬声器直接对着耳朵。
- 如果您出现耳朵不适、发生耳鸣或说话口齿不清等症状，则应停止通过耳机或听筒听取对讲机的声音，并请医生检查您的听力。

## 服务和保修

Motorola Solutions 为您的 RSM 提供保修。有关详细信息，请咨询您的 Motorola Solutions 经销商或购买点。



**注释:** 如果客户更换的部件未在可更换部件清单中列出，保修将会失效。

## 认证标记



## 联系地址

### 欧盟联系信息

Motorola Solutions,  
Czerwone Maki 82,  
30-392 Krakow, Poland

### 英国联系信息

Motorola Solutions UK Ltd.,  
Nova South, 160 Victoria Street,  
London, SW1E 5LB,  
United Kingdom

# 联系我们

集中化管理支持运营部门 (CMSO) 是贵组织与 Motorola Solutions 签订的服务协议中包含的提供技术支持的主要联系方。

服务协议客户应确保在协议的“客户的责任”部分中列出的所有情况下致电 CMSO，例如：

- 在采取措施之前确认故障排除结果和分析

贵组织已收到适用于您所在地理区域和服务协议的支持电话号码和其他联系信息。使用该等联系信息可获得最高效的响应。但是在需要时，您也可以通过执行以下步骤在 Motorola Solutions 网站上查找一般支持联系信息：

- 1 在浏览器中输入 [motorolasolutions.com](https://motorolasolutions.com)。
- 2 确保页面上显示有贵组织所在的国家/地区。单击或轻触地区的名称即可对其进行更改。
- 3 选择 [motorolasolutions.com](https://motorolasolutions.com) 页面上的“支持”。

## 备注

请将有关用户文档的问题和意见发送到 [documentation@motorolasolutions.com](mailto:documentation@motorolasolutions.com)。

报告文档错误时请提供以下信息：

- 文档标题和部件号
- 出错章节的页码或标题
- 错误描述

Motorola Solutions 提供各种旨在帮助学习系统相关内容的课程。要获取相关信息，请转至 <https://learning.motorolasolutions.com>，查看当前课程产品和技术路径。

# 图标约定

本文档集旨在为读者提供更多的直观提示。整个文档集统一使用了以下图标。



**危险:** 提示词“危险”及关联的安全图标表示，如果不注意其中的信息，则可能导致死亡或严重的人身伤害。



**警告:** 提示词“警告”及关联的安全图标表示，如果不注意其中的信息，则可能导致死亡或严重的人身伤害，也可能造成严重的产品损坏。



**小心:** 提示词“小心”及关联的安全图标表示，如果不注意其中的信息，则可能导致轻微或中等程度的人身伤害，也可能造成严重的产品损坏。

**小心:** 提示词“小心”也可能单独出现，而没有关联的安全图标，这表示可能发生与本产品无关的产品损坏或人身伤害。




**重要说明:** “重要”说明所包含的信息对于当前主题非常重要，但它不是“小心”或“警告”级的信息。“重要”说明没有相应的警告级别。



**注释:** “注意”含有比周围文字更重要的信息，如例外情况或注意事项。有时还会为读者提供一些其他位置的补充参考信息，提醒读者如何完成操作（例如，当操作不属于当前过程的一部分时），或者告诉读者某些项目在屏幕中的位置。“注意”没有相应的警告级别。

# 样式约定

使用下列样式约定：

约定	说明
<b>粗体</b>	此类字体用于表示在屏幕上显示的窗口、按钮和标签等的名称（例如： <b>警报浏览器窗口</b> ）。当所指的名称非常明确时，例如某一按钮的名称，则可单独使用该名称（例如：单击 <b>OK</b> ）。
Monospacing font in bold	此类字体用于表示要按文本中所示样式一模一样输入的字词（例如：在 <b>地址</b> 字段中，键入 <code>http://ucs01.ucs:9080/</code> ）。
等宽字体	此类字体用于表示在计算机屏幕上显示的消息、提示及其他文本（例如：添加了新的陷阱目标）。
<b>&lt;以粗斜体显示的等宽字体&gt;</b>	此类字体与尖括号搭配使用，用作字词所表示的特定组成员的占位符（例如： <b>&lt;路由器编号&gt;</b> ）。  <b>注释：</b> 在要键入的序列中去掉尖括号，以避免用户疑惑是否要在键入的文本中包括尖括号。
大写字母	此类字体用于表示键盘上的按键（例如：按 Y，然后按 ENTER）。
斜体	此类字体用于表示引用。引用内容通常是文档的名称或另一个文档中的短语（例如： <i>Dimetra IP 系统概述</i> ）。
→	在如何选择特定菜单项的说明中，使用 →（向右箭头）来指示菜单或选项卡结构（例如： <b>File→Save</b> ）或某个子选项卡。

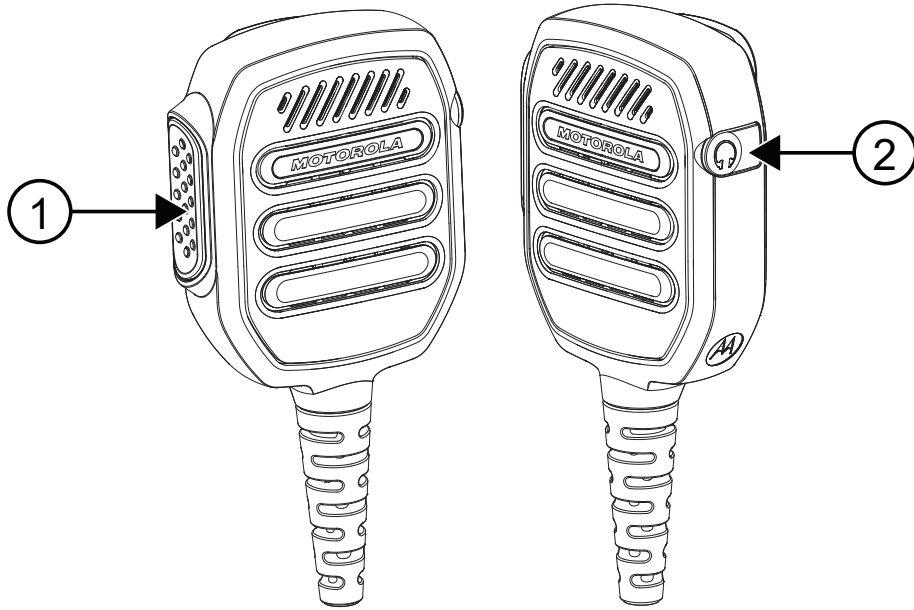
# 目录

<b>安全和法律</b> .....	<b>2</b>
知识产权和监管声明.....	2
便携式双向对讲机的射频能量辐射和-product安全指南.....	3
声音安全.....	3
服务和保修.....	3
认证标记.....	3
联系地址.....	3
<b>联系我们</b> .....	<b>4</b>
<b>图标约定</b> .....	<b>5</b>
<b>样式约定</b> .....	<b>6</b>
<b>章节 1：产品概述</b> .....	<b>8</b>
1.1 兼容的辅助音频附件.....	8
1.2 可更换部件.....	9
1.2.1 连接旋转皮带夹.....	10
1.2.2 拆离旋转皮带夹.....	11
1.2.3 移除防尘罩.....	11
1.2.4 插入防尘罩.....	12
<b>章节 2：操作说明</b> .....	<b>13</b>
2.1 将 RSM 连接到对讲机.....	13
2.2 从对讲机上拆离 RSM.....	13
<b>章节 3：推荐的做法</b> .....	<b>14</b>
3.1 日常护理.....	14
3.2 传输和接收.....	15
3.3 推荐的 RSM 佩戴位置.....	16
3.4 电缆管理.....	16

## 章节 1

# 产品概述

本用户手册介绍了 RM110 远程扬声器麦克风 (带 3.5 毫米音频插孔) (IP55)、PMMN4148。



编号	说明
1	通话按键按钮
2	仅接受 3.5 毫米音频插孔 (不带螺纹)，可用防尘罩盖住

### 1.1 兼容的辅助音频附件

否	说明
PMLN8120	仅 Rx xL 透明传声管耳机，3.5 毫米耳机插孔



## 1.2 可更换部件

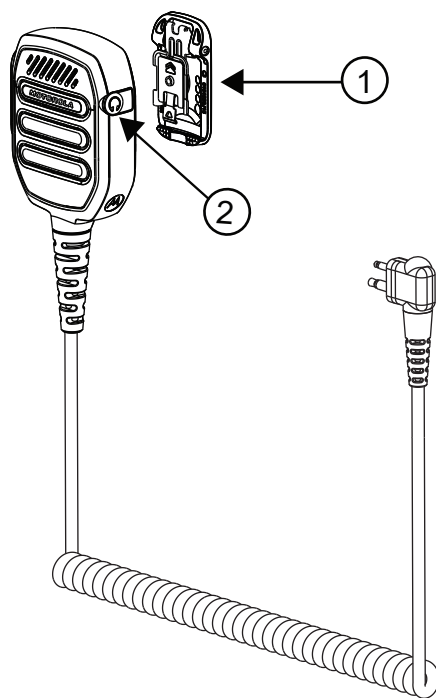
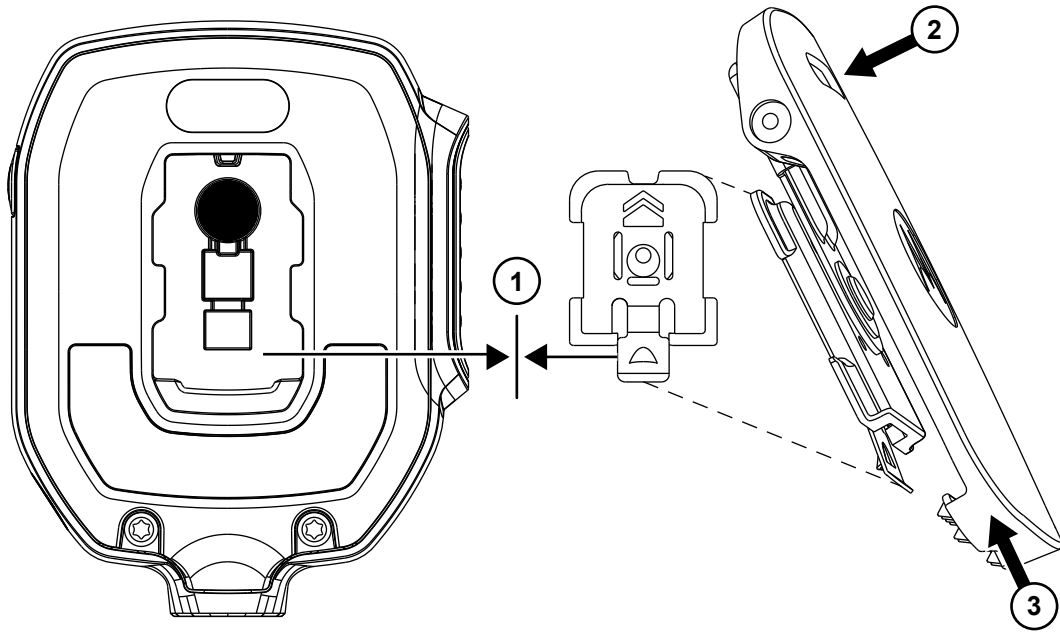


表 1：更换部件标注

否	说明
1	扁平旋转皮带夹 (PMLN8121)
2	防尘罩 10 件/包 (PMLN8253)

### 1.2.1 连接旋转皮带夹

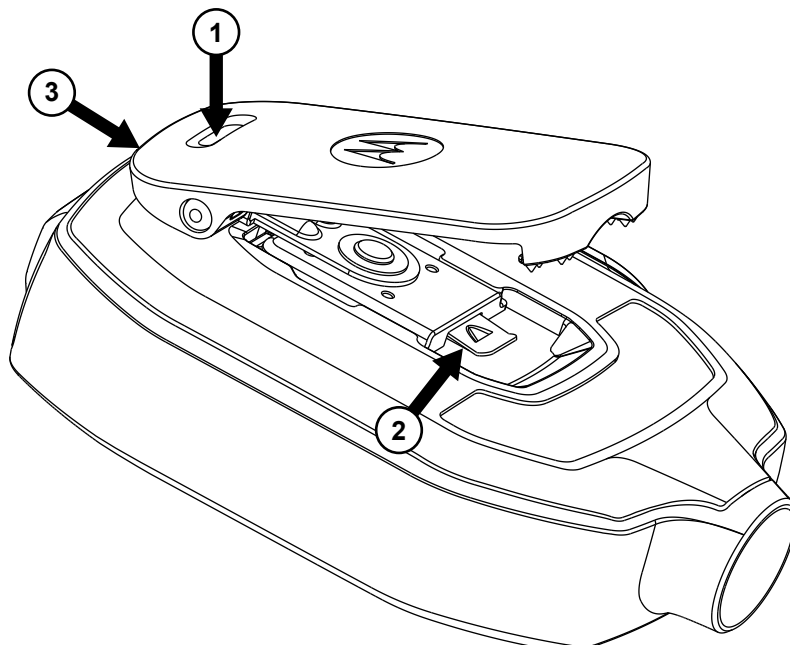


**步骤：**

- 1 将底部释放门锁对准朝下的位置。
- 2 将皮带夹的顶部向下推动。
- 3 同时将皮带夹向上滑动。

### 1.2.2

## 拆离旋转皮带夹

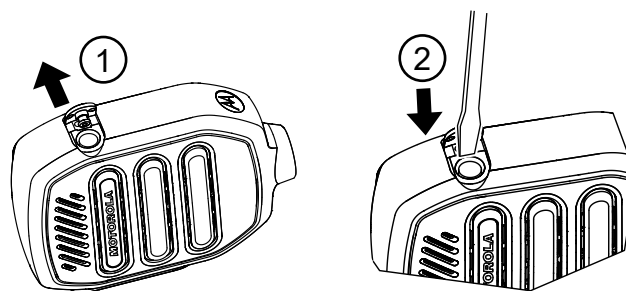


### 步骤：

- 1 推动皮带夹顶部，将其提升至最高位置。
- 2 提起底部释放门锁。
- 3 滑动皮带夹以将其拆卸。

### 1.2.3

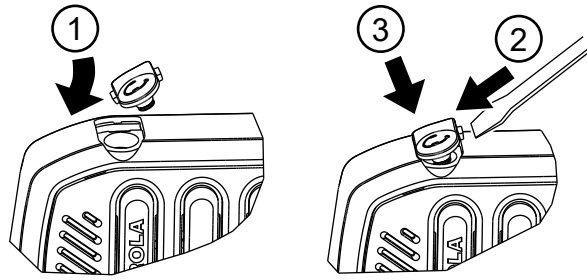
## 移除防尘罩



### 步骤：

- 1 提起防尘罩，直到完全打开。
- 2 将小型平头工具插入凹槽并撬出防尘罩。

### 1.2.4 插入防尘罩



**步骤：**

- 1 将防尘罩的侧面凸舌滑入凹槽中。
- 2 使用小工具推动另一侧。
- 3 同时将防尘罩推入 RSM。

## 章节 2

# 操作说明

本节提供有关如何使用远程扬声器麦克风的指南。

### 2.1

## 将 RSM 连接到对讲机

**前提条件：** 关闭对讲机。



**注释：** 为确保正常运行，请先关闭对讲机，然后再将 RSM 连接到对讲机。将 RSM 连接到对讲机会禁用对讲机的扬声器，但不会禁用其麦克风和 PTT。

**步骤：**

将远程扬声器麦克风 (RSM) 接口与对讲机的侧面接口相连接。

### 2.2

## 从对讲机上拆离 RSM

**前提条件：** 关闭对讲机。

**何时何处使用：**

**步骤：**

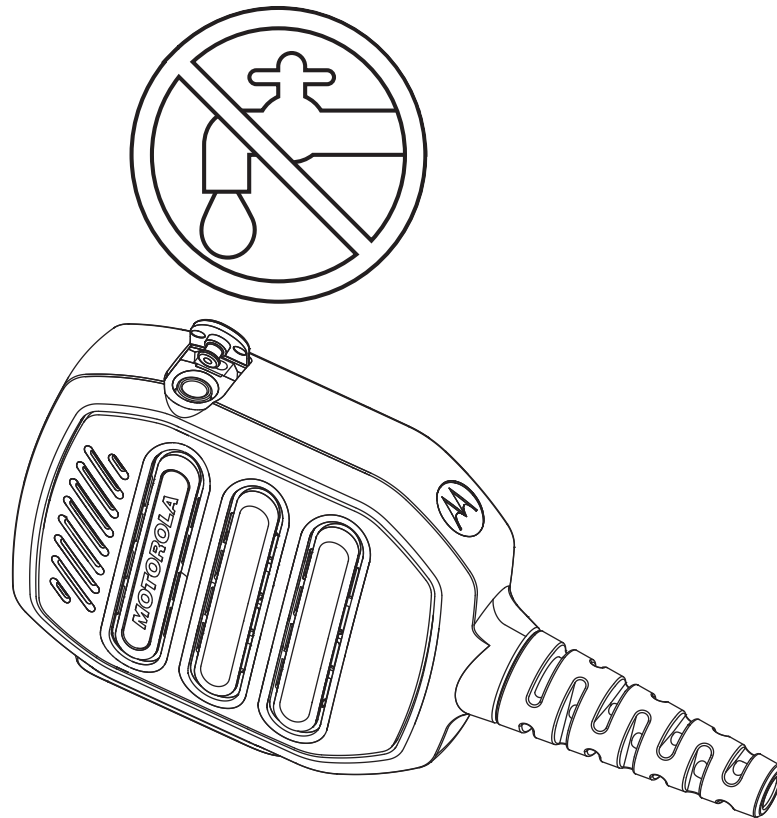
- 1 从对讲机的侧面接口上拆离远程扬声器麦克风 (RSM) 接口。
- 2 未使用辅助附件时，请将防尘罩插入 RSM 的音频插孔。

## 章节 3

# 推荐的做法

本节提供有关远程扬声器麦克风 (RSM) 的推荐做法信息。

### 3.1 日常护理



- 未插入耳机时，请用防尘罩盖住音频插孔。切勿使音频插孔进水。
- 如果有水进入音频插孔，请通过甩动 RSM 除水。

### 3.2 传输和接收

图 1：传输

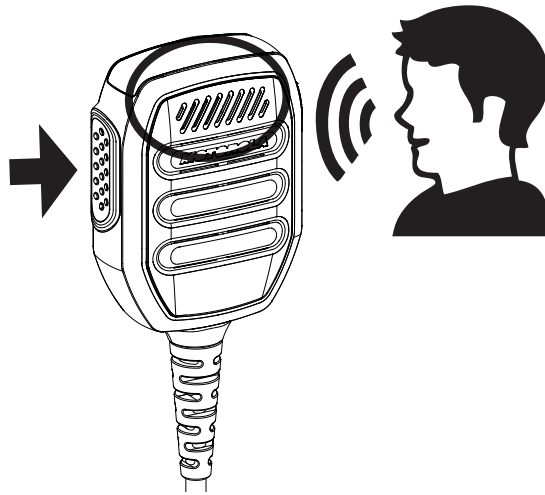


图 2：接收



### 3.3 推荐的 RSM 佩戴位置

图 3：推荐的佩戴位置



**注释：**为了获得更好的性能，请将 RSM 和设备佩戴在同一侧。

### 3.4 电缆管理

本节介绍推荐的电缆位置。

图 4：推荐

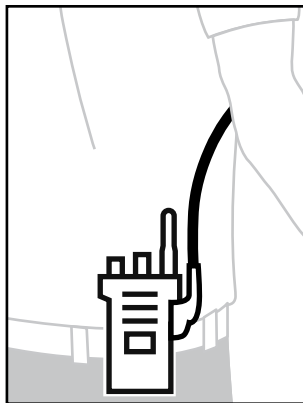
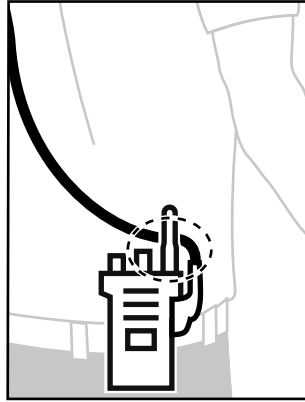




图 5：不推荐



为了确保最佳范围和用户体验，建议避免产生附件电缆与无线电天线交叉。



# PMMN4148、3.5mm オーディオ ジャック (IP55) 付き RM110 リモート スピーカ マイク ユーザー ガイド

3 月 2023

© 2023 Motorola Solutions, Inc. All rights reserved



MN009681A01-AA

# 安全と法律

このセクションでは、本製品の安全と法律情報について説明します。

## 知的財産および規制に関するご注意

### 著作権

本書に記載されている Motorola Solutions 製品には、著作権取得済み Motorola Solutions コンピュータプログラムが含まれている場合があります。米国およびその他諸国の法律で、著作権取得済みコンピュータプログラムの一定の独占権が Motorola Solutions のために保護されています。したがって、本書で説明される Motorola Solutions 製品に含まれるいかなる著作権取得済み Motorola Solutions コンピュータプログラムも、Motorola Solutions からの書面による明示的な許可なしに、いかなる方法においても複製または再生してはなりません。

本書のいかなる部分についても、いかなる形式であろうと、いかなる手段によっても、Motorola Solutions, Inc. からの事前の書面による許可なしに複製、伝送、情報検索システムへの格納、あらゆる言語への翻訳、コンピュータ言語への変換をしてはいけません。

### 商標

MOTOROLA、MOTO、MOTOROLA SOLUTIONS、および図案化された M ロゴは、Motorola Trademark Holdings, LLC の商標または登録商標であり、ライセンスの下で使用されます。その他のすべての商標は、該当する各所有者が権利を有しています。

### ライセンスの権利

Motorola Solutions 製品の購入は、直接的あるいは黙示的、禁反言的、またはその他の方法によって、Motorola Solutions の著作権、特許または特許申請の対象となる一切のライセンスを付与するものとはみなされないものとします。ただし、製品の販売において法の運用によって生ずる通常の非独占的、ロイヤルティ不要の使用ライセンスについては、この限りではありません。

### オープン ソース コンテンツ

この製品には、ライセンスの下で使用されるオープン ソース ソフトウェアが含まれている場合があります。オープン ソースの法的通知および帰属の内容については、製品のインストール メディアを参照してください。

### 欧州連合 (EU) および英国 (UK) の電気電子廃棄物 (WEEE) 指令



■ 欧州連合の WEEE 指令および英国の WEEE 規制では、EU 諸国および英国に販売される製品 (場合によってはパッケージ) に車輪付きゴミ箱への投入禁止ラベルを貼ることを要求しています。WEEE 指令で規定されるとおり、この車輪付きゴミ箱への投入禁止ラベルは、EU 諸国と英国の顧客とエンドユーザーが、電気および電子機器またはアクセサリを生活廃棄物として廃棄してはならないことを意味します。

EU 諸国と英国の顧客またはエンドユーザーは、自国の廃棄物収集システムについて、地元の機器販売代理店またはサービス センターに問い合わせる必要があります。

## 免責条項

特定のシステムに対して、本書で説明する特定の機能、設備、性能が適用されない、またはライセンス付与されない場合や、特定のモバイル サブスクライバ ユニットの特性や特定のパラメータの設定に依存する必要があることに注意してください。詳細については、Motorola Solutions の担当者にご確認ください。

© 2023 Motorola Solutions, Inc. All Rights Reserved

## 携帯型業務用無線機に関する RF エネルギー被曝および製品の安全に関するガイド

### 注意：

本アクセサリのご使用前に、この説明書をよくお読みください。安全にお使いいただくための取り扱い方法と、電磁波エネルギーについての重要な説明が記載されています。また、電磁波エネルギー被曝限度についての該当基準および法規制に対する適合情報の説明も記載されています。

このリモート スピーカ マイク (RSM) をこの無線機に取り付けている際は、FCC/ICNIRP RF の電磁波エネルギー被曝要件に準拠した業務用の利用に限定されています。本製品をご使用になる前に、無線機に付属している製品の安全と電磁波被曝に関する冊子に記載されている電磁波エネルギー認識情報と操作説明書をご一読いただき、電磁波エネルギー被曝限度を確実に順守してください。

## 聴覚の安全性

音源を問わず、大音量の音に長時間さらされた場合、聴力が一時的または恒久的に影響を受ける場合があります。無線機の音量が大きいとそれだけ、短時間で聴力が影響を受けます。大音量の音による聴覚障害は、最初は自覚症状がない場合があり、その影響は累積的である可能性があります。聴力を保護するため、次の点をお守りください。

- 必要最低限の音量で使用してください。
- 周囲の音が大きいため聞き取りにくい場合にのみ、音量を上げてください。
- ヘッドセットまたはイヤピースを接続する前に、音量を下げてください。
- 長時間、大音量でヘッドセットやイヤピースを使用しないでください。
- ヘッドセットやイヤピースを使わずに無線機を使用する場合、耳に直接スピーカを当てないでください。
- 不快な音が聞こえる、耳鳴りがする、または声が聞こえづらい場合は、ヘッドセットまたはイヤピースを通じて無線機の音を聞くのを止め、聴覚について医師の診断を受けてください。

## サービスと保証

Motorola Solutions では、RSM の保証を提供しています。詳細については、Motorola Solutions 代理店または購入時点情報を参照してください。



注：掲載されている交換部品以外の部品のお客様による交換は、保証が無効になります。

## 認定マーク



## 連絡先住所

### 欧州連合連絡先

Motorola Solutions,  
Czerwone Maki 82,  
30-392 Krakow, Poland

### イギリス連絡先

Motorola Solutions UK Ltd.,  
Nova South, 160 Victoria Street,  
London, SW1E 5LB,  
United Kingdom

# お問い合わせ

集中管理サポートセンター (CMSO) は、Motorola Solutions とお客様の組織のサービス契約に含まれているテクニカル サポートの主連絡先となります。

サービス契約のお客様は、契約内のお客様の責任に記載されている状況 (たとえば、次のような状況) になった場合はいずれの状況でも、CMSO に必ずご連絡ください。

- アクションをとる前に、トラブルシューティングの結果と分析を確認する

組織には、地域およびサービス契約に適したサポート電話番号およびその他の連絡先情報が提供されています。その連絡先情報を使用するのが最も効率的な対応方法です。ただし、必要に応じて、Motorola Solutions の Web サイトで一般的なサポート連絡先情報を、次の手順に従って検索することもできます。

- 1 ブラウザで、「[motorolasolutions.com](https://motorolasolutions.com)」と入力します。
- 2 お客様の組織の国または地域がページに表示されていることを確認します。地域の名前をクリックまたはタップして、地域を変更できます。
- 3 [motorolasolutions.com](https://motorolasolutions.com) ページで [サポート] を選択します。

## コメント

ユーザー ドキュメントに関するご質問やご意見は、[documentation@motorolasolutions.com](mailto:documentation@motorolasolutions.com) までお送りください。

ドキュメントの不備を報告する場合は、次の情報を提供してください。

- ドキュメントのタイトルと部品番号
- 不備のあるセクションのページ番号またはタイトル
- 不備に関する説明

Motorola Solutions では、システムの習得を支援するためのさまざまなコースを提供しています。詳細については、<https://learning.motorolasolutions.com> にアクセスして、最新のコース内容とテクノロジーパスを参照してください。

# アイコン表記

このドキュメント一式では、視覚的にわかりやすくする工夫が施されています。ドキュメント一式の全体を通じて、次のグラフィックアイコンが使用されています。



**危険**：「危険」というキーワードとそれに対応する安全アイコンの組み合わせは、従わなかった場合、死亡または重大な傷害を負うことになる情報を意味します。



**警告**：「警告」というキーワードとそれに対応する安全アイコンの組み合わせは、従わなかった場合、死亡または重大な傷害を負う可能性、あるいは製品の重大な破損が発生する可能性のある情報を意味します。



**注意**：「注意」というキーワードとそれに対応する安全アイコンの組み合わせは、従わなかった場合、軽度または中程度の傷害を負う可能性、あるいは製品の重大な破損が発生する可能性のある情報を意味します。

注意：「注意」というキーワードを安全アイコンなしに使用して、製品と関係のない破損または傷害が発生する可能性があることを意味する場合もあります。




**重要**：「重要」として示された文には、そこで説明されている事項において重要であるが、「注意」や「警告」ではない情報が記載されています。「重要」として示された文には、警告レベルはありません。



**注**：「注」には、例外や前提条件など、前後のテキストより重要な情報が記載されています。また、読者に詳細情報の参照先を紹介したり、操作の完了方法を再確認したり（現在説明している手順の一部でない場合など）、特定の画面要素が画面のどこに表示されているのか示したりすることもあります。「注」には、警告レベルはありません。

# 表記規則

次の表記規則を使用しています。

表記	説明
太字	この表記は、ウィンドウ、ボタン、ラベルなどの名前が画面に表示される場合に使用されます (例: <b>[Alarms Browser]</b> ウィンドウ)。たとえば、ボタンを参照していることが明確な場合、名前は単独で使用されます (例: <b>[OK]</b> をクリックします)。
Monospacing font in bold	この表記は、テキストに記載されているとおりに入力する言葉に使用されます (例: <b>[Address]</b> フィールドで、「http://ucs01.ucs:9080/」と入力します)。
Monospacing font	この表記は、コンピュータ画面に表示されるメッセージ、プロンプト、および他のテキストに使用します (例: A new trap destination has been added)。
<太字斜体の固定スペーシング フォント>	この表記は、特定の値グループのプレースホルダとして山形括弧と使用され、入力時にはこの位置に具体的な値を指定します (例: <ルーター番号>)。   注: 入力する順序どおりとし、入力するテキストに山形括弧を含めるかどうかについての混乱を避けるため、山形括弧は省略しています。
大文字	この表記は、キーボードのキーに使用されます (例: Y を押し、次に ENTER キーを押します)。
斜体	この表記は、引用に使用されます。引用は通常、文書の名前または他の文書からの引用句です (例: 『 <i>Dimetra IP System Overview</i> 』)。
→	→ (右矢印) は、特定のメニュー項目またはサブタブを選択する手順で、メニュー (例: <b>[File]</b> → <b>[Save]</b> ) またはタブの構造を示すために使用されます。



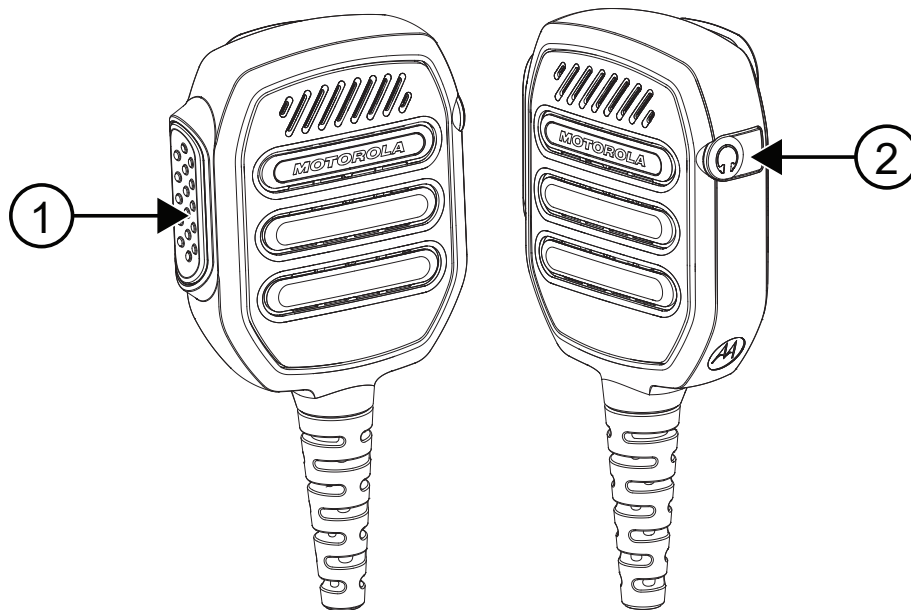
# 目次

安全と法律.....	2
知的財産および規制に関するご注意.....	2
携帯型業務用無線機に関する RF エネルギー被爆および製品の安全に関するガイド.....	3
聴覚の安全性.....	3
サービスと保証.....	3
認定マーク.....	3
連絡先住所.....	4
お問い合わせ.....	5
アイコン表記.....	6
表記規則.....	7
<b>章 1: 製品概要.....</b>	<b>9</b>
1.1 互換性のあるセカンダリ オーディオ アクセサリ.....	9
1.2 交換部品.....	10
1.2.1 スイベル クリップの取り付け.....	11
1.2.2 スイベル クリップの取り外し.....	12
1.2.3 ダスト カバーの取り外し.....	12
1.2.4 ダスト カバーの挿入.....	13
<b>章 2: 取り扱い説明.....</b>	<b>14</b>
2.1 RSM を無線機に取り付ける.....	14
2.2 RSM を無線機から取り外す.....	14
<b>章 3: 推奨される操作.....</b>	<b>15</b>
3.1 一般的なお手入れ.....	15
3.2 送受信.....	16
3.3 推奨される RSM の装着位置.....	17
3.4 ケーブルの管理.....	17

## 章 1

# 製品概要

このユーザー マニュアルでは、RM110 リモート スピーカ マイク、3.5mm オーディオ ジャック (IP55) 付き、PMMN4148 について説明します。



番号	説明
1	プッシュトゥトーク ボタン
2	ダスト カバーで覆われた受信専用 3.5mm オーディオ ジャック (スレッドなし)

### 1.1

## 互換性のあるセカンダリ オーディオ アクセサリ

番号	説明
PMLN8120	Rx 専用 xL クリア チューブ イヤピース、3.5 mm ジャック

## 1.2 交換部品

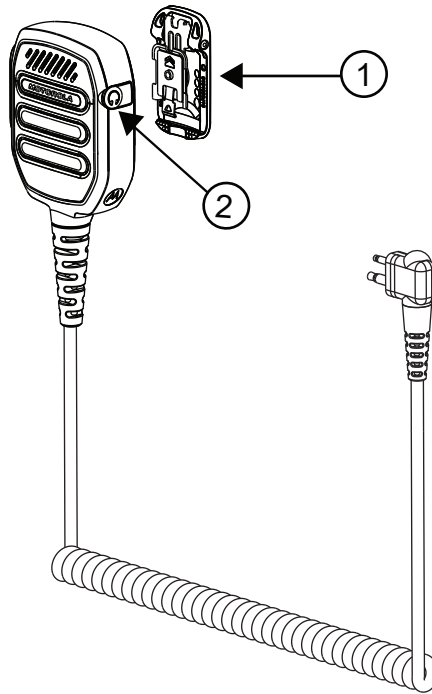
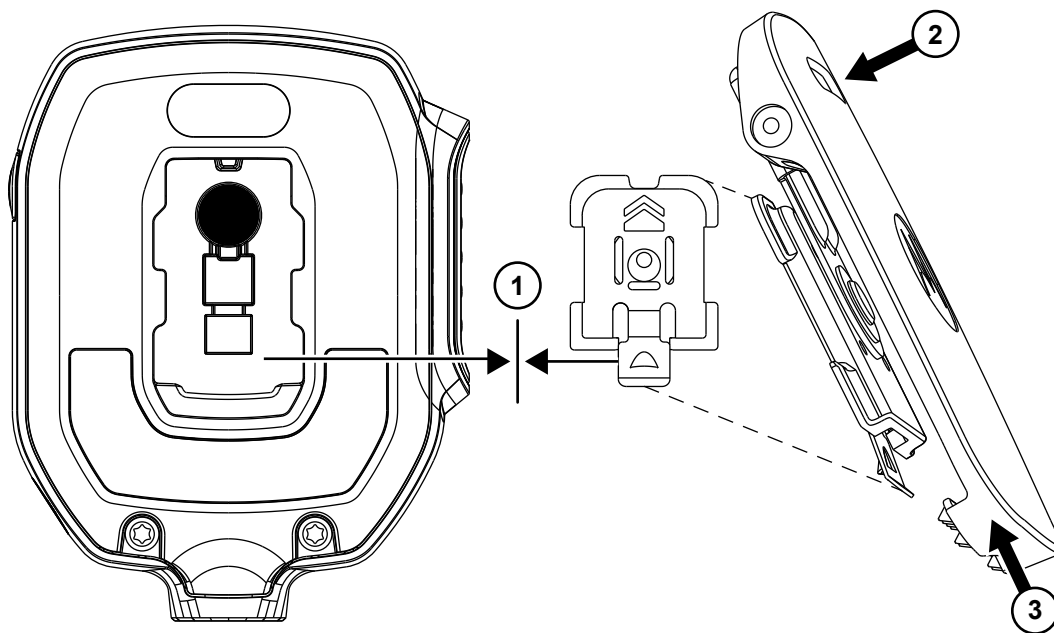


表 1: 交換部品の吹き出し

番号	説明
1	ロー プロファイル スイベル クリップ (PMLN8121)
2	ダスト カバー 10 個パック (PMLN8253)

### 1.2.1 スイベル クリップの取り付け

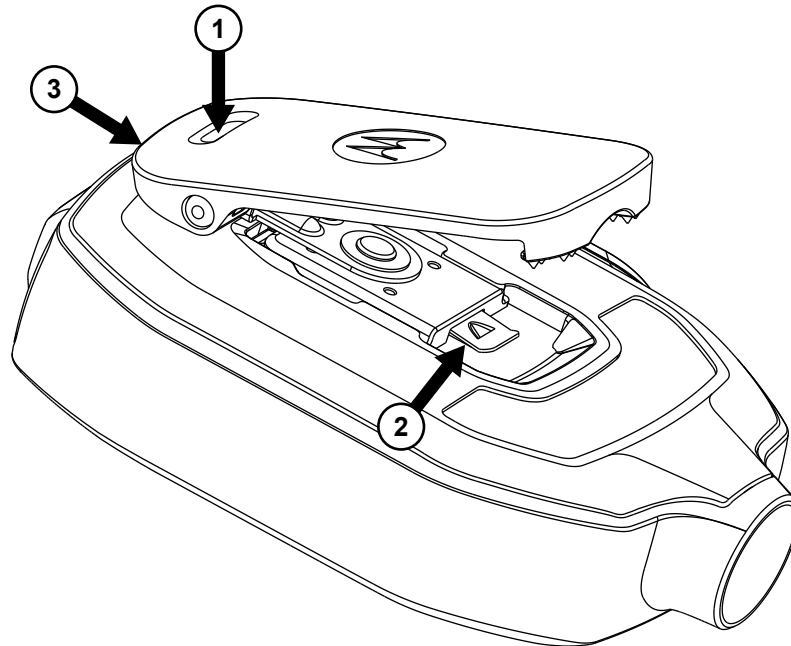


手順:

- 1 下部にあるリリース ラッチを下向きに合わせます。
- 2 クリップの上部を押し下げます。
- 3 同時に、クリップを上方向にスライドします。

### 1.2.2

## スイベル クリップの取り外し

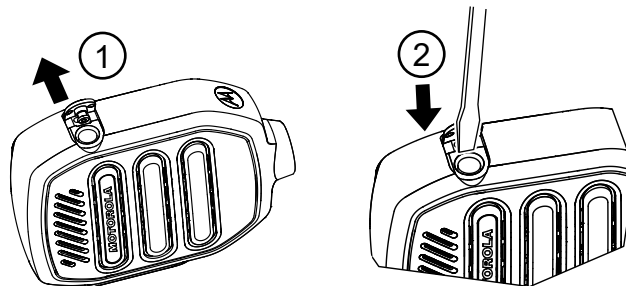


手順:

- 1 クリップの上部を押して、クリップを最も高い位置まで上げます。
- 2 下部にあるリリース ラッチを持ち上げます。
- 3 クリップをスライドして取り外します。

### 1.2.3

## ダスト カバーの取り外し

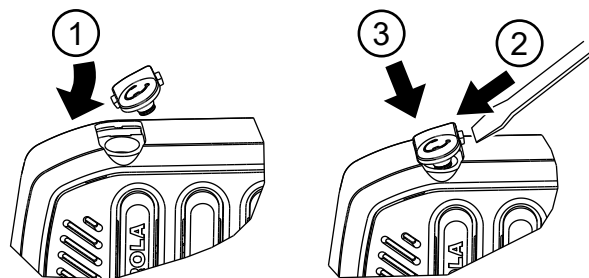


手順:

- 1 ダスト カバーが完全に開くまで持ち上げます。
- 2 先端が平らな小型の工具をくぼみに差し込み、ダストカバーをこの要領で取り外します。

#### 1.2.4

### ダスト カバーの挿入



#### 手順:

- 1 ダスト カバーのサイド タブをくぼみスロットにスライドして差し込みます。
- 2 小型の工具を使用して反対側を押します。
- 3 同時に、ダスト カバーを RSM に押し込みます。

## 章 2

# 取り扱い説明

このセクションでは、リモート スピーカ マイクの使用方法に関するガイドラインを提供します。

### 2.1

## RSM を無線機に取り付ける

前提条件: 無線機の電源を切ります。



注：適切な動作を確認するために、RSM を無線機に接続する前に無線機の電源をオフにしてください。RSM を無線機に接続すると無線機のスピーカは無効になりますが、無線機のマイクと PTT は無効にはなりません。

手順:

リモート スピーカ マイク (RSM) コネクタを無線機のサイド コネクタに取り付けます。

### 2.2

## RSM を無線機から取り外す

前提条件: 無線機の電源を切ります。

使用するタイミングと場所:

手順:

- 1 リモート スピーカ マイク (RSM) コネクタを無線機側のコネクタから取り外します。
- 2 セカンダリ アクセサリを使用していないときは、ダスト カバーを RSM のオーディオ ジャックに挿入したままにしておきます。

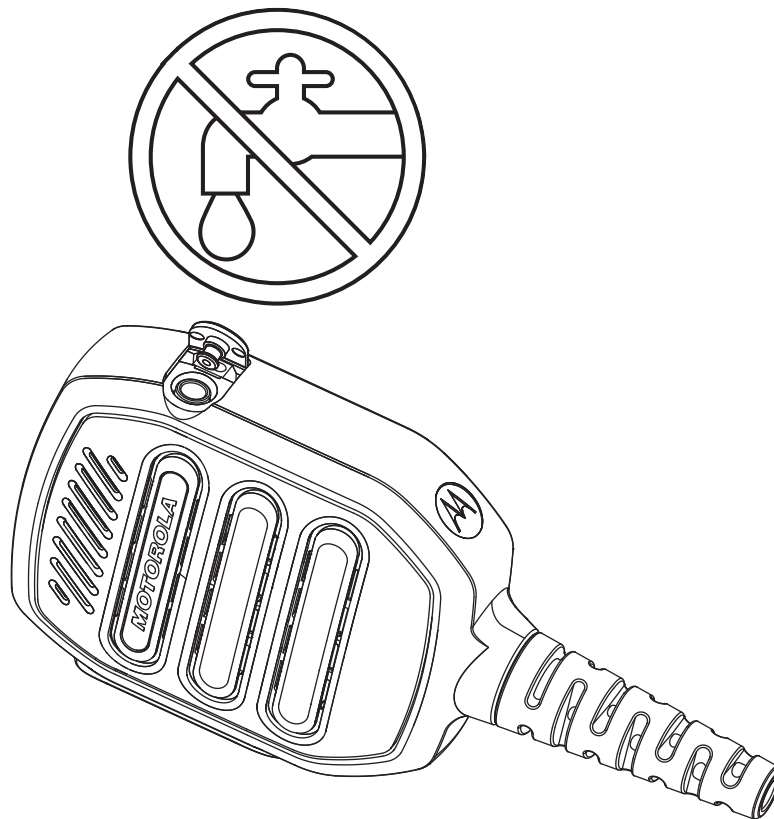
## 章 3

# 推奨される操作

このセクションでは、リモート スピーカ マイク (RSM) の推奨される操作に関する情報を提供します。

### 3.1

#### 一般的なお手入れ



- イヤピースに接続していないときは、オーディオ ジャックをダスト カバーで覆います。オーディオ ジャックに水を入れないでください。
- オーディオ ジャックに水が入った場合は、RSM を振って水を取り除いてください。



3.2  
送受信

図 1: 送信

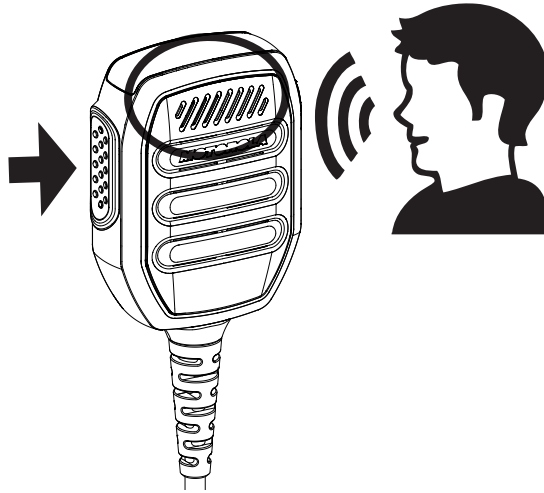



図 2: 受信



### 3.3 推奨される RSM の装着位置

図 3: 推奨される装着位置



 注：パフォーマンスを向上させるには、RSM とデバイスを同じ側に装着してください。

### 3.4 ケーブルの管理

このセクションでは、推奨されるケーブルの位置について説明します。

図 4: 推奨

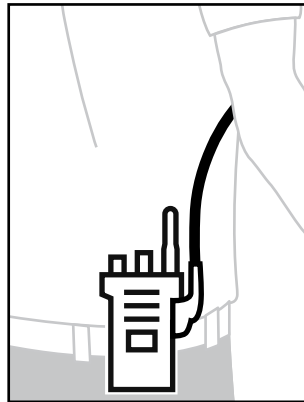
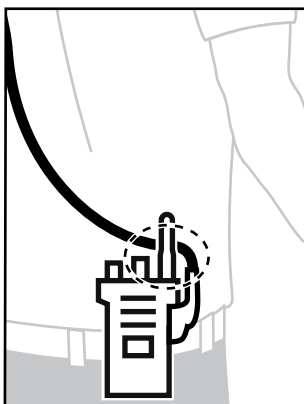


図 5: 非推奨



最適な通信範囲とユーザー体験を実現するため、無線機のアンテナとアクセサリ ケーブルを交差させないようにすることが推奨されます。



# PMMN4148 3.5mm 오디오 잭이 있는 RM110 원격 스피 커 마이크(IP55) 사용 설명 서

3월 2023

© 2023 Motorola Solutions, Inc. All rights reserved



MN009681A01-AA

# 안전 및 법률

이 섹션에서는 이 제품의 안전 및 법률 정보를 제공합니다.

## 지적 재산권 및 규제 고지

### 저작권

이 문서에 설명되어 있는 Motorola Solutions 제품에는 저작권 보호를 받는 Motorola Solutions 컴퓨터 프로그램이 포함되어 있을 수 있습니다. 미국과 기타 국가의 법률은 저작권 보호를 받는 컴퓨터 프로그램에 대한 독점적인 권리를 Motorola Solutions에 부여합니다. 따라서 본 문서에 수록된 Motorola Solutions 제품에 포함되어 있으며 Motorola Solutions이 저작권을 보유한 모든 컴퓨터 프로그램은 Motorola Solutions의 서면 승인이 없는 한 어떠한 형식으로도 복사 또는 복제할 수 없습니다.

이 문서의 어떤 부분도 Motorola Solutions, Inc.의 사전 서면 허가 없이 어느 형태나 방식으로든 검색 시스템에 복제, 전송, 저장하거나 다른 언어나 컴퓨터 언어로 번역할 수 없습니다.

### 등록 상표

MOTOROLA, MOTO, MOTOROLA SOLUTIONS 및 양식화된 M 로고는 Motorola Trademark Holdings, LLC의 상표 또는 등록 상표이며 라이선스에 의거하여 사용됩니다. 기타 모든 상표는 해당 소유자의 재산입니다.

### 라이선스 권한

제품 판매 관련 법규에 의해 사용이 허가된 일반적인 비배타적, 사용료가 면제된 라이선스를 제외하고는 Motorola Solutions 제품의 구매를 통해 저작권, 특허 또는 Motorola Solutions 특허 출원 하의 어떠한 라이선스도 직접적, 암시적, 금반언 또는 그 밖의 어떠한 형식으로도 권리를 부여받은 것으로 간주되지 않습니다.

### 오픈 소스 콘텐츠

이 제품에는 라이선스에 의거하여 사용되는 오픈 소스 소프트웨어가 포함되어 있을 수 있습니다. 오픈 소스 법적 고지 및 귀속과 관련된 전체 내용은 제품 설치 미디어를 참조하십시오.

## 유럽 연합(EU) 및 영국(UK) 전기 전자 폐기물(WEEE: Waste Electrical and Electronic Equipment) 지침



유럽 연합의 WEEE 규정 및 영국의 WEEE 규정에 의하면 유럽 연합 및 영국에서 판매되는 제품(또는 포장)에는 가위표가 표시된 바퀴 달린 쓰레기통 라벨이 부착되어 있어야 합니다. WEEE 규정에 따라, 가위표가 표시된 바퀴 달린 쓰레기통 라벨이 부착되어 있으면 유럽 연합 및 영국의 고객과 최종 사용자는 전기 전자 장비 또는 부속품을 생활 쓰레기로 폐기해서는 안 됩니다.

유럽 연합 및 영국의 고객 또는 최종 사용자는 현지 장비 공급업체 대리점이나 서비스 센터에 연락해 해당 국가의 쓰레기 수거 시스템에 대한 정보를 참조해야 합니다.

### 면책고지

본 문서에 수록된 일부 기능, 설비 및 능력은 특정 시스템용으로 적용하거나 사용하도록 라이선스가 부여되지 않을 수 있으며 특정 모바일 가입자 장치의 특성 또는 일부 매개변수의 구성에 따라 달라질 수 있습니다. 자세한 내용은 현지 Motorola Solutions 대리점에 문의하십시오.

© 2023 Motorola Solutions, Inc. All Rights Reserved

## 휴대용 양방향 무전기에 대한 RF 에너지 노출 및 제품 안전 설명서

### 주의:

이 액세서리를 사용하기 전에 안전한 사용, RF 에너지에 대한 이해 및 관련 표준과 규정을 준수하는 제어와 관련된 중요한 작동 지침이 수록된 본 설명서를 읽어 주시기 바랍니다.

원격 스피커 마이크(RSM)는 무전기에 연결할 경우 FCC/ICNIRP RF 에너지 노출 요건을 충족시키기 위해 업무 목적으로만 사용하도록 제한되어 있습니다. 본 제품을 사용하기 전에 RF 에너지 노출 제한을 준수할 수 있도록 무전기와 함께 제공된 제품 안전 및 RF 노출 인쇄물의 RF 에너지 인식 정보 및 취급 지침을 읽어 주십시오.

## 청각 안전

음원에 관계없이 시끄러운 소음에 장시간 노출될 경우 청력에 일시적 또는 영구적인 영향을 미칠 수 있습니다. 무전기 볼륨 수준이 높을수록 청력에 영향을 주는 데 보다 짧은 시간이 걸립니다. 시끄러운 소음으로 인한 청력 손상은 초기 단계에는 발견되지 않는 경우가 종종 있으므로 손상이 누적될 수 있습니다. 청력 보호하기:

- 작업 시 가능한 한 볼륨을 낮추어 사용합니다.
- 주변 소음이 심한 환경에서만 볼륨을 높이십시오.
- 헤드셋 또는 이어폰 사용 전 볼륨을 낮추십시오.
- 볼륨을 높여 들을 경우 헤드셋 또는 이어폰의 사용 시간을 제한하십시오.
- 헤드셋 또는 이어폰 없이 무전기를 사용할 경우, 무전기 스피커를 귀 바로 옆에 두지 마십시오.
- 귀의 울림 또는 멍멍함 등의 불편한 증상을 겪은 경우 무전기에서 헤드셋 또는 이어폰 사용을 멈추고 담당 의사에게 청력 검진을 받으십시오.

## 서비스 및 보증

Motorola Solutions은 RSM 보증을 제공합니다. 자세한 내용은 Motorola Solutions 대리점 또는 구입처에 문의하십시오.



**참고:** 고객이 나열된 교체 부품 이외의 부품으로 교체하면 보증이 무효화됩니다.

## 인증 마크



## 문의처

### 유럽 연합 문의처

Motorola Solutions,  
Czerwone Maki 82,  
30-392 Krakow, Poland

### 영국 문의처

Motorola Solutions UK Ltd.,  
Nova South, 160 Victoria Street,  
London, SW1E 5LB,  
United Kingdom

## 연락처

CMSO(중앙 관리 지원 작업)는 Motorola Solutions과 사용자 조직의 서비스 계약에 포함된 기술 지원을 위한 기본 연락처입니다.

서비스 계약 고객은 다음과 같이 계약에서 고객 책임 아래에 나열된 모든 상황에서 CMSO에 연락해야 합니다.

- 조치를 취하기 전에 문제 해결 결과 및 분석을 확인하기 위해

사용자 조직에 전달된 해당 지역 및 서비스 계약에 대한 지원 전화번호와 기타 연락처 정보를 사용하면 가장 효율적인 응답을 받을 수 있습니다. 그러나 필요한 경우 다음 단계를 따라 Motorola Solutions 웹사이트에서 일반 지원 연락처 정보를 찾을 수도 있습니다.

- 1 브라우저에서 [motorolasolutions.com](https://motorolasolutions.com)을 입력합니다.
- 2 조직의 국가 또는 지역이 페이지에 표시되는지 확인합니다. 지역 이름을 클릭하거나 탭하면 변경하는 방법이 제공됩니다.
- 3 [motorolasolutions.com](https://motorolasolutions.com) 페이지에서 "지원"을 선택합니다.

### 의견

사용 설명서와 관련된 질문과 의견은 [documentation@motorolasolutions.com](mailto:documentation@motorolasolutions.com)으로 보내주십시오.

문서 오류를 보고할 때는 다음 정보를 제출해 주십시오.

- 문서 제목 및 부품 번호
- 오류가 있는 페이지 번호 또는 섹션 제목
- 오류에 대한 설명

Motorola Solutions은 시스템 학습을 지원하기 위해 설계된 다양한 과정을 제공합니다. 자세한 내용은 <https://learning.motorolasolutions.com>으로 이동하여 현재 개설된 과정 및 기술 경로를 확인하십시오.

# 아이콘 규칙

이 문서 모음에는 사용자의 이해를 돕기 위한 다양한 아이콘이 있습니다. 다음 아이콘은 문서 모음 전반에 사용됩니다.



**위험:** 관련 안전 아이콘과 함께 표시되는 "위험"은 무시할 경우 심각한 상해 또는 사망을 초래할 수 있는 정보를 나타냅니다.



**경고:** 관련 안전 아이콘과 함께 표시되는 "경고"는 무시할 경우 심각한 상해, 사망 또는 심각한 제품 손상을 초래할 수 있는 정보를 나타냅니다.



**주의:** 관련 안전 아이콘과 함께 표시되는 "주의"는 무시할 경우 경미하거나 심각하지 않은 상해 또는 심각한 제품 손상을 초래할 수 있는 정보를 나타냅니다.

**주의:** 안전 아이콘이 표시되지 않는 "주의"는 제품과 관련이 없는 잠재적인 손상이나 상해를 나타냅니다.



**중요:** "중요"는 중요한 정보이지만 주의나 경고 수준이 아닌 정보를 나타냅니다. 중요 표시와 연관된 경고 레벨은 없습니다.




**참고:** "참고"에는 예외 사항이나 선결 조건과 같이 주변 내용보다 더 중요한 정보가 있습니다. 또한 참고는 사용자에게 다른 곳에 있는 추가 정보를 알려주거나, 동작을 완료하는 방법을 상기시켜 주거나(예: 현재 절차의 일부가 아닌 경우), 화면에서 무언가가 어디에 있는지 설명해 줍니다. 참고와 연관된 경고 레벨은 없습니다.



# 스타일 규칙

다음과 같은 스타일 규칙을 사용합니다.

규칙	설명
굵은 글꼴	이 서체는 화면에 이름이 나타날 때 창, 버튼 및 라벨 이름에 사용됩니다 (예: <b>Alarms Browser</b> (경보 브라우저) 창). 확실한 것(예: 버튼)을 가리킬 때 이름이 단독으로 사용됩니다(예: <b>OK</b> (확인)를 클릭합니다.).
Monospacing font in bold	이 서체는 텍스트에 표시된 대로 정확하게 입력하는 단어에 사용됩니다 (예: <b>Address</b> (주소) 필드에 <code>http://ucs01.ucs:9080/</code> 을 입력합니다.).
고정 너비 글꼴	이 서체는 메시지, 프롬프트 및 컴퓨터 화면에 표시되는 다른 텍스트에 사용됩니다(예: A new trap destination has been added).
<굵은 기울임꼴 고정 너비 글꼴>	이 서체는 단어가 나타내는 특정 그룹 구성원의 자리 표시자로 꺾쇠 괄호와 함께 사용됩니다(예: <라우터 번호>).  <b>참고:</b> 입력되는 순서에서 꺾쇠 괄호는 입력할 텍스트에 꺾쇠 괄호 포함 여부를 혼동하지 않도록 생략됩니다.
대문자	이 서체는 키보드 키에 사용됩니다(예: Y를 누른 후 ENTER를 누릅니다.).
기울임꼴	이 서체는 인용에 사용됩니다. 일반적으로 인용은 문서 이름이거나 다른 문서에서 온 구문입니다(예: <i>Dimetra IP 시스템 개요</i> ).
→	→(오른쪽 화살표)는 특정 메뉴 항목(예: <b>File</b> → <b>Save</b> ) 또는 특정 하위 탭을 선택하는 방법에서 메뉴 또는 탭 구조를 나타내는 데 사용됩니다.

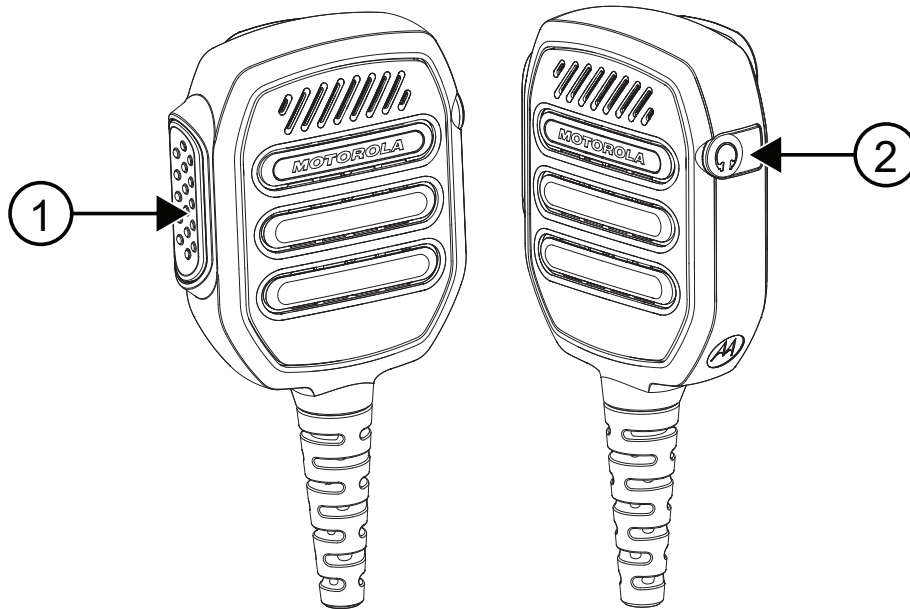
# 목차

<b>안전 및 법률</b> .....	<b>2</b>
지적 재산권 및 규제 고지.....	2
휴대용 양방향 무전기에 대한 RF 에너지 노출 및 제품 안전 설명서.....	3
청각 안전.....	3
서비스 및 보증.....	3
인증 마크.....	3
문의처.....	3
<b>연락처</b> .....	<b>4</b>
<b>아이콘 규칙</b> .....	<b>5</b>
<b>스타일 규칙</b> .....	<b>6</b>
<b>장 1: 제품 개요</b> .....	<b>8</b>
1.1 호환 가능한 보조 오디오 액세서리.....	8
1.2 교체 부품.....	9
1.2.1 스위블 클립 부착.....	10
1.2.2 스위블 클립 분리.....	11
1.2.3 먼지 커버 분리.....	11
1.2.4 먼지 커버 삽입.....	12
<b>장 2: 작동 지침</b> .....	<b>13</b>
2.1 RSM을 무전기에 부착.....	13
2.2 무전기에서 RSM 분리.....	13
<b>장 3: 권장 사용법</b> .....	<b>14</b>
3.1 공통 관리.....	14
3.2 송신 및 수신.....	15
3.3 권장 RSM 착용 위치.....	16
3.4 케이블 관리.....	16

## 장 1

# 제품 개요

이 사용 설명서는 3.5mm 오디오 잭이 있는 RM110 원격 스피커 마이크(IP55), PMMN4148에 대해 설명합니다.



번호	설명
1	PTT(Push-to-Talk) 버튼
2	먼지 커버가 있는 수신 전용 3.5mm 오디오 잭 (논스레드)

### 1.1 호환 가능한 보조 오디오 액세서리

번호	설명
PMLN8120	RX 전용 xL 투명 튜브 이어폰, 3.5mm 잭

## 1.2 교체 부품

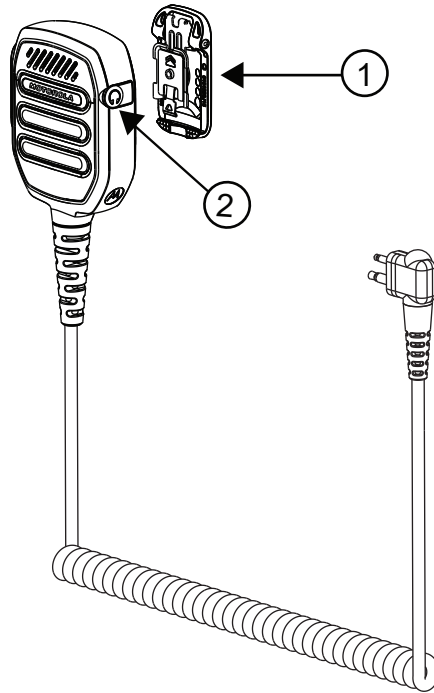
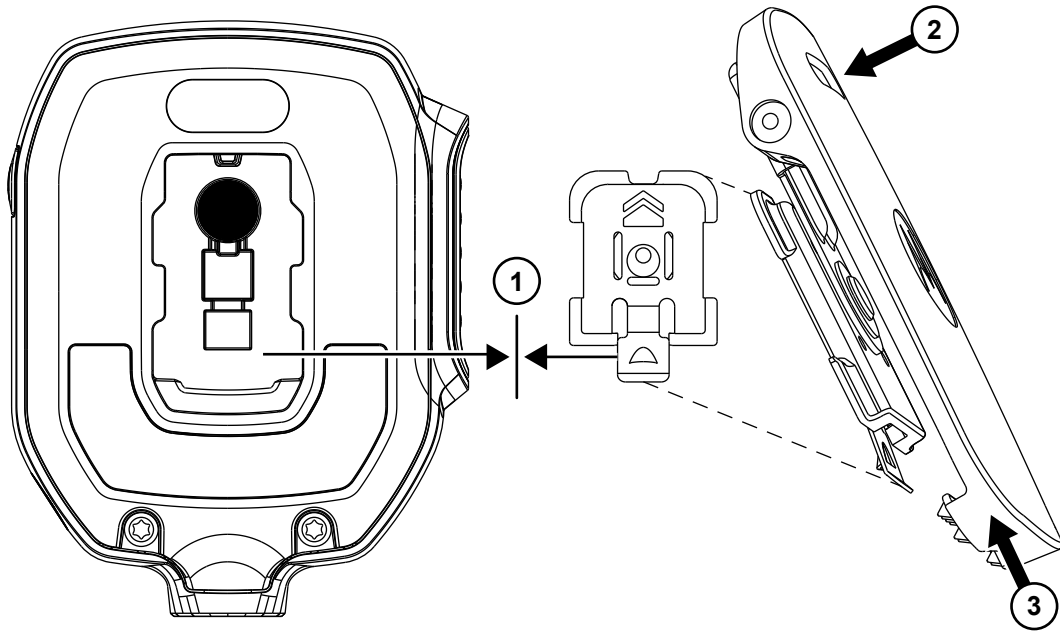


표 1: 교체 부품 콜아웃

번호	설명
1	로우 프로파일 스위블 클립(PMLN8121)
2	먼지 커버 10개/팩(PMLN8253)

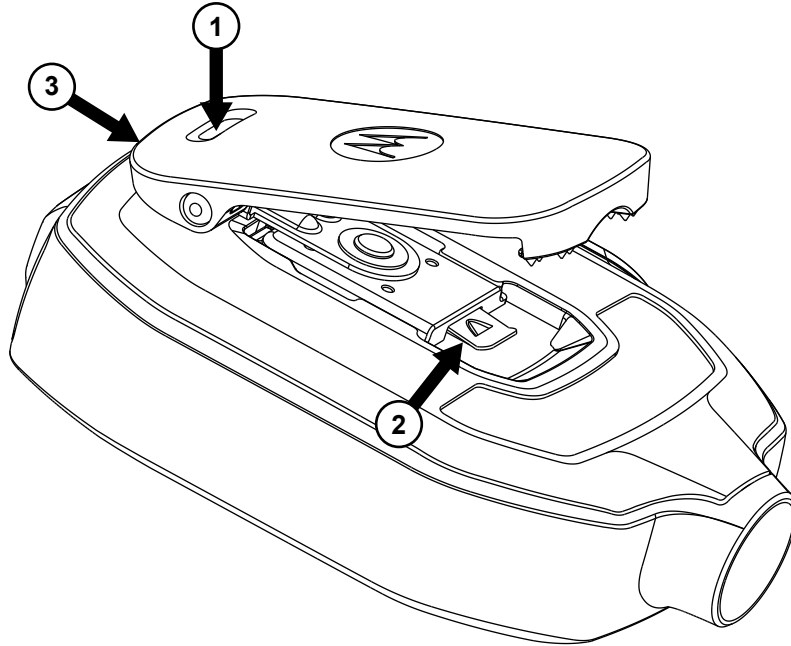
### 1.2.1 스위블 클립 부착



#### 절차:

- 1 하단 고정쇠를 아래로 향하게 맞춥니다.
- 2 클립의 상단을 아래로 누릅니다.
- 3 동시에 클립을 위로 밀니다.

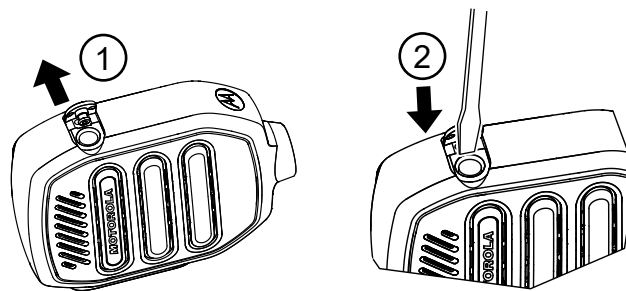
### 1.2.2 스위블 클립 분리



**절차:**

- 1 클립의 상단을 눌러 클립을 가장 높은 위치까지 올립니다.
- 2 하단 고정쇠를 들어 올립니다.
- 3 클립을 밀어서 제거합니다.

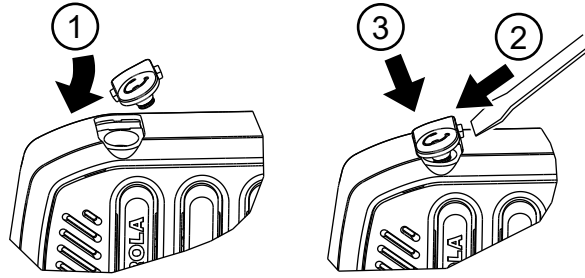
### 1.2.3 먼지 커버 분리



**절차:**

- 1 먼지 덮개가 완전히 열릴 때까지 들어 올립니다.
- 2 작은 평면 팁 도구를 틈에 넣고 먼지 덮개를 들어 올립니다.

### 1.2.4 먼지 커버 삽입



**절차:**

- 1 먼지 커버의 측면 탭을 틈 슬롯에 밀어 넣습니다.
- 2 소형 공구를 사용해 반대쪽을 밀니다.
- 3 동시에 RSM에 먼지 커버를 밀어 넣습니다.

## 장 2

# 작동 지침

이 섹션에서는 원격 스피커 마이크를 사용하는 방법에 대한 지침을 제공합니다.

### 2.1

## RSM을 무전기에 부착

**선수 과정:** 무전기를 끕니다.



**참고:** 제대로 작동하려면 RSM을 무전기에 연결하기 전에 무전기를 끄십시오. RSM을 무전기에 연결하면 무전기 스피커가 비활성화되지만 무전기의 마이크와 PTT는 비활성화되지 않습니다.

**절차:**

무전기의 측면 커넥터에 원격 스피커 마이크(RSM) 커넥터를 연결합니다.

### 2.2

## 무전기에서 RSM 분리

**선수 과정:** 무전기를 끕니다.

**사용할 시기 및 장소:**

**절차:**

- 1 무전기 측면 커넥터에서 원격 스피커 마이크(RSM) 커넥터를 분리합니다.
- 2 보조 액세서리를 사용하지 않을 때는 RSM의 오디오 잭에 먼지 커버를 삽입한 후 보관해야 합니다.

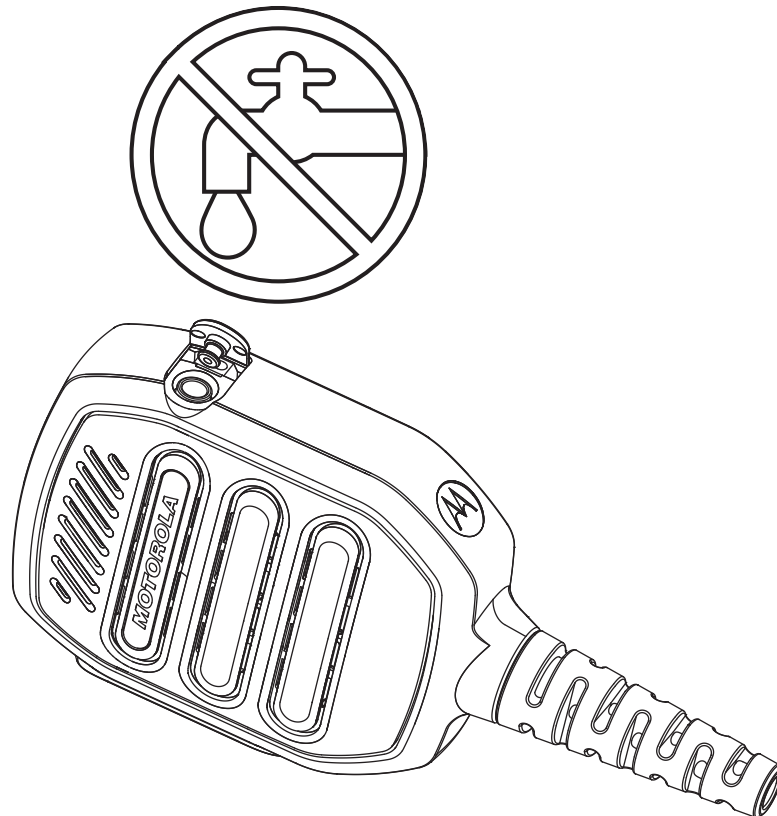


## 장 3

# 권장 사용법

이 섹션에서는 원격 스피커 마이크(RSM)의 권장 사용법에 대한 정보를 제공합니다.

### 3.1 공통 관리



- 오디오 잭을 이어폰과 연결하지 않은 경우에는 먼지 커버로 덮으십시오. 오디오 잭에 물을 넣지 마십시오.
- 오디오 잭에 물이 들어갈 경우 RSM을 흔들어서 물을 제거합니다.

### 3.2 송신 및 수신

그림 1: 송신

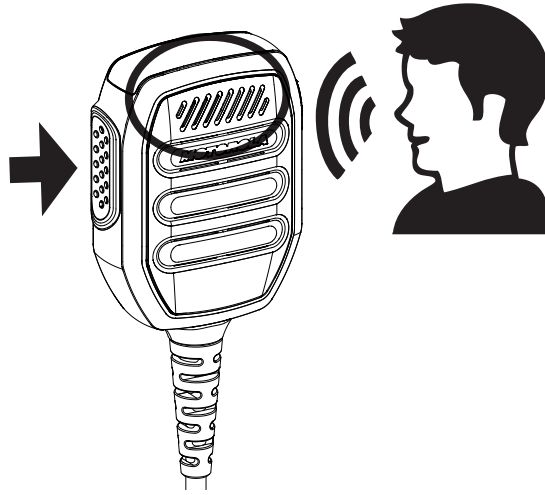


그림 2: 수신



### 3.3 권장 RSM 착용 위치

그림 3: 권장 착용 위치



**참고:** 성능을 향상시키려면 RSM과 장치를 동일한 쪽에 착용합니다.

### 3.4 케이블 관리

이 섹션에서는 권장되는 케이블 위치를 설명합니다.

그림 4: 권장됨

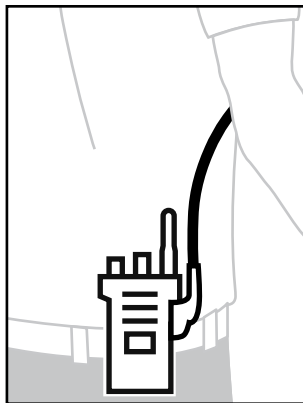
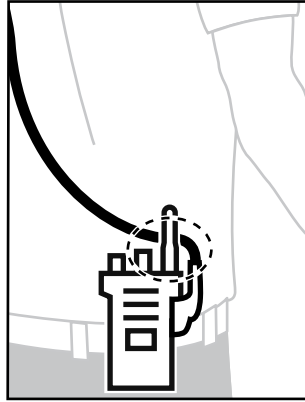


그림 5: 권장되지 않음



최적의 범위와 사용자 경험을 위해 무선기 안테나와 액세서리 케이블을 교차하지 않는 것이 좋습니다.



# **Panduan Pengguna Mikrofon Speaker Jarak Jauh RM110 dengan Jack Audio 3,5 mm (IP55) PMMN4148**

**MARET 2023**

© 2023 Motorola Solutions, Inc. All rights reserved



MN009681A01-AA

# Keselamatan dan Hukum

Bagian ini berisi informasi keselamatan dan hukum terkait produk ini.

## Pemberitahuan Peraturan dan Kekayaan intelektual

### Hak Cipta

Produk Motorola Solutions yang dijelaskan dalam dokumen ini mungkin mencakup program komputer Motorola Solutions berhak cipta. Undang-undang di Amerika Serikat dan negara lain yang termasuk dalam cakupan Motorola Solutions memiliki hak eksklusif atas program komputer berhak cipta. Oleh karena itu, semua program komputer Motorola Solutions berhak cipta yang terdapat dalam produk Motorola Solutions yang diuraikan dalam manual ini dilarang disalin atau diperbanyak dengan cara apa pun tanpa persetujuan tertulis yang jelas dari Motorola Solutions.

Semua atau sebagian dokumen ini dilarang diperbanyak, dikirim, disimpan dalam sistem pemulihan, atau diterjemahkan ke dalam bahasa atau bahasa komputer tertentu, dengan bentuk atau cara apa pun, tanpa persetujuan tertulis yang jelas dari Motorola Solutions, Inc.

### Merek dagang

MOTOROLA, MOTO, MOTOROLA SOLUTIONS, dan logo Stylized M merupakan merek dagang atau merek dagang terdaftar dari Motorola Trademark Holdings, LLC dan digunakan dengan lisensi. Semua merek dagang lain adalah hak milik dari pemiliknya masing-masing.

### Izin Lisensi

Selanjutnya, pembelian produk Motorola Solutions tidak boleh dianggap sebagai memberikan, baik secara langsung atau secara implisit, estoppel, atau cara lainnya, lisensi apa pun berdasarkan hak cipta, hak paten atau penerapan hak paten Motorola Solutions, kecuali untuk lisensi noneksklusif dan bebas royalti normal untuk penggunaan yang timbul berdasarkan hukum penjualan produk.

### Konten Sumber Terbuka

Produk ini dapat berisi perangkat lunak Sumber Terbuka yang digunakan berdasarkan lisensi. Rujuk ke media pemasangan produk untuk mengetahui informasi Pemberitahuan Hukum Sumber Terbuka dan konten Atribusi yang lengkap.

### Pedoman Limbah Peralatan Listrik dan Elektronik (WEEE) Uni Eropa (UE) dan Inggris



Direktif WEEE Uni Eropa dan peraturan WEEE Inggris mewajibkan produk yang dijual di negara-negara UE dan Inggris harus memiliki label keranjang sampah disilang (atau pada kemasannya dalam beberapa kasus). Seperti yang didefinisikan dalam pedoman WEEE, label keranjang sampah disilang berarti pelanggan dan pengguna akhir di UE dan Inggris tidak boleh membuang barang elektronik dan perlengkapan atau aksesoris elektronik ke dalam kategori limbah rumah tangga.

Pelanggan atau pengguna akhir di negara-negara UE dan Inggris harus menghubungi perwakilan pemasok perlengkapan atau pusat layanan setempat untuk informasi mengenai sistem pengumpulan limbah di negara tersebut.

## Penafian

Perlu diperhatikan bahwa beberapa fitur, fasilitas, dan kemampuan yang dijelaskan dalam dokumen ini mungkin tidak berlaku atau berlisensi untuk penggunaan pada sistem khusus, atau mungkin tergantung pada karakteristik unit subscriber mobile atau konfigurasi parameter khusus. Harap hubungi kontak Motorola Solutions untuk informasi selengkapnya.

© 2023 Motorola Solutions, Inc. Hak Cipta Dilindungi Undang-Undang

## Panduan Keselamatan Produk dan Paparan Energi RF untuk Radio Dua Arah Portabel

### PERHATIAN:

Sebelum menggunakan aksesori ini, bacalah panduan ini yang berisi petunjuk pengoperasian penting terkait keselamatan penggunaan, kesadaran akan energi RF, serta kontrol demi mematuhi standar dan peraturan yang berlaku.

Saat dipasang di radio, Mikrofon Speaker Jarak Jauh (RSM) hanya boleh digunakan terkait pekerjaan guna memenuhi persyaratan paparan energi RF FCC/ICNIRP. Sebelum menggunakan produk ini, bacalah informasi mengenai kesadaran akan energi RF dan petunjuk pengoperasian di dalam buklet Keselamatan Produk dan Paparan RF yang disertakan bersama radio Anda demi mematuhi batas paparan energi RF.

## Keselamatan Akustik

Paparan terhadap suara bising dari segala sumber untuk jangka waktu yang lama dapat memengaruhi pendengaran Anda untuk sementara atau permanen. Makin keras volume radio, makin cepat pendengaran Anda terpengaruh. Kerusakan pendengaran akibat suara bising terkadang tidak dapat terdeteksi di awal, dan dapat menyebabkan efek kumulatif. Untuk melindungi pendengaran Anda:

- Gunakan volume terendah yang diperlukan untuk melakukan pekerjaan Anda.
- Keraskan volume hanya jika Anda berada di lingkungan yang bising.
- Kecilkan volume sebelum menggunakan headset atau earpiece.
- Batasi waktu penggunaan headset atau earpiece dengan volume keras.
- Jika menggunakan radio tanpa headset atau earpiece, jangan menempatkan speaker radio di samping telinga Anda secara langsung.
- Jika Anda mengalami ketidaknyamanan pendengaran, telinga berdenging, atau suara yang terdengar tidak jelas, hentikan penggunaan headset atau earpiece pada radio, dan periksakan pendengaran Anda dengan dokter.

## Servis dan Garansi

Motorola Solutions menawarkan garansi untuk RSM Anda. Kunjungi dealer Motorola Solutions atau tempat pembelian untuk mengetahui informasi selengkapnya.



**CATATAN:** Garansi tidak berlaku jika pelanggan mengganti komponen dengan komponen pengganti selain yang tercantum.

## Tanda Sertifikasi



## Alamat Kontak

### **Kontak di Uni Eropa**

Motorola Solutions,  
Czerwone Maki 82,  
30-392 Krakow, Polandia

### **Kontak di Inggris**

Motorola Solutions UK Ltd.,  
Nova South, 160 Victoria Street,  
London, SW1E 5LB,  
Inggris



# Hubungi Kami

Centralized Managed Support Operations (CMSO) adalah kontak utama untuk dukungan teknis yang termasuk dalam perjanjian layanan organisasi Anda dengan Motorola Solutions.

Pelanggan perjanjian layanan dianjurkan menghubungi CMSO dalam semua situasi yang tercantum di Tanggung Jawab Pelanggan dalam perjanjiannya, seperti:

- Untuk memastikan hasil pemecahan masalah dan analisis sebelum mengambil tindakan

Organisasi Anda menerima nomor telepon dukungan dan informasi kontak lainnya yang sesuai dengan wilayah geografis dan perjanjian layanan Anda. Gunakan informasi kontak tersebut untuk mendapatkan respons yang paling efisien. Namun, jika diperlukan, Anda juga dapat menemukan informasi kontak dukungan umum di situs web Motorola Solutions dengan mengikuti langkah-langkah berikut:

- 1 Buka [motorolasolutions.com](https://motorolasolutions.com) di browser Anda.
- 2 Pastikan negara atau wilayah organisasi Anda ditampilkan pada halaman tersebut. Klik atau ketuk nama wilayah untuk mengubahnya.
- 3 Pilih "Dukungan" pada halaman [motorolasolutions.com](https://motorolasolutions.com).

## Komentar

Kirimkan pertanyaan dan komentar terkait dokumentasi pengguna ke [documentation@motorolasolutions.com](mailto:documentation@motorolasolutions.com).

Berikan informasi berikut saat melaporkan kesalahan dokumentasi:

- Judul dokumen dan nomor komponen
- Nomor halaman atau judul bagian yang memiliki kesalahan
- Deskripsi kesalahan

Motorola Solutions menawarkan berbagai kursus yang dirancang untuk membantu mempelajari sistem. Untuk mengetahui informasi tersebut, buka <https://learning.motorolasolutions.com> untuk melihat penawaran kursus dan jalur teknologi saat ini.

# Konvensi Ikon

Rangkaian dokumentasi ini dirancang untuk memberikan lebih banyak petunjuk visual kepada pembaca. Ikon grafis berikut digunakan di seluruh rangkaian dokumentasi.



**BAHAYA:** Kata pertanda BAHAYA dengan ikon keselamatan terkait menyiratkan informasi yang, jika diabaikan, akan mengakibatkan kematian atau cedera serius.



**PERINGATAN:** Kata pertanda PERINGATAN dengan ikon keselamatan terkait menyiratkan informasi yang, jika diabaikan, dapat mengakibatkan kematian atau cedera serius, atau kerusakan produk serius.



**PERHATIAN:** Kata pertanda PERHATIAN dengan ikon keselamatan terkait menyiratkan informasi yang, jika diabaikan, mungkin mengakibatkan cedera ringan hingga sedang, atau kerusakan produk serius.

**PERHATIAN:** Kata pertanda PERHATIAN mungkin digunakan tanpa ikon keselamatan untuk menyatakan potensi kerusakan atau cedera yang tidak terkait dengan produk.




**PENTING:** Pernyataan PENTING berisi informasi yang krusial untuk dibahas, tetapi bukan PERHATIAN atau PERINGATAN. Tidak ada tingkat peringatan yang terkait dengan pernyataan PENTING.



**CATATAN:** PEMBERITAHUAN berisi informasi yang lebih penting dari teks di sekitarnya, seperti pengecualian atau prasyarat. Hal ini juga mengarahkan pembaca ke tempat lain untuk mengetahui informasi tambahan, mengingatkan pembaca cara menyelesaikan tindakan (misalnya ketika tindakan tersebut bukan bagian dari prosedur ini), atau memberi tahu pembaca letak suatu hal di layar. Tidak ada tingkat peringatan yang terkait dengan pemberitahuan.

# Konvensi Gaya

Konvensi gaya berikut digunakan:

Konvensi	Deskripsi
<b>Cetak Tebal</b>	Rupa huruf ini digunakan untuk nama-nama, misalnya, jendela, tombol, dan label ketika nama-nama tersebut muncul di layar (contoh: Jendela <b>Alarms Browser</b> ). Ketika rujukannya jelas, misalnya tombol, nama tersebut digunakan sendiri (contoh: Klik <b>OK</b> ).
Monospacing font in bold	Rupa huruf ini digunakan untuk kata-kata yang akan diketik persis seperti yang ditampilkan dalam teks (contoh: Dalam bidang <b>Address</b> , ketikkan <code>http://ucs01.ucs:9080/</code> ).
Monospacing font	Rupa huruf ini digunakan untuk pesan, perintah, dan teks lain yang ditampilkan di layar komputer (contoh: <code>A new trap destination has been added</code> ).
<b>&lt;Fon satu spasi dalam cetak Miring tebal&gt;</b>	Rupa huruf ini digunakan dengan tanda kurung sudut sebagai placeholder untuk anggota grup tertentu yang berisi kata-kata (contoh: <code>&lt;nomor router&gt;</code> ).   <b>CATATAN:</b> Dalam urutan pengetikan, tanda kurung sudut dihilangkan agar tidak timbul kebingungan untuk memasukkannya dalam teks yang akan diketik.
CAPITAL LETTERS	Rupa huruf ini digunakan untuk tombol keyboard (contoh: Tekan Y, lalu tekan ENTER).
<i>Cetak Miring</i>	Rupa huruf ini digunakan untuk kutipan. Kutipan biasanya berupa nama dokumen atau frasa dari dokumen lain (contoh: <i>Ikhtisar Sistem IP Dimetra</i> ).
→	Simbol → (panah kanan) digunakan untuk menunjukkan struktur menu atau tab dalam petunjuk cara memilih item menu tertentu (contoh: <b>File</b> → <b>Save</b> ) atau sub-tab tertentu.

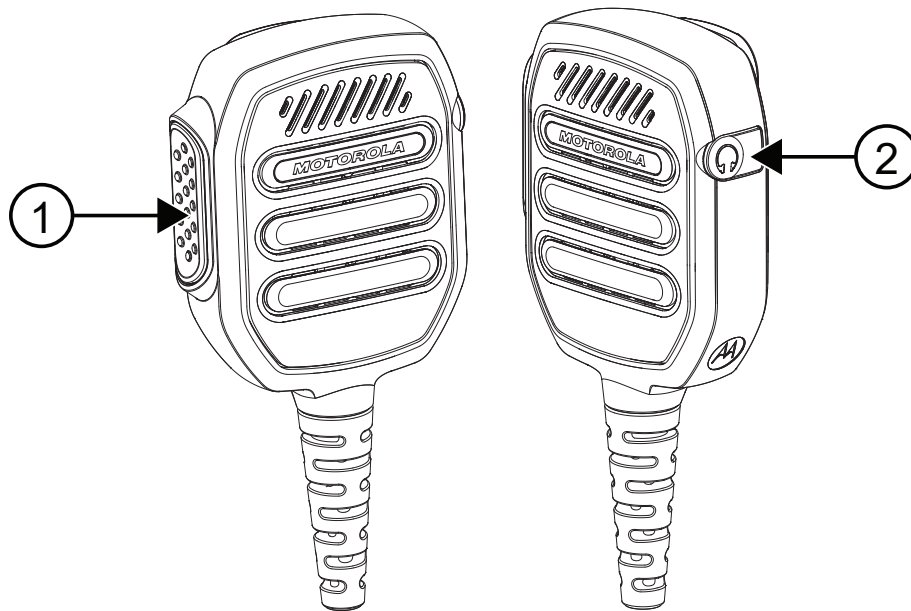
# Daftar Isi

<b>Keselamatan dan Hukum.....</b>	<b>2</b>
Pemberitahuan Peraturan dan Kekayaan intelektual.....	2
Panduan Keselamatan Produk dan Paparan Energi RF untuk Radio Dua Arah Portabel.....	3
Keselamatan Akustik.....	3
Servis dan Garansi.....	3
Tanda Sertifikasi.....	3
Alamat Kontak.....	4
<b>Hubungi Kami.....</b>	<b>5</b>
<b>Konvensi Ikon.....</b>	<b>6</b>
<b>Konvensi Gaya.....</b>	<b>7</b>
<b>Bab 1: Ikhtisar Produk.....</b>	<b>9</b>
1.1 Aksesori Audio Sekunder yang Kompatibel.....	9
1.2 Komponen Pengganti.....	10
1.2.1 Memasang Klip Putar.....	11
1.2.2 Melepas Klip Putar.....	12
1.2.3 Melepas Pelindung Debu.....	12
1.2.4 Memasang Pelindung Debu.....	13
<b>Bab 2: Petunjuk Pengoperasian.....</b>	<b>14</b>
2.1 Memasang RSM ke Radio.....	14
2.2 Melepas RSM dari Radio.....	14
<b>Bab 3: Praktik yang Direkomendasikan.....</b>	<b>15</b>
3.1 Perawatan Umum.....	15
3.2 Mengirim dan Menerima.....	16
3.3 Posisi Penggunaan RSM yang Direkomendasikan.....	17
3.4 Manajemen Kabel.....	17

## Bab 1

# Ikhtisar Produk

Buku petunjuk pengguna ini menjelaskan Mikrofon Speaker Jarak Jauh RM110, dengan Jack Audio 3,5 mm (IP55), PMMN4148.



Nomor	Deskripsi
1	Tombol Push-to-Talk
2	Jack Audio 3,5 mm (tidak berulir) hanya terima yang tertutup Pelindung Debu

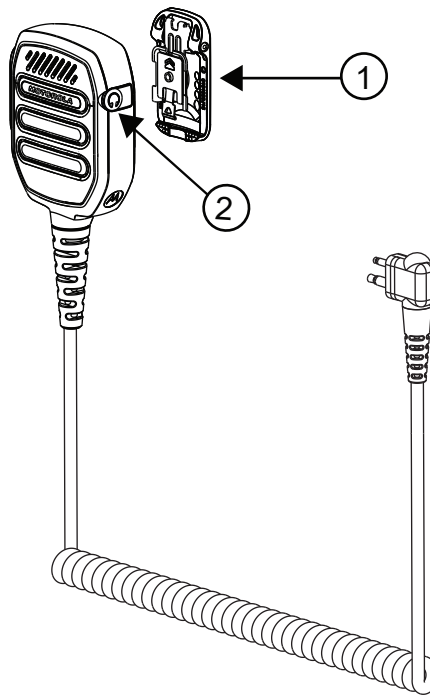
### 1.1

## Aksesori Audio Sekunder yang Kompatibel

No.	Deskripsi
PMLN8120	Earpiece Kabel Bening xL hanya Rx, Jack 3,5 mm

1.2

## Komponen Pengganti

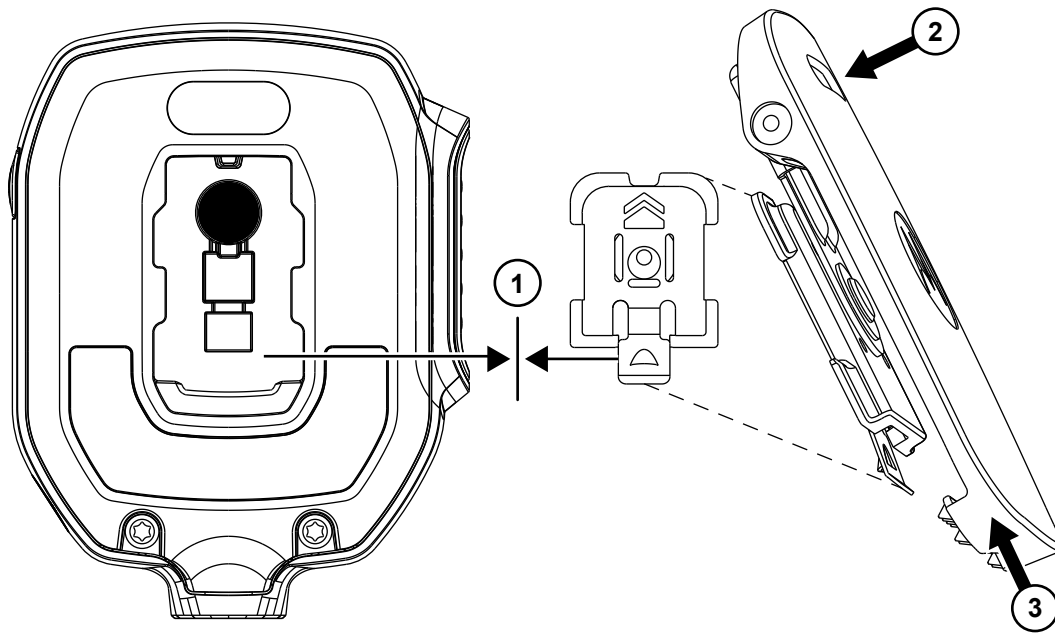


Tabel 1: Keterangan Komponen Pengganti

No.	Deskripsi
1	Klip Putar Low Profile (PMLN8121)
2	Pelindung Debu 10 buah/pak (PMLN8253)

1.2.1

## Memasang Klip Putar

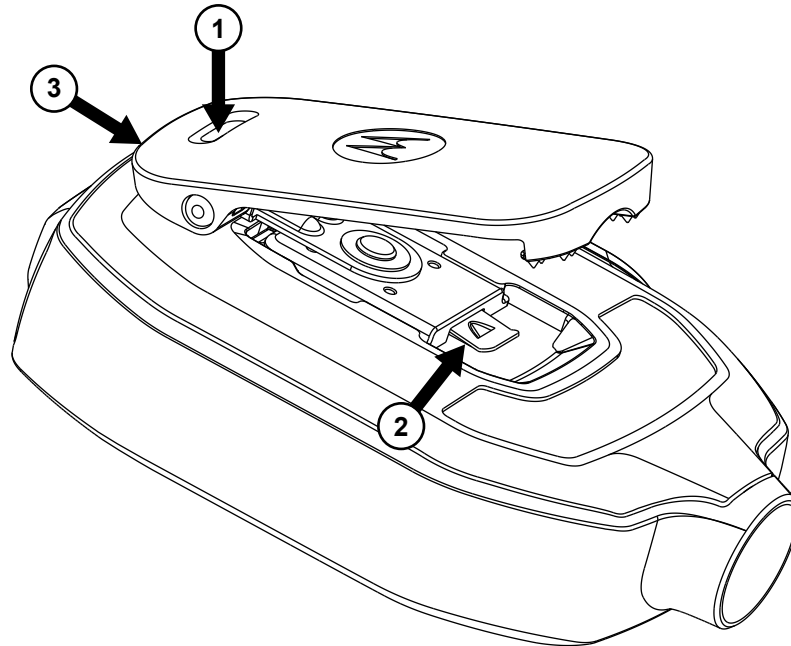


**Prosedur:**

- 1 Sejajarkan Pengait Rilis Bawah hingga menghadap ke bawah.
- 2 Tekan bagian atas klip ke bawah.
- 3 Geser klip ke atas secara bersamaan.

### 1.2.2

## Melepas Klip Putar

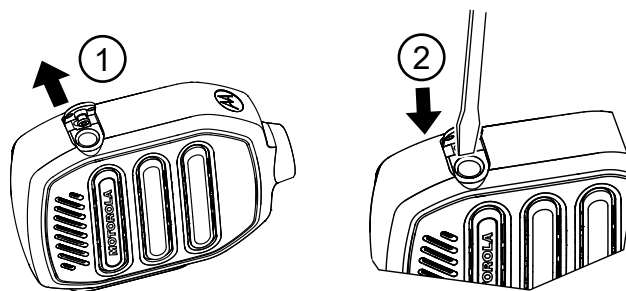


### Prosedur:

- 1 Tekan bagian atas klip untuk mengangkatnya ke posisi tertinggi.
- 2 Angkat pengait rilis bawah.
- 3 Geser klip untuk melepas klip.

### 1.2.3

## Melepas Pelindung Debu



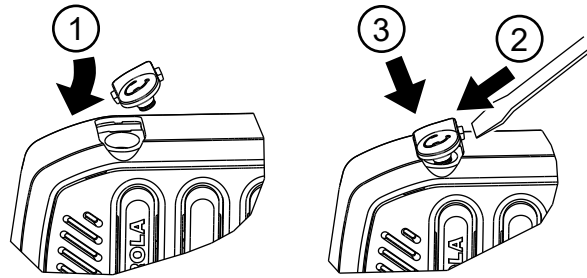
### Prosedur:

- 1 Angkat pelindung debu hingga terbuka sepenuhnya.
- 2 Masukkan alat kecil dengan ujung datar ke dalam ceruk, lalu cangkil pelindung debu.



1.2.4

## Memasang Pelindung Debu



**Prosedur:**

- 1 Geser tab samping Pelindung Debu ke dalam slot ceruk.
- 2 Dorong sisi yang berlawanan menggunakan alat kecil.
- 3 Tekan Pelindung Debu ke dalam RSM secara bersamaan.

## Bab 2

# Petunjuk Pengoperasian

Bagian ini berisi panduan cara menggunakan Mikrofon Speaker Jarak Jauh.

## 2.1

### Memasang RSM ke Radio

**Prasyarat:** Matikan radio Anda.



**CATATAN:** Demi operasi yang benar, matikan radio sebelum memasang RSM ke radio. Pemasangan RSM ke radio akan menonaktifkan speaker radio, tetapi tidak menonaktifkan mikrofon dan PTT radio.

**Prosedur:**

Pasang konektor Mikrofon Speaker Jarak Jauh (RSM) ke konektor samping radio.

## 2.2

### Melepas RSM dari Radio

**Prasyarat:** Matikan radio Anda.

**Waktu dan tempat penggunaan:**

**Prosedur:**

- 1 Lepaskan konektor Mikrofon Speaker Jarak Jauh (RSM) dari konektor samping radio.
- 2 Biarkan pelindung debu tetap terpasang di jack audio RSM jika aksesori sekunder sedang tidak digunakan.

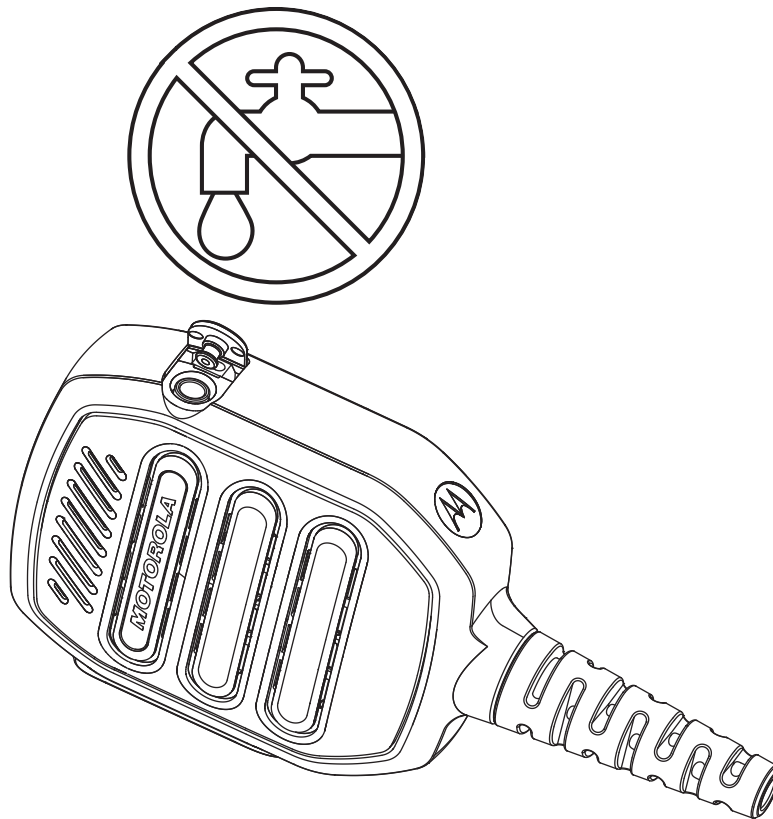
## Bab 3

# Praktik yang Direkomendasikan

Bagian ini berisi informasi mengenai praktik yang direkomendasikan terkait Mikrofon Speaker Jarak Jauh (RSM).

### 3.1

## Perawatan Umum

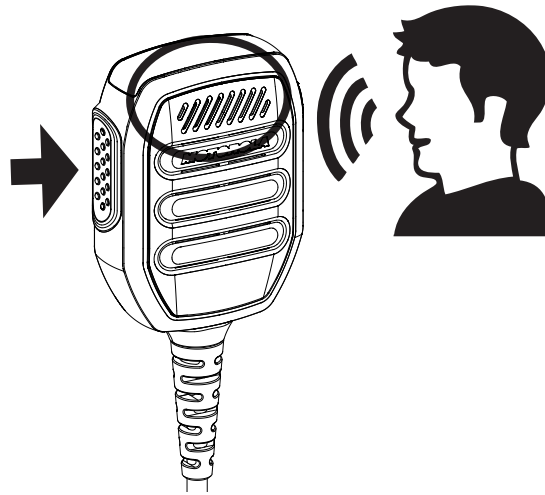


- Tutup jack audio dengan pelindung debu jika sedang tidak menggunakan earpiece. Jangan sampai air masuk ke dalam jack audio.
- Jika air masuk ke dalam jack audio, keluarkan air dengan menggoyangkan RSM.

3.2

## Mengirim dan Menerima

**Gambar 1: Mengirim**



**Gambar 2: Menerima**



3.3

## Posisi Penggunaan RSM yang Direkomendasikan

Gambar 3: Posisi Penggunaan yang Direkomendasikan



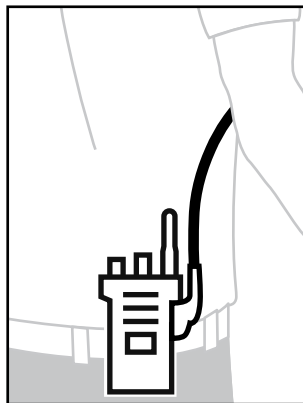
**CATATAN:** Demi performa yang lebih baik, gunakan RSM dan perangkat di sisi yang sama.

3.4

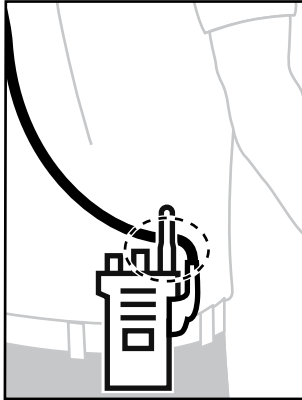
## Manajemen Kabel

Bagian ini menjelaskan posisi kabel yang direkomendasikan.

Gambar 4: Direkomendasikan



**Gambar 5: Tidak Direkomendasikan**



Demi jangkauan dan pengalaman pengguna yang optimal, sebaiknya jangan menyalangkan kabel aksesori dengan antena radio.



# **PMMN4148 RM110**

## **Lautsprechermikrofon mit 3,5-mm-Audiobuchse (IP55) – Benutzerhandbuch**

**MÄRZ 2023**

© 2023 Motorola Solutions, Inc. All rights reserved



MN009681A01-AA

# Sicherheit und Recht

Dieser Abschnitt enthält die Sicherheits- und rechtlichen Informationen für dieses Produkt.

## Hinweise zu geistigem Eigentum und gesetzlichen Bestimmungen

### Copyright

Die in diesem Dokument beschriebenen Motorola Solutions-Produkte können durch Copyright geschützte Computerprogramme von Motorola Solutions enthalten. Nach den Gesetzen der USA und anderer Staaten sind bestimmte exklusive Rechte an der urheberrechtlich geschützten Software der Firma Motorola Solutions vorbehalten. Demzufolge dürfen urheberrechtlich geschützte Computerprogramme von Motorola Solutions, die zusammen mit den in diesem Dokument beschriebenen Motorola Solutions-Produkten ausgeliefert werden, ohne die vorherige schriftliche Genehmigung von Motorola Solutions weder kopiert noch in jeglicher Form reproduziert werden.

Die Vervielfältigung, Übertragung, Speicherung in einem Abrufsystem oder Übersetzung in eine Sprache oder Computersprache ist für keinen Teil dieses Dokuments in keinerlei Form und durch keinerlei Methode ohne vorherige schriftliche Genehmigung von Motorola Solutions Inc. gestattet.

### Marken

MOTOROLA, MOTO, MOTOROLA SOLUTIONS und das stilisierte M-Logo sind Marken oder eingetragene Marken von Motorola Trademark Holdings, LLC und werden unter Lizenz verwendet. Alle anderen Marken sind Eigentum ihrer jeweiligen Inhaber.

### Lizenzrechte

Mit dem Kauf von Produkten von Motorola Solutions werden weder ausdrücklich noch stillschweigend, durch Rechtsverwirkung oder auf andere Weise Lizenzen unter dem Copyright, dem Patent oder den Patentanwendungen von Software von Motorola Solutions ausgegeben, außer der Nutzung von gewöhnlichen, nicht exklusiv erteilten, gebührenfreien Lizenzen, die sich aus der Anwendung der Gesetze beim Verkauf eines Produkts ergeben.

### Open-Source-Inhalt

Dieses Produkt kann Open-Source-Software enthalten, die unter Lizenz verwendet wird. Vollständige rechtliche Hinweise und Attributionsinformationen zu Open Source finden Sie in den Produktinstallationsmedien.

### Richtlinie zu Elektro- und Elektronik-Altgeräten (WEEE) der Europäischen Union (EU) und des Vereinigten Königreichs (UK)



■ Gemäß WEEE-Richtlinie (Waste of Electrical and Electronic Equipment, deutsch Elektro- und Elektronikaltgeräte) der EU und des Vereinigten Königreichs besteht für Elektro- und Elektronikgeräte, die in den Mitgliedsländern der Europäischen Union und dem Vereinigten Königreich in Verkehr gebracht werden, Kennzeichnungspflicht. Die Kennzeichnung erfolgt durch ein Etikett mit einer durchgestrichenen Mülltonne, das am Produkt selbst oder an der Verpackung angebracht wird. Wie in der WEEE-Richtlinie festgelegt, bedeutet diese Kennzeichnung, dass Kunden und Endverbraucher in den Mitgliedsländern der Europäischen Union und im Vereinigten Königreich elektrische und elektronische Geräte und Zubehör nicht mit dem Haushaltsmüll entsorgen sollten.



Endverbraucher in den Mitgliedsländern der Europäischen Union und dem Vereinigten Königreich sind angehalten, bei ihrem lokalen Händler oder beim Kundendienst des Herstellers Informationen zum Rücknahmesystem ihres Landes einzuholen.

## Haftungsausschluss

Beachten Sie, dass bestimmte Funktionen, Eigenschaften und Möglichkeiten, die in diesem Dokument beschrieben werden, für ein bestimmtes System möglicherweise nicht gelten oder nicht lizenziert sind oder von den Eigenschaften bestimmter mobiler Endgeräte (Funkgeräte) oder von der Konfiguration bestimmter Parameter abhängen können. Wenden Sie sich für weitere Informationen an Ihren Ansprechpartner von Motorola Solutions.

© 2023 Motorola Solutions, Inc. Alle Rechte vorbehalten

## Handbuch zur HF-Energiestrahlung und Produktsicherheit für Handsprechfunkgeräte

### VORSICHT:

Lesen Sie vor Verwendung des Zubehörs dieses Handbuch, das wichtige Bedienungsanweisungen für den sicheren Umgang und HF-Energiesicherheitsinformationen zur Einhaltung der geltenden Normen und Richtlinien enthält.

Das an das Funkgerät angeschlossene Lautsprechermikrofon (RSM) ist zur Erfüllung der FCC-/ICNIRP-Anforderungen für die HF-Energiebelastung ausschließlich dem beruflichen/gewerblichen Einsatz vorbehalten. Lesen Sie vor Verwendung des Produkts die HF-Energie-Vorsichtsinformationen und die Bedienungsanweisungen in der Broschüre zur Produktsicherheit und Funkfrequenzstrahlung, die dem Funkgerät beiliegt, um die Einhaltung der HF-Energiegrenzwerte zu gewährleisten.

## Gehörschutz

Wenn Sie längere Zeit einem hohen Lärmpegel ausgesetzt sind, kann Ihr Gehör vorübergehend oder dauerhaft Schaden nehmen. Je höher die Lautstärke des Funkgeräts, desto kürzer ist die Zeit, bevor ein Hörschaden eintreten kann. Eine Schädigung des Gehörs durch einen hohen Lärmpegel wird oft nicht rechtzeitig erkannt und kann eine kumulative Wirkung haben. So schützen Sie Ihr Gehör:

- Verwenden Sie die niedrigste Lautstärke, die für Ihre Arbeit erforderlich ist.
- Erhöhen Sie die Lautstärke nur, wenn Sie sich in lauten Umgebungen befinden.
- Verringern Sie die Lautstärke, bevor Sie ein Headset oder einen Ohrhörer nutzen.
- Achten Sie darauf, dass Sie Headsets oder Ohrhörer bei hohen Lautstärken nur eine begrenzte Zeit lang verwenden.
- Bei Verwendung des Funkgeräts ohne Kopfhörer oder Ohrhörer dürfen Sie den Lautsprecher des Funkgeräts nicht direkt an Ihr Ohr halten.
- Wenn Sie Hörbeschwerden haben, ein Klingeln in den Ohren vernehmen oder Gespräche nur gedämpft wahrnehmen, sollten Sie die Wiedergabe über Ihr Funkgerät mit Headset oder Ohrhörer abbrechen und Ihr Gehör von einem Arzt überprüfen lassen.

## Service und Garantie

Motorola Solutions bietet eine Garantie für Ihr RSM. Weitere Informationen erhalten Sie bei Ihrem Motorola Solutions-Händler oder am Einkaufsort.



### HINWEIS:

Die Garantie erlischt, wenn der Kunde Ersatzteile verwendet, die nicht in der Ersatzteilliste aufgeführt sind.

## Prüfzeichen



## Kontaktadresse

### **Kontakt Europäische Union**

Motorola Solutions,  
Czerwone Maki 82,  
30-392 Kraków, Polen

### **Kontakt Vereinigtes Königreich**

Motorola Solutions UK Ltd.,  
Nova South, 160 Victoria Street,  
London, SW1E 5LB,  
Vereinigtes Königreich

# Kontakt

Centralized Managed Support Operations (CMSO) ist der primäre Ansprechpartner für den technischen Support, wie im Servicevertrag Ihres Unternehmens mit Motorola Solutions festgelegt.

Kunden mit Serviceverträgen sollten in allen Situationen, die unter „Verantwortlichkeiten des Kunden“ in ihrem Vertrag aufgeführt sind, zunächst das CMSO kontaktieren. Zum Beispiel:

- um Ergebnisse von Fehlersuchen und -analysen zu bestätigen, bevor Maßnahmen ergriffen werden

Ihr Unternehmen hat Telefonnummern für den Support und weitere Kontaktinformationen erhalten, die für Ihre geografische Region und Ihren Servicevertrag maßgeblich sind. Verwenden Sie diese Kontaktinformationen, um schnellstmögliche Antworten zu erhalten. Wenn es jedoch erforderlich ist, können Sie auch allgemeine Kontaktinformationen zum Support auf der Website von Motorola Solutions finden. Dazu gehen Sie wie folgt vor:

- 1 Geben Sie [motorolasolutions.com](https://motorolasolutions.com) in Ihren Browser ein.
- 2 Stellen Sie sicher, dass das Land oder die Region für Ihr Unternehmen auf der Seite angezeigt wird. Klicken oder tippen Sie auf den Namen der jeweiligen Region, wenn Sie diese ändern möchten.
- 3 Wählen Sie dann auf der Seite [motorolasolutions.com](https://motorolasolutions.com) den Eintrag „Support“ aus.

## Kommentare

Senden Sie Fragen und Kommentare zur Benutzerdokumentation an [documentation@motorolasolutions.com](mailto:documentation@motorolasolutions.com).

Geben Sie die folgenden Informationen beim Melden eines Dokumentfehlers an:

- den Dokumenttitel und die Teilenummer
- die Seitennummer oder den Titel des Abschnitts mit dem Fehler
- eine Beschreibung des Fehlers

Motorola Solutions bietet verschiedene Kurse für die Schulung über das neue System an. Informationen zu aktuellen Kursangeboten und Technologien finden Sie unter <https://learning.motorolasolutions.com>.

# Verwendete Symbole

Visuelle Hinweise im Dokumentationssatz bieten dem Benutzer einen besseren Überblick. Die folgenden grafischen Symbole werden im gesamten Dokumentationssatz verwendet.



**GEFAHR:**

Das Signalwort GEFAHR und das entsprechende Sicherheitssymbol weisen auf Informationen hin, die bei Nichteinhaltung zum Tode oder zu schweren Verletzungen führen.



**WARNUNG:**

Das Signalwort WARNUNG und das entsprechende Sicherheitssymbol weisen auf Informationen hin, die bei Nichteinhaltung zum Tode oder zu schweren Verletzungen sowie zu schweren Beschädigungen des Produkts führen können.



**VORSICHT:**

Das Signalwort VORSICHT und das entsprechende Sicherheitssymbol weisen auf Informationen hin, die bei Nichteinhaltung zu leichten oder mittelschweren Verletzungen sowie zu schweren Beschädigungen des Produkts führen können.

**VORSICHT:**

Das Signalwort VORSICHT kann auch ohne das Sicherheitssymbol verwendet werden, um Sie über potenzielle Schäden oder Verletzungsgefahren zu informieren, die nicht mit dem Produkt in Zusammenhang stehen.



**WICHTIG:**

Mit WICHTIG gekennzeichnete Aussagen enthalten Informationen, die für den aktuell beschriebenen Vorgang wichtig sind, jedoch nicht unter die Kategorien VORSICHT und WARNUNG fallen. Inhalte, die als WICHTIG gekennzeichnet sind, sind keiner Warnstufe zugeordnet.




**HINWEIS:**

HINWEISE enthalten Informationen, die wichtiger sind als der umgebende Text, wie beispielsweise Ausnahmen und Voraussetzungen. Zudem wird der Benutzer auf zusätzliche Informationen hingewiesen, dem Benutzer wird die Durchführung eines Vorgangs in Erinnerung gerufen (wenn dieser beispielsweise nicht Teil des aktuell beschriebenen Vorgangs ist), oder dem Benutzer wird erklärt, wo sich ein Element auf dem Bildschirm befindet. Hinweise sind keiner Warnstufe zugeordnet.

# Hervorhebungskonventionen

Die folgenden Hervorhebungskonventionen werden verwendet:

Konvention	Beschreibung
<b>Fett</b>	Dieser Schriftstil wird für Namen, z. B. von Fenstern, Schaltflächen und Bezeichnungen verwendet, die auf dem Bildschirm angezeigt werden (Beispiel: das Fenster <b>Alarm-Browser</b> ). Wenn klar ist, dass beispielsweise eine Schaltfläche gemeint ist, wird nur der Name verwendet (Beispiel: Klicken Sie auf <b>OK</b> ).
Monospacing font in bold	Dieser Schriftstil wird für Wörter verwendet, die genau so eingegeben werden müssen, wie sie im Text erscheinen (Beispiel: Geben Sie im Feld <b>Adresse</b> <code>http://ucs01.ucs:9080/</code> ein).
Festbreitenschrift art	Diese Schriftart wird für Meldungen, Eingabeaufforderungen und anderen auf dem Bildschirm angezeigten Text verwendet (Beispiel: Ein neues Trapziel wurde hinzugefügt).
<b>&lt;Festbreitenschrift in kursivem Fettdruck&gt;</b>	Dieser Schriftstil wird für Wörter in spitzen Klammern als Platzhalter verwendet, die durch ein bestimmtes Mitglied der Gruppe, für die die Wörter stehen, ersetzt werden sollen (Beispiel: <b>&lt;Routeranzahl&gt;</b> ).   <b>HINWEIS:</b> Wenn Sequenzen einzugeben sind, werden die spitzen Klammern weggelassen, um Unklarheiten zu vermeiden, ob die spitzen Klammern mit dem Text einzugeben sind oder nicht.
GROßBUCHSTABEN	Dieser Schriftstil wird für Tastaturtasten verwendet (Beispiel: Drücken Sie Y und dann die EINGABETASTE).
<i>Kursiv</i>	Dieser Schriftstil wird für Quellenangaben und Zitate verwendet. Bei einem Zitat handelt es sich normalerweise um den Namen eines Dokuments oder um einen Satz aus einem anderen Dokument (Beispiel: <i>Überblick über das DIMETRA IP-Systemportfolio</i> ).
→	Ein → (nach rechts zeigender Pfeil) wird zur Angabe der Menü- oder Registerkartenstruktur in Anweisungen zum Auswählen eines bestimmten Menüpunkts (Beispiel: <b>Datei</b> → <b>Speichern</b> ) oder einer bestimmten Unterregisterkarte verwendet.

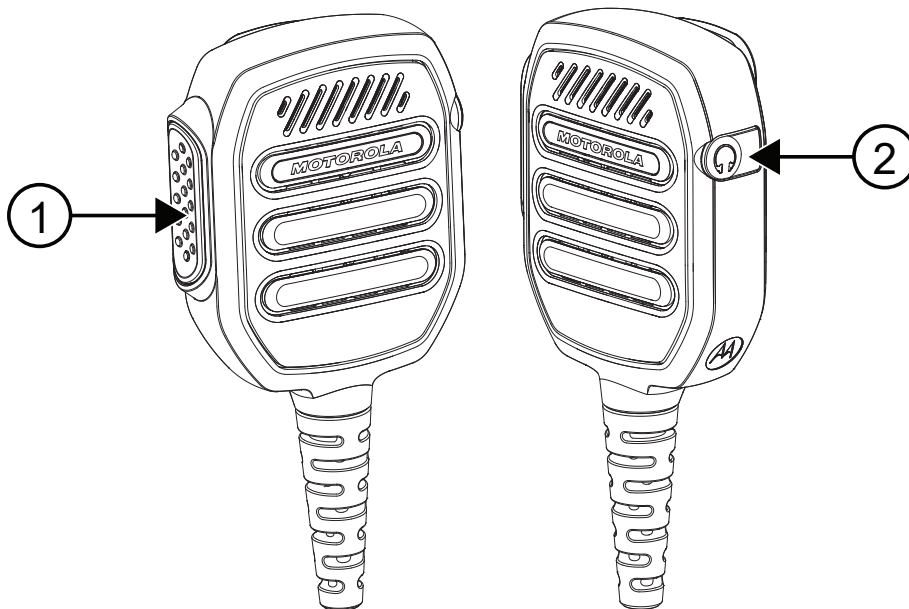
# Inhalt

<b>Sicherheit und Recht.....</b>	<b>2</b>
Hinweise zu geistigem Eigentum und gesetzlichen Bestimmungen.....	2
Handbuch zur HF-Energiestrahlung und Produktsicherheit für Handsprechfunkgeräte.....	3
Gehörschutz.....	3
Service und Garantie.....	3
Prüfzeichen.....	4
Kontaktadresse.....	4
<b>Kontakt.....</b>	<b>5</b>
<b>Verwendete Symbole.....</b>	<b>6</b>
<b>Hervorhebungskonventionen.....</b>	<b>7</b>
<b>Kapitel 1: Produktübersicht.....</b>	<b>9</b>
1.1 Kompatibles sekundäres Audiozubehör.....	9
1.2 Ersatzteile.....	10
1.2.1 Anbringen des Drehclips.....	11
1.2.2 Entfernen des Drehclips.....	12
1.2.3 Entfernen der Staubschutzabdeckung.....	12
1.2.4 Einsetzen der Staubschutzabdeckung.....	13
<b>Kapitel 2: Betriebsanweisungen.....</b>	<b>14</b>
2.1 Anbringen des RSM am Funkgerät.....	14
2.2 Entfernen des RSM vom Funkgerät.....	14
<b>Kapitel 3: Empfohlene Vorgehensweise.....</b>	<b>15</b>
3.1 Allgemeine Pflege.....	15
3.2 Senden und Empfangen.....	16
3.3 Empfohlene Tragepositionen für das RSM.....	17
3.4 Kabelmanagement.....	17

## Kapitel 1

# Produktübersicht

In diesem Bedienungshandbuch wird das PMMN4148 RM110 Lautsprechermikrofon mit 3,5-mm-Audiobuchse (IP55) beschrieben.



Nummer	Beschreibung
1	PTT-Sendetaste
2	3,5-mm-Audiobuchse (gewindeloses) nur für Empfang, abgedeckt mit Staubschutzabdeckung

### 1.1

## Kompatibles sekundäres Audiozubehör

Nein	Beschreibungen
PMLN8120	XL-Ohrhörer mit durchsichtigem Schlauch (nur Empfang), 3,5-mm-Buchse

1.2

## Ersatzteile

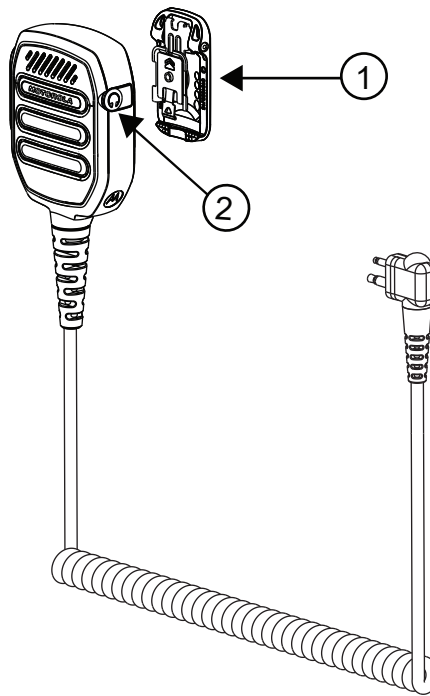


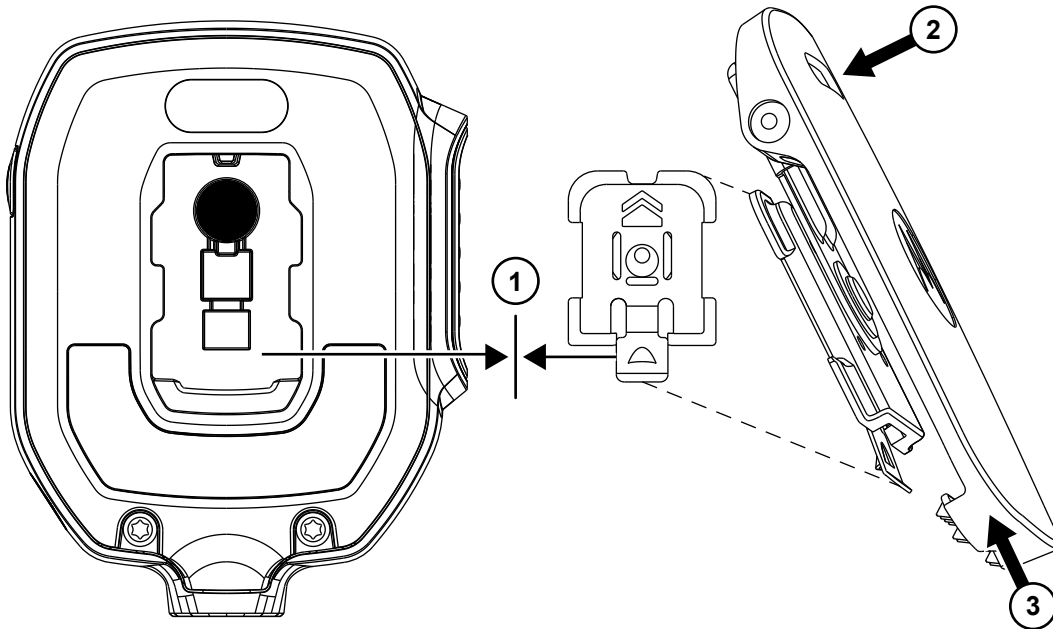
Tabelle 1: Austauschteile – Beschreibungen

Nein	Beschreibungen
1	Drehclip mit flachem Profil (PMLN8121)
2	Staubschutzabdeckung, 10 Stk/Packung (PMLN8253)



1.2.1

## Anbringen des Drehclips

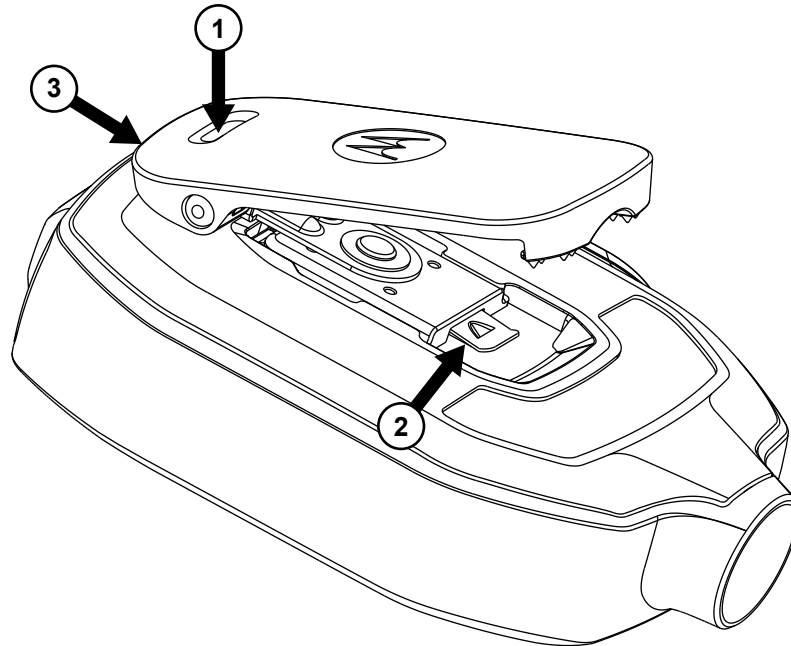


### Vorgehensweise:

- 1 Richten Sie den unteren Schnappverschluss nach unten aus.
- 2 Drücken Sie den oberen Teil des Clips nach unten.
- 3 Schieben Sie gleichzeitig den Clip nach oben.

### 1.2.2

## Entfernen des Drehclips

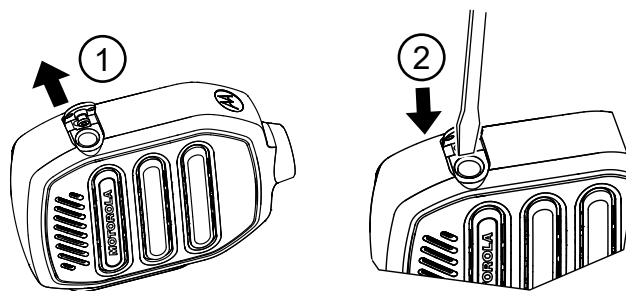


### Vorgehensweise:

- 1 Drücken Sie auf den oberen Teil des Clips, um den Clip in die höchste Position zu bringen.
- 2 Heben Sie die untere Verriegelung an.
- 3 Schieben und entfernen Sie den Clip.

### 1.2.3

## Entfernen der Staubschutzabdeckung

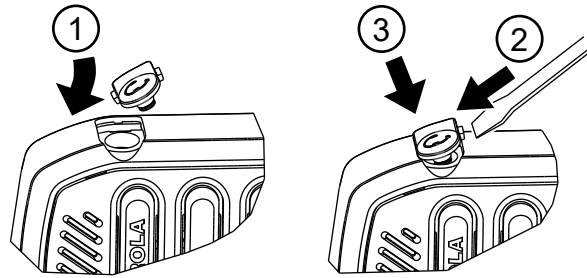


### Vorgehensweise:

- 1 Heben Sie die Staubschutzabdeckung, bis diese vollständig geöffnet ist.
- 2 Nutzen Sie ein Werkzeug mit flacher Spitze, um die Staubschutzabdeckung aus der Buchse zu entfernen.

#### 1.2.4

### Einsetzen der Staubschutzabdeckung



#### Vorgehensweise:

- 1 Schieben Sie die Staubschutzabdeckung in die Buchse
- 2 Drücken Sie die entgegengesetzte Seite mit einem kleinen Werkzeug hinein.
- 3 Drücken Sie gleichzeitig die Staubschutzabdeckung in das RSM.

## Kapitel 2

# Betriebsanweisungen

Dieser Abschnitt enthält Anweisungen zur Verwendung des Lautsprechermikrofons.

## 2.1

### Anbringen des RSM am Funkgerät

**Voraussetzungen:**

Schalten Sie das Funkgerät aus.



**HINWEIS:**

Für reibungslosen Betrieb sollten Sie das Funkgerät ausschalten, bevor Sie das RSM an das Funkgerät anschließen. Beim Anschluss des RSM an das Funkgerät wird der Lautsprecher des Geräts deaktiviert, aber nicht das Mikrofon und PTT.

**Vorgehensweise:**

Schließen Sie das Lautsprechermikrofon (RSM) an den seitlichen Anschluss des Geräts an.

## 2.2

### Entfernen des RSM vom Funkgerät

**Voraussetzungen:**

Schalten Sie das Funkgerät aus.

**Wann und wo zu verwenden:**

**Vorgehensweise:**

- 1 Trennen Sie den Anschluss des Lautsprechermikrofons (RSM) vom seitlichen Anschluss des Funkgeräts.
- 2 Lassen Sie die Staubschutzabdeckung in der Audiobuchse des RSM, wenn kein sekundäres Zubehör verwendet wird.

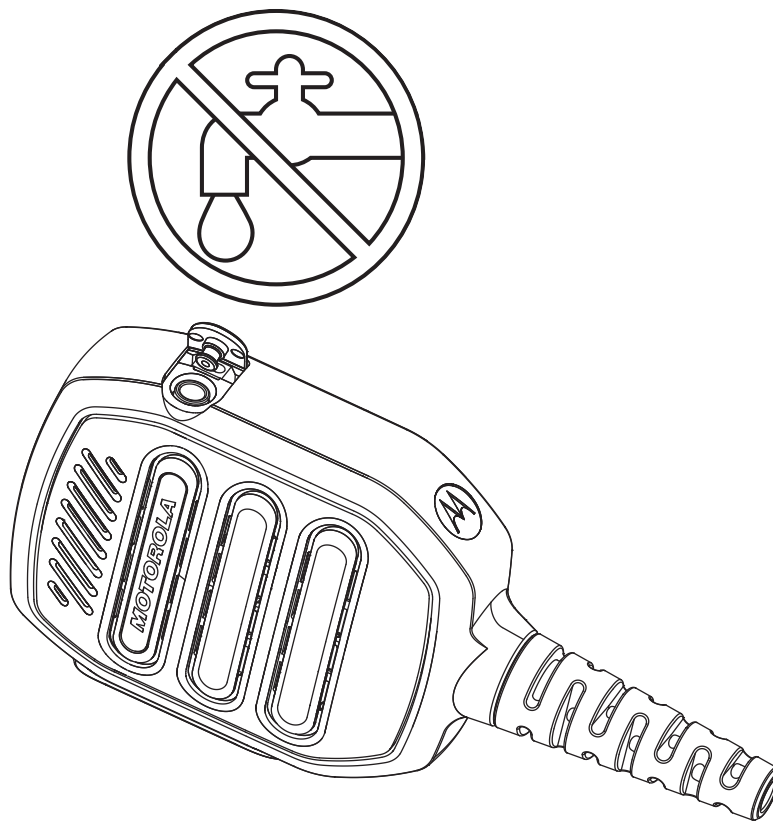
## Kapitel 3

# Empfohlene Vorgehensweise

Dieser Abschnitt enthält Informationen zu den empfohlenen Vorgehensweisen bei der Verwendung des Lautsprechermikrofons (RSM).

### 3.1

## Allgemeine Pflege



- Decken Sie die Audiobuchse mit der Staubschutzabdeckung ab, wenn kein Ohrhörer angeschlossen ist. Vermeiden Sie das Eindringen von Wasser in die Audiobuchse.
- Wenn Wasser in die Audiobuchse eintritt, entfernen Sie es durch Schütteln des RSM.

3.2

## Senden und Empfangen

Abbildung 1: Senden

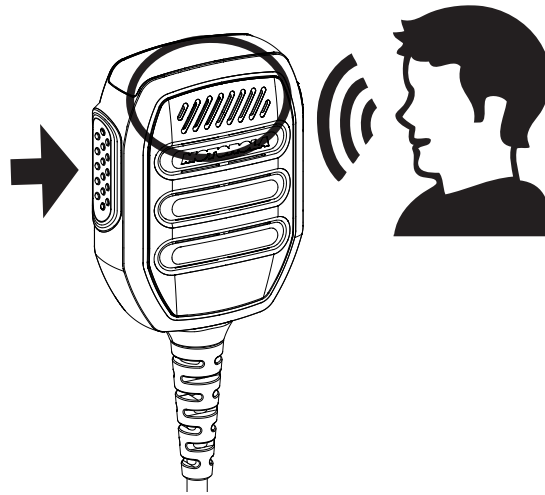


Abbildung 2: Empfangen



3.3

## Empfohlene Tragepositionen für das RSM

Abbildung 3: Empfohlene Trageposition



**HINWEIS:**

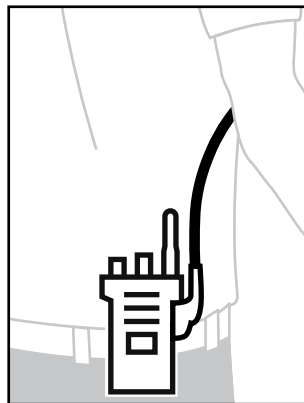
Tragen Sie für bessere Leistung Funkgerät und RSM auf derselben Seite.

3.4

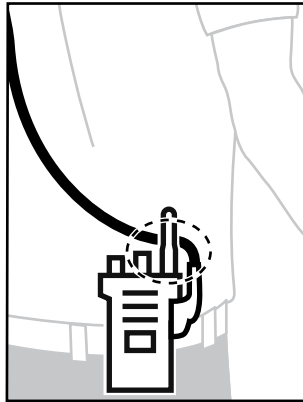
## Kabelmanagement

In diesem Abschnitt wird die empfohlene Kabelposition beschrieben.

Abbildung 4: Empfohlen



**Abbildung 5: Nicht empfohlen**



Um eine optimale Reichweite und eine optimale Benutzererfahrung zu gewährleisten, wird empfohlen, das Zubehörcabel nicht mit der Radioantenne zu überkreuzen.





# Guía de usuario del micrófono con altavoz remoto RM110 con conector de audio de 3,5 mm (IP55) PMMN4148

**MARZO 2023**

© 2023 Motorola Solutions, Inc. All rights reserved



MN009681A01-AA

# Información legal y de seguridad

En esta sección se proporciona información legal y de seguridad sobre este producto.

## Propiedad intelectual y avisos normativos

### Copyright

Los productos de Motorola Solutions descritos en el presente documento pueden incluir programas informáticos de Motorola Solutions protegidos por derechos de copyright. Las leyes de Estados Unidos y otros países garantizan determinados derechos exclusivos a Motorola Solutions sobre los programas informáticos protegidos por copyright. Por consiguiente, ningún programa informático de Motorola Solutions protegido por copyright incluido en los productos de Motorola Solutions descritos en este documento podrá copiarse ni reproducirse de ninguna forma sin el consentimiento expreso por escrito de Motorola Solutions.

Este documento no se podrá reproducir, transmitir, almacenar en un sistema de recuperación o traducir a ningún idioma o lenguaje informático, independientemente del formato o el medio, en su totalidad o en parte, sin el consentimiento previo por escrito de Motorola Solutions, Inc.

### Marcas comerciales

MOTOROLA, MOTO, MOTOROLA SOLUTIONS y el logotipo de la M estilizada son marcas comerciales o marcas comerciales registradas de Motorola Trademark Holdings, LLC y se utilizan bajo licencia. Todas las demás marcas comerciales son propiedad de sus respectivos propietarios.

### Derechos de licencia

La adquisición de los productos de Motorola Solutions no garantiza, ya sea de forma implícita o explícita, por impedimento legal o de la forma que fuese, ningún tipo de licencia con respecto a los derechos de autor, las patentes o las solicitudes de patentes de Motorola Solutions, excepto en los casos de uso de licencias normales no excluyentes sin regalías derivados de la aplicación de la ley en la venta de un producto.

### Contenido de código abierto

Este producto puede contener software de código abierto utilizado bajo licencia. Consulte los medios de instalación del producto para ver el contenido completo sobre avisos legales de código abierto y atribución.

### Directiva sobre residuos de aparatos eléctricos y electrónicos (RAEE) de la Unión Europea y Reino Unido



La directiva de la Unión Europea y la regulación de Reino Unido sobre residuos de aparatos eléctricos y electrónicos (RAEE) requieren que los productos que se vendan en los países de la UE y Reino Unido tengan tachado el símbolo de la papelera en la etiqueta del producto y, en algunos casos, en el embalaje. De acuerdo con lo establecido en la directiva RAEE, el símbolo de la papelera tachado significa que los clientes y los usuarios finales residentes en la UE y Reino Unido no deben desechar equipos ni accesorios eléctricos o electrónicos como residuos domésticos.

Los clientes o los usuarios finales de los países de la UE y Reino Unido deben ponerse en contacto con el representante del proveedor o servicio local para obtener información sobre el sistema de recogida de desechos de su país.

## Descargo de responsabilidad

Tenga en cuenta que determinadas características, funciones y prestaciones descritas en este documento podrían no ser aplicables a un sistema específico o incluirse en la licencia de uso de este; también pueden depender de las características particulares de la unidad de abonado móvil específica o de la configuración de ciertos parámetros. Póngase en contacto con su distribuidor o representante de Motorola Solutions para obtener más información.

© 2023 Motorola Solutions, Inc. Todos los derechos reservados

## Guía de exposición a radiofrecuencia y seguridad del producto para radios bidireccionales portátiles

### PRECAUCIÓN:

Antes de utilizar este accesorio, lea esta guía que contiene instrucciones de funcionamiento importantes para un uso seguro e información referente a la energía de radiofrecuencia (RF) y al control del cumplimiento de los estándares y las normativas aplicables.

El micrófono con altavoz remoto (RSM) conectado a la radio está restringido a un uso exclusivamente laboral para satisfacer los requisitos de exposición a la energía de radiofrecuencia establecidos por la FCC/ICNIRP. Antes de utilizar este producto, lea la información referente a la energía de radiofrecuencia (RF) y las instrucciones del folleto sobre seguridad del producto y exposición a radiofrecuencia incluidas con la radio para asegurarse de que se cumplen los límites de exposición a la energía de radiofrecuencia.

## Seguridad acústica

La exposición a sonidos altos de cualquier tipo durante periodos prolongados puede afectar a su capacidad auditiva de forma temporal o permanente. Cuanto mayor sea el volumen de la radio, antes se verá afectada la capacidad auditiva. En ocasiones, no es posible detectar enseguida los daños provocados por sonidos altos, lo que puede producir un efecto acumulativo. Para proteger su capacidad auditiva:

- Utilice el volumen más bajo posible en función de su trabajo.
- Suba el volumen solo si se encuentra en un entorno ruidoso.
- Baje el volumen antes de colocarse los auriculares o el auricular.
- Limite la cantidad de tiempo de uso de los auriculares a un volumen elevado.
- Si va a usar la radio sin auriculares o auricular, no se coloque el altavoz directamente en la oreja.
- Si siente molestias auditivas, zumbidos o voces alejadas, debe dejar de escuchar la radio a través de los auriculares o el auricular y acudir al médico para que revise su audición.

## Servicio técnico y garantía

Motorola Solutions ofrece garantía para su RSM. Póngase en contacto con su distribuidor de Motorola Solutions o diríjase a su punto de venta para obtener información detallada.



### NOTA:

La garantía será nula si el cliente sustituye cualquier pieza por una que no esté entre las piezas de repuesto enumeradas.

## Marcas de certificación



## Dirección de contacto

### **Contacto de la Unión Europea**

Motorola Solutions,  
Czerwone Maki 82,  
30-392 Cracovia, Polonia

### **Contacto de Reino Unido**

Motorola Solutions UK Ltd.,  
Nova South, 160 Victoria Street,  
Londres, SW1E 5LB,  
Reino Unido

# Contacto

El servicio de operaciones de soporte gestionadas centralizadas (CMSO) es el principal contacto para la asistencia técnica que incluye el acuerdo de servicio de su empresa con Motorola Solutions.

Los clientes con acuerdo de servicio deben llamar al CMSO en todas las situaciones indicadas en la sección de responsabilidades del cliente del acuerdo como, por ejemplo:

- Para confirmar los análisis y los resultados de la resolución de problemas antes de realizar una acción

Su organización habrá recibido los números de teléfono de asistencia y otra información de contacto correspondiente a su región geográfica y su acuerdo de servicio. Utilice esta información de contacto para obtener la respuesta más eficiente. Si fuera necesario, también puede encontrar información general de contacto con el centro de asistencia en el sitio web de Motorola Solutions. Para acceder a este, siga estos pasos:

- 1 Introduzca [motorolasolutions.com](https://motorolasolutions.com) en su navegador.
- 2 Asegúrese de que el país o la región de su empresa se muestran en la página. Para cambiarla, solo tiene que seleccionar el nombre de la región.
- 3 Seleccione "Support" (Asistencia) en la página [motorolasolutions.com](https://motorolasolutions.com).

## Comentarios

Envíe las preguntas y comentarios relacionados con la documentación de usuario a [documentation@motorolasolutions.com](mailto:documentation@motorolasolutions.com).

Si desea informar de un error en la documentación, proporcione la siguiente información:

- El título del documento y el número de pieza
- El número de página o el título de la sección con el error
- Una descripción del error

Motorola Solutions ofrece varios cursos diseñados para ayudarle a aprender más sobre el sistema. Si desea obtener más información, vaya a <https://learning.motorolasolutions.com> para consultar la oferta de cursos y trayectorias tecnológicas actuales.

# Convenciones de iconos

La documentación está diseñada para proporcionar al lector instrucciones visuales. En esta documentación se utilizan los siguientes iconos gráficos.



**PELIGRO:**

La palabra PELIGRO y el icono de seguridad asociado indican información que, en caso de ser ignorada, puede producir lesiones graves, incluso la muerte.



**ADVERTENCIA:**

La palabra ADVERTENCIA y el icono de seguridad asociado indican información que, en caso de ser ignorada, puede dar como resultado lesiones graves, incluso la muerte, o un daño grave del producto.



**PRECAUCIÓN:**

La palabra PRECAUCIÓN y el icono de seguridad asociado indican información que, en caso de ser ignorada, puede dar como resultado lesiones leves o moderadas, o bien un daño serio del producto.

**PRECAUCIÓN:**

La palabra PRECAUCIÓN puede usarse sin el icono de seguridad para indicar riesgo de daños o lesiones graves no relacionados directamente con el producto.



**IMPORTANTE:**

Los comentarios con la palabra IMPORTANTE contienen información crucial para el tema a tratar, pero no implican ningún aviso de PRECAUCIÓN o ADVERTENCIA. No hay niveles de advertencia asociados a los comentarios con la palabra IMPORTANTE.




**NOTA:**

Los comentarios marcados con AVISO contienen información más importante que el texto que los rodea, como excepciones o condiciones previas. Además, remiten al lector a otro lugar para obtener información adicional, recuerdan al lector cómo realizar una acción si, por ejemplo, no es parte del procedimiento actual, o le informan de la ubicación de los elementos en la pantalla. No hay niveles de advertencia asociados a los avisos.

# Convenciones de estilo

Se usan las convenciones siguientes:

Convención	Descripción
<b>Negrita</b>	Este tipo de letra se utiliza, por ejemplo, para nombres de ventanas, botones y etiquetas cuando estos nombres aparecen en la pantalla (ejemplo: la ventana <b>Navegador de alarmas</b> ). Cuando está claro que se está haciendo referencia, por ejemplo, a un botón, el nombre se utiliza solo (ejemplo: Haga clic en <b>Aceptar</b> ).
Monospacing font in bold	Este tipo de letra se utiliza para que las palabras se introduzcan exactamente tal y como aparecen en el texto (ejemplo: En el campo <b>Dirección</b> , escriba <code>http://ucs01.ucs:9080/</code> ).
Fuente monoespaciada	Este tipo de letra se emplea para mensajes, indicaciones y otro tipo de textos que se muestran en la pantalla del ordenador (ejemplo: Se ha agregado un nuevo destino de captura).
<b>&lt;Fuente monoespaciada en negrita cursiva&gt;</b>	Este tipo de letra se utiliza con corchetes a modo de marcadores para un miembro específico del grupo al que representan dichas palabras (ejemplo: <b>&lt;número de router&gt;</b> ).   <b>NOTA:</b> Al introducir secuencias, se omiten los corchetes para evitar la confusión de si se deben incluir en el texto que se va a introducir.
LETRAS MAYÚSCULAS	Este tipo de letra se utiliza para las teclas del teclado (ejemplo: Pulse Y y, a continuación, pulse INTRO).
<i>Cursiva</i>	Este tipo de letra se utiliza para las citas. Por cita se entiende el nombre de un documento o una frase de otro documento (ejemplo: <i>Descripción general del sistema Dimetra IP</i> ).
→	El símbolo → (flecha apuntando hacia la derecha) se utiliza para indicar la estructura del menú o pestaña en instrucciones sobre cómo seleccionar un elemento de menú determinado (ejemplo: <b>Archivo</b> → <b>Guardar</b> ) o una subpestaña específica.

# Contenido

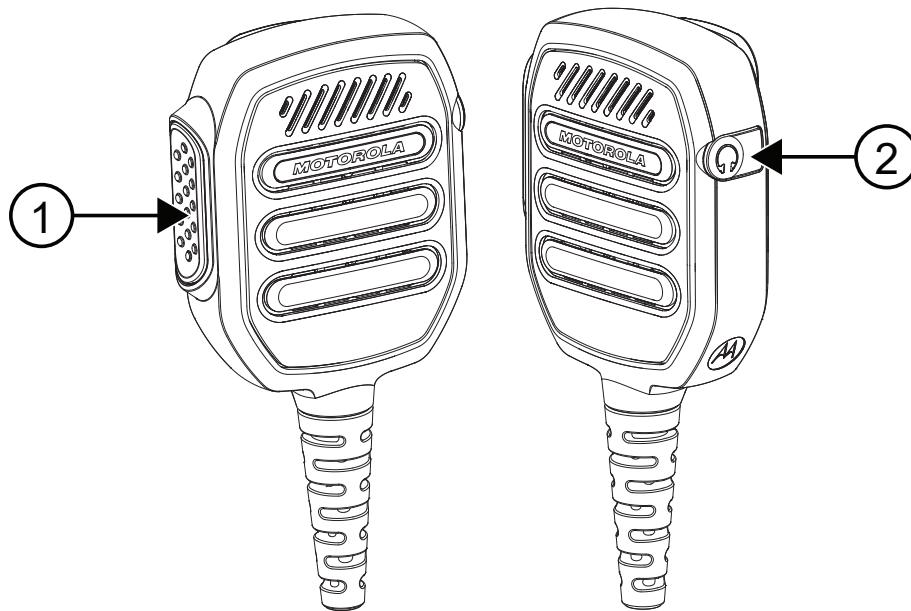
<b>Información legal y de seguridad.....</b>	<b>2</b>
Propiedad intelectual y avisos normativos.....	2
Guía de exposición a radiofrecuencia y seguridad del producto para radios bidireccionales portátiles.....	3
Seguridad acústica.....	3
Servicio técnico y garantía.....	3
Marcas de certificación.....	3
Dirección de contacto.....	4
<b>Contacto.....</b>	<b>5</b>
<b>Convenciones de iconos.....</b>	<b>6</b>
<b>Convenciones de estilo.....</b>	<b>7</b>
<b>Capítulo 1: Descripción general del producto.....</b>	<b>9</b>
1.1 Accesorios de audio secundarios compatibles.....	9
1.2 Piezas de repuesto.....	10
1.2.1 Conexión de la pinza giratoria.....	11
1.2.2 Desconexión de la pinza giratoria.....	12
1.2.3 Extracción de la cubierta para el polvo.....	12
1.2.4 Inserción de la cubierta para el polvo.....	13
<b>Capítulo 2: Instrucciones de uso.....</b>	<b>14</b>
2.1 Conexión del RSM a la radio.....	14
2.2 Desconexión del RSM de la radio.....	14
<b>Capítulo 3: Prácticas recomendadas.....</b>	<b>15</b>
3.1 Cuidados comunes.....	15
3.2 Transmisión y recepción.....	16
3.3 Posiciones de uso del RSM recomendadas.....	17
3.4 Gestión de cableado.....	17



## Capítulo 1

# Descripción general del producto

Este manual de usuario describe el micrófono con altavoz remoto RM110, con conector de audio de 3,5 mm (IP55), PMMN4148.



Número	Descripción
1	Botón PTT (pulsar para hablar)
2	Conector de audio de 3,5 mm de solo recepción (sin rosca) cubierto por una tapa para el polvo

### 1.1

## Accesorios de audio secundarios compatibles

N.º	Descripciones
PMLN8120	Auricular de tubo transparente xL de solo recepción con conector de 3,5 mm

1.2

## Piezas de repuesto

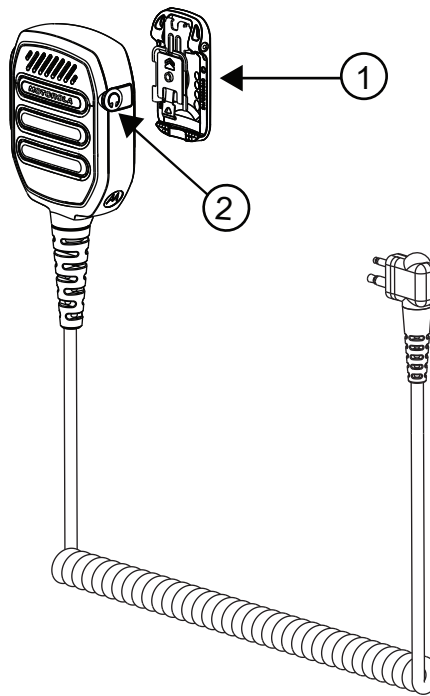
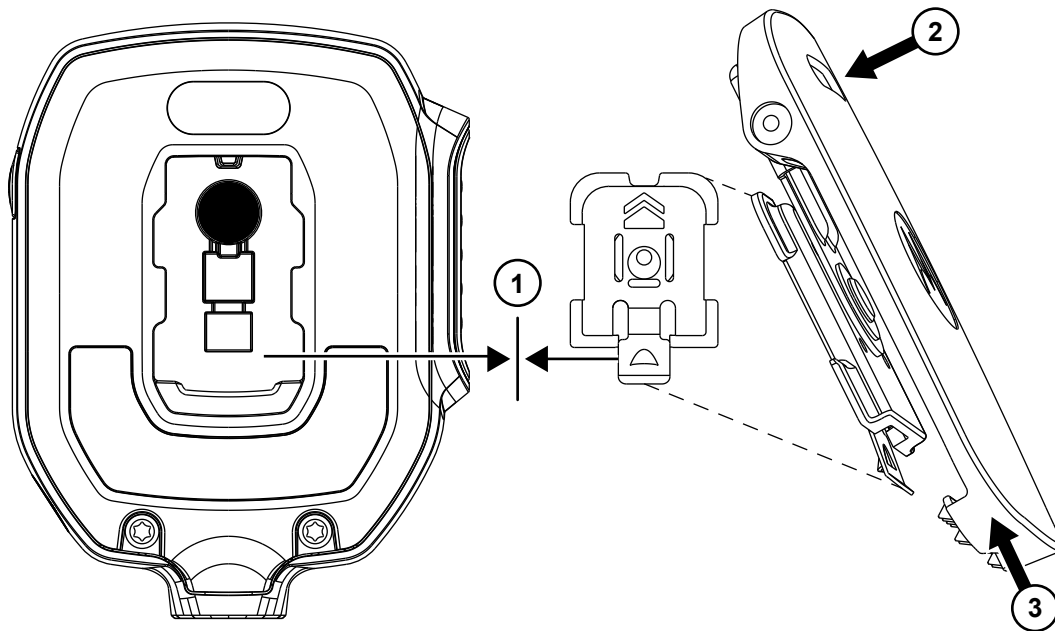


Tabla 1: Anotaciones de las piezas de repuesto

N.º	Descripciones
1	Pinza giratoria de perfil bajo (PMLN8121)
2	Paquete de 10 piezas de cubiertas para el polvo (PMLN8253)

1.2.1

## Conexión de la pinza giratoria

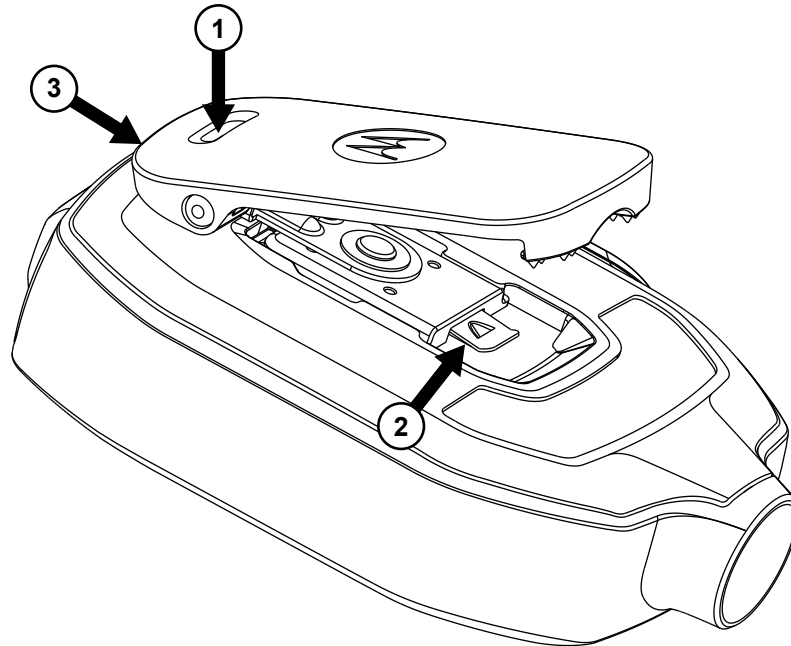


**Procedimiento:**

- 1 Alinee el cierre de bloqueo inferior para que quede orientado hacia abajo.
- 2 Empuje hacia abajo la parte superior de la pinza.
- 3 A la vez, deslice la pinza hacia arriba.

### 1.2.2

## Desconexión de la pinza giratoria

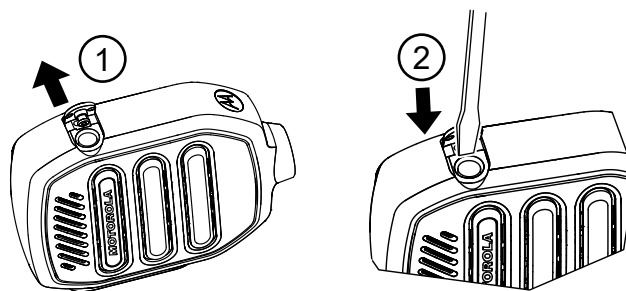


#### Procedimiento:

- 1 Empuje la parte superior de la pinza para elevarla a la posición más alta.
- 2 Levante el cierre de bloqueo inferior.
- 3 Deslice la pinza para extraerla.

### 1.2.3

## Extracción de la cubierta para el polvo

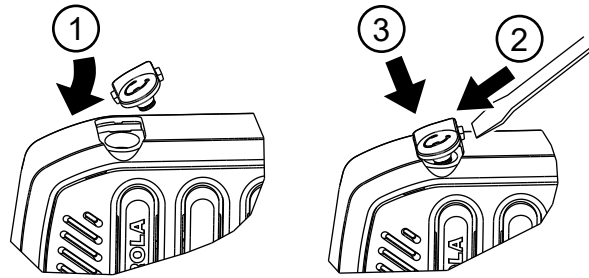


#### Procedimiento:

- 1 Levante la cubierta para el polvo hasta que esté completamente abierta.
- 2 Inserte la herramienta de punta plana pequeña en el hueco y haga palanca para extraer la cubierta para el polvo.

### 1.2.4

## Inserción de la cubierta para el polvo



### Procedimiento:

- 1 Deslice la pestaña lateral de la cubierta para el polvo en la ranura del hueco.
- 2 Empuje el lado opuesto con una herramienta pequeña.
- 3 Empuje a la vez la cubierta para el polvo dentro del RSM.

## Capítulo 2

# Instrucciones de uso

En esta sección se proporcionan directrices sobre cómo utilizar el micrófono con altavoz remoto.

### 2.1

## Conexión del RSM a la radio

### Requisitos previos:

Apague la radio.



#### NOTA:

Para garantizar su correcto funcionamiento, apague la radio antes de conectar el RSM a la radio. Al conectar el RSM a la radio, se desactiva el altavoz de la radio, pero el micrófono y el PTT siguen activados.

### Procedimiento:

Acople el conector del micrófono con altavoz remoto (RSM) al conector lateral de la radio.

### 2.2

## Desconexión del RSM de la radio

### Requisitos previos:

Apague la radio.

### Cuándo y dónde se puede utilizar:

### Procedimiento:

- 1 Desconecte el conector del micrófono con altavoz remoto (RSM) del conector lateral de la radio.
- 2 Deje la cubierta para el polvo en el conector de audio del RSM cuando no esté utilizando ningún accesorio secundario.

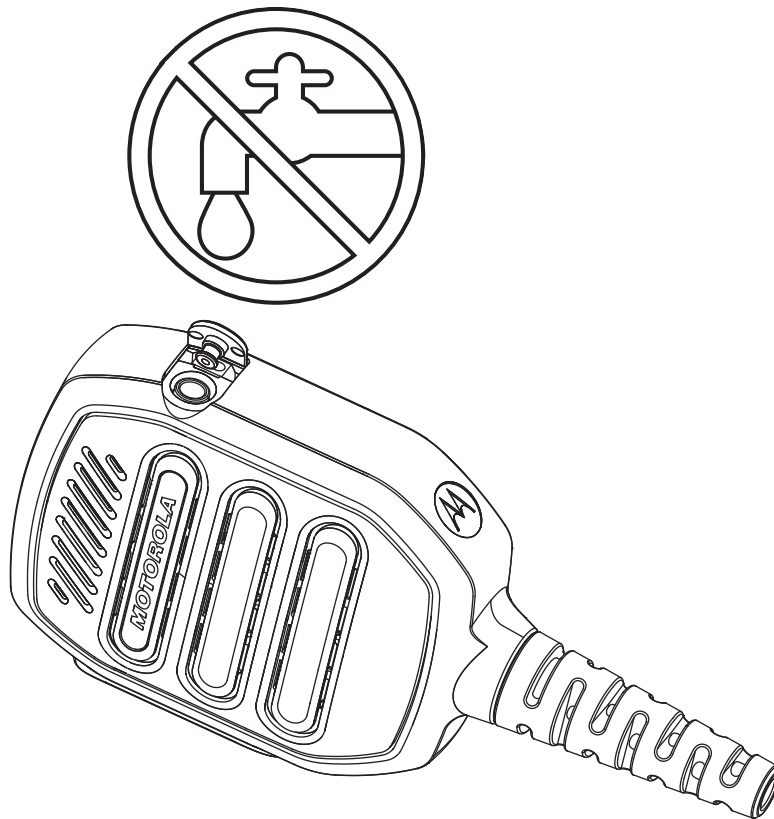
## Capítulo 3

# Prácticas recomendadas

En esta sección se proporciona información sobre las prácticas recomendadas para el uso del micrófono con altavoz remoto (RSM).

### 3.1

## Cuidados comunes



- Cubra el conector de audio con la cubierta para el polvo cuando no esté conectado al auricular. No deje que entre agua en el conector de audio.
- Si entra agua en el conector de audio, retírela agitando el RSM.

3.2

## Transmisión y recepción

Figura 1: Transmisión

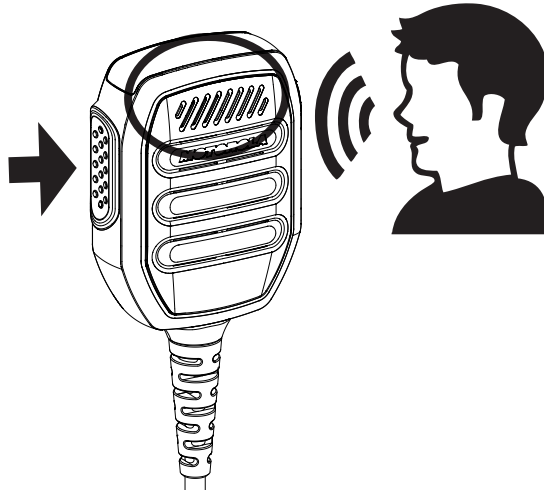


Figura 2: Recepción





### 3.3

## Posiciones de uso del RSM recomendadas

Figura 3: Posición de uso recomendada



**NOTA:**

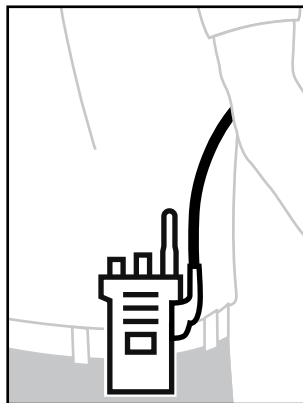
Para obtener un mejor rendimiento, lleve el RSM y el dispositivo en el mismo lado.

### 3.4

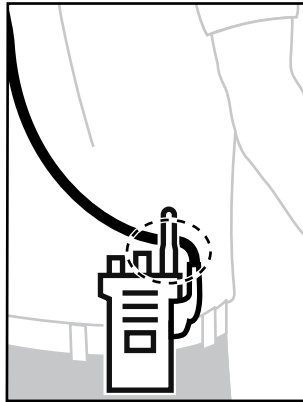
## Gestión de cableado

En esta sección se describe la posición recomendada del cable.

Figura 4: Recomendada



**Figura 5: No recomendada**



Para garantizar un alcance y una experiencia de usuario óptimos, se recomienda evitar cruzar el cable del accesorio con la antena de la radio.



# **Guide de l'utilisateur du micro haut-parleur déporté avec prise audio 3,5 mm RM110 (IP55) PMMN4148**

**MARS 2023**

© 2023 Motorola Solutions, Inc. All rights reserved



MN009681A01-AA

# Informations légales et de sécurité

Cette section contient des informations légales et de sécurité relatives à ce produit.

## Propriété intellectuelle et avis réglementaires

### Copyright

Les produits Motorola Solutions décrits dans ce document peuvent inclure des programmes informatiques Motorola Solutions protégés par un copyright. Les lois des États-Unis et d'autres pays garantissent certains droits exclusifs à Motorola Solutions pour ces programmes informatiques protégés par un copyright. En conséquence, il est interdit de copier ou de reproduire, de quelque manière que ce soit, les programmes informatiques Motorola Solutions protégés par un copyright contenus dans les produits Motorola Solutions décrits dans ce document sans l'autorisation expresse et écrite de Motorola Solutions.

Aucune partie du présent document ne peut être reproduite, transmise, stockée dans un système de récupération ou traduite dans toute autre langue ou tout autre langage informatique, sous quelque forme ou par quelque moyen que ce soit, sans l'autorisation écrite préalable de Motorola Solutions, Inc.

### Marques

MOTOROLA, MOTO, MOTOROLA SOLUTIONS et le logo stylisé M sont des marques commerciales ou des marques déposées de Motorola Trademark Holdings, LLC et font l'objet d'une licence. Toutes les autres marques commerciales appartiennent à leurs propriétaires respectifs.

### Droits de licence

L'acquisition de produits Motorola Solutions ne saurait en aucun cas conférer, directement, indirectement ou de toute autre manière, aucune licence, aucun droit d'auteur, brevet ou demande de brevet appartenant à Motorola Solutions, autres que la licence habituelle d'utilisation non exclusive et libre de droit qui découle légalement de la vente du produit.

### Contenu Open Source

Ce produit peut contenir un logiciel Open Source utilisé sous licence. Reportez-vous au support d'installation du produit pour consulter les mentions légales et les informations d'attribution Open Source complètes.

### Directive relative aux déchets d'équipements électriques et électroniques (DEEE) pour l'Union européenne et pour le Royaume-Uni



La directive DEEE de l'Union européenne et celle du Royaume-Uni stipulent que les produits vendus au sein de l'UE et du Royaume-Uni doivent présenter le symbole d'une poubelle barrée (directement sur le produit ou sur l'emballage dans certains cas). Comme indiqué par la directive DEEE, l'étiquette de la poubelle barrée signifie que les clients et les utilisateurs finaux au sein de l'UE et du Royaume-Uni ne doivent pas mettre au rebut les équipements et les accessoires électriques et électroniques avec les déchets ménagers.

Les clients ou les utilisateurs finaux au sein de l'UE et du Royaume-Uni doivent prendre contact avec le représentant local du fournisseur de leur équipement ou le centre de service pour obtenir des informations sur le système de collecte des déchets dans leur pays.

## Limitation de responsabilité

Notez que certaines fonctionnalités, fonctions et caractéristiques décrites dans ce document peuvent ne pas s'appliquer ou faire l'objet d'une licence pour une utilisation sur un système spécifique, ou peuvent dépendre des caractéristiques d'un terminal radio mobile spécifique ou de la configuration de certains paramètres. Contactez votre représentant Motorola Solutions pour en savoir plus.

© 2023 Motorola Solutions, Inc. Tous droits réservés

## Guide relatif à la sécurité du produit et à l'exposition aux fréquences radio pour les radios professionnelles portatives

### ATTENTION :

Avant d'utiliser cet accessoire, lisez attentivement ce guide. Il contient des instructions de fonctionnement essentielles relatives à la sécurité et à l'exposition aux fréquences radio, ainsi que des informations sur le contrôle de conformité aux normes et réglementations applicables.

Lorsqu'il est connecté à la radio, le micro haut-parleur déporté est réservé à un usage professionnel pour des raisons de conformité avec la réglementation FCC/ICNIRP sur l'exposition aux fréquences radio. Avant d'utiliser ce produit, lisez les informations sur les fréquences radio et les instructions d'utilisation du livret relatif à la sécurité du produit et à l'exposition aux fréquences radio fourni avec votre radio pour connaître et appliquer les limites d'exposition aux fréquences radio.

## Sécurité acoustique

L'exposition pendant une période prolongée à un fort niveau sonore, quelle qu'en soit la source, peut provoquer des troubles auditifs temporaires ou permanents. Plus le volume de la radio est élevé, plus le trouble auditif peut se produire rapidement. Les troubles auditifs provoqués par un niveau sonore élevé ne se remarquent parfois pas immédiatement et peuvent s'additionner. Pour protéger votre audition :

- Utilisez le volume le plus bas possible pour effectuer votre travail.
- Augmentez le volume uniquement si vous êtes dans des environnements bruyants.
- Baissez le volume avant d'utiliser un casque ou des oreillettes.
- Limitez votre temps d'utilisation des casques ou des oreillettes à un volume élevé.
- Lorsque vous utilisez la radio sans casque ou oreillette, ne placez pas le haut-parleur de la radio directement contre votre oreille.
- Si vous ressentez une gêne auditive, entendez des sifflements ou si les voix sont étouffées, arrêtez d'écouter votre radio avec le casque ou l'oreillette et faites vérifier votre audition par un médecin.

## Dépannage et garantie

Une garantie pour le micro haut-parleur déporté vous est offerte par Motorola Solutions. Contactez votre revendeur Motorola Solutions ou votre point de vente pour de plus amples informations.



### REMARQUE :

Le remplacement de pièces autres que les pièces répertoriées par le client entraîne l'annulation de la garantie.

## Marques de certification



## Adresse de contact

### **Contact pour l'Union européenne**

Motorola Solutions,  
Czerwone Maki 82,  
30-392 Cracovie, Pologne

### **Contact pour le Royaume-Uni**

Motorola Solutions UK Ltd.,  
Nova South, 160 Victoria Street,  
Londres, SW1E 5LB,  
Royaume-Uni

# Nous contacter

Le centre d'assistance centralisé (Centralized Managed Support Operations, CMSO) est le principal service d'assistance technique inclus dans le contrat de service que votre entreprise a signé avec Motorola Solutions.

Les clients disposant d'un contrat de service doivent appeler le centre CMSO dans toutes les situations répertoriées dans la section Responsabilités du client de leur contrat, notamment :

- Pour confirmer les analyses et le résultat du dépannage avant d'intervenir

Votre entreprise a reçu des numéros de téléphone d'assistance et d'autres informations de contact correspondant à votre zone géographique et à votre contrat de service. Ces informations de contact vous permettent d'obtenir la réponse la plus efficace possible. Cependant, vous pouvez également rechercher le numéro d'assistance générale sur le site Web de Motorola Solutions en cas de besoin. Pour ce faire :

- 1 Saisissez [motorolasolutions.com](https://motorolasolutions.com) dans votre navigateur.
- 2 Vérifiez que le pays ou la région de votre entreprise s'affiche sur la page. Vous pouvez changer la région en cliquant/appuyant sur son nom.
- 3 Sélectionnez Assistance sur la page [motorolasolutions.com](https://motorolasolutions.com).

## Commentaires

Pour tout commentaire ou question concernant la documentation utilisateur, contactez-nous à l'adresse [documentation@motorolasolutions.com](mailto:documentation@motorolasolutions.com).

Veillez indiquer les informations suivantes lorsque vous signalez une erreur de documentation :

- Référence et titre du document
- Numéro de page ou titre de la section contenant l'erreur
- Description de l'erreur

Motorola Solutions propose diverses formations conçues pour approfondir la connaissance du système. Pour en savoir plus, rendez-vous sur <https://learning.motorolasolutions.com> pour découvrir les formations et les parcours technologiques actuellement proposés.

# Conventions concernant les icônes

L'ensemble de documentation a été conçu de façon à offrir divers repères visuels au lecteur. Les icônes graphiques suivantes sont utilisées dans cet ensemble de documentation.



**DANGER :**

le terme DANGER et l'icône de sécurité associée impliquent que le non-respect des consignes peut provoquer des blessures graves, potentiellement mortelles.



**AVERTISSEMENT :**

le terme AVERTISSEMENT et l'icône de sécurité associée impliquent des informations qui, si ignorées, peuvent provoquer de graves blessures, voire la mort, ou encore une sérieuse détérioration du produit.



**ATTENTION :**

le terme ATTENTION et l'icône de sécurité associée impliquent des informations qui, si ignorées, peuvent provoquer des blessures légères ou modérées, ou encore une sérieuse détérioration du produit.

**ATTENTION :**

le terme ATTENTION peut être utilisé sans l'icône de sécurité pour avertir d'éventuels blessures ou dommages non liés au produit.



**IMPORTANT :**

le terme IMPORTANT implique des informations essentielles au sujet en cours, mais qui ne relèvent ni du niveau ATTENTION ni du niveau AVERTISSEMENT. Aucun niveau d'avertissement n'est associé aux annotations IMPORTANT.




**REMARQUE :**

le terme REMARQUE implique des informations plus importantes que le texte qui les entourent, telles que des exceptions ou des conditions préalables. Elles indiquent également au lecteur où se reporter pour obtenir des informations complémentaires, lui rappellent comment effectuer une action (si celle-ci ne fait pas partie de la procédure en cours, par exemple) ou lui indiquent où se trouve un élément spécifique sur l'écran. Aucun niveau d'avertissement n'est associé aux annotations REMARQUE.



# Conventions de style

Ce document se présente selon les conventions suivantes :

Convention	Description
<b>Gras</b>	Cette typographie est utilisée pour les noms de fenêtres, de boutons, d'étiquettes, etc. lorsqu'ils apparaissent à l'écran (La fenêtre <b>Alarms Browser</b> ). S'il est clair qu'il est question, par exemple, d'un bouton, le nom de ce bouton est utilisé seul (Cliquez sur <b>OK</b> ).
Monospacing font in bold	Cette typographie est utilisée pour les mots devant être saisis exactement tels qu'ils apparaissent dans le texte Dans le champ <b>Address</b> , saisissez <code>http://ucs01.ucs:9080/</code> .
Police à taille fixe	Cette typographie est utilisée pour les messages, invites de commande et autres textes qui s'affichent sur l'écran de l'ordinateur (Une destination d'interruption a été ajoutée).
<i>&lt;Police à taille fixe en gras et italique&gt;</i>	Cette typographie est utilisée avec des crochets pour les espaces réservés aux termes spécifiques d'un ensemble ( <i>&lt;numéro de routeur&gt;</i> ).   <b>REMARQUE :</b> dans les séries à saisir, les crochets sont omis afin d'éviter toute confusion quant à leur inclusion dans le texte à saisir.
LETTRES MAJUSCULES	Cette typographie est utilisée pour les touches de clavier (Appuyez sur Y, puis sur ENTER).
<i>Italique</i>	Cette typographie est utilisée pour les citations. Il s'agit généralement de noms de document ou de phrases provenant d'un autre document ( <i>Dimetra IP System Overview</i> ).
→	Une flèche → (pointant vers la droite) est utilisée pour indiquer la structure d'un menu ou d'un onglet dans les instructions de sélection d'un élément de menu ( <b>File</b> → <b>Save</b> ) ou d'un sous-onglet spécifique.

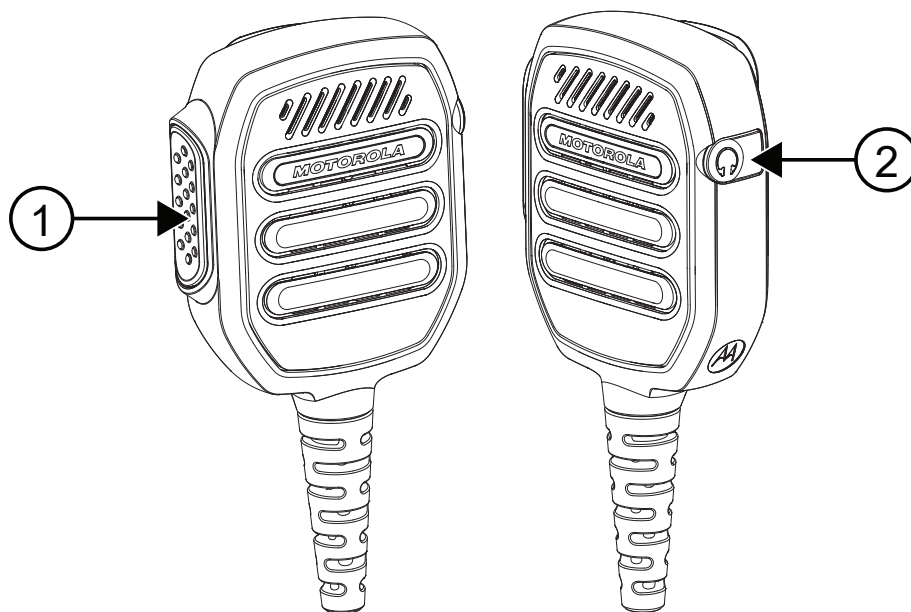
# Table des matières

<b>Informations légales et de sécurité.....</b>	<b>2</b>
Propriété intellectuelle et avis réglementaires.....	2
Guide relatif à la sécurité du produit et à l'exposition aux fréquences radio pour les radios professionnelles portatives.....	3
Sécurité acoustique.....	3
Dépannage et garantie.....	3
Marques de certification.....	3
Adresse de contact.....	4
<b>Nous contacter.....</b>	<b>5</b>
<b>Conventions concernant les icônes.....</b>	<b>6</b>
<b>Conventions de style.....</b>	<b>7</b>
<b>Chapitre 1 : Présentation du produit.....</b>	<b>9</b>
1.1 Accessoires audio secondaires compatibles.....	9
1.2 Pièces de rechange.....	10
1.2.1 Fixation du clip pivotant.....	11
1.2.2 Retrait du clip pivotant.....	12
1.2.3 Retrait du cache anti-poussière.....	12
1.2.4 Insertion du cache anti-poussière.....	13
<b>Chapitre 2 : Instructions d'utilisation.....</b>	<b>14</b>
2.1 Installation du micro haut-parleur déporté sur la radio.....	14
2.2 Retrait du micro haut-parleur déporté de la radio.....	14
<b>Chapitre 3 : Pratiques recommandées.....</b>	<b>15</b>
3.1 Soins réguliers.....	15
3.2 Émission et réception.....	16
3.3 Positions recommandées pour le port du micro haut-parleur déporté.....	17
3.4 Gestion des câbles.....	17

## Chapitre 1

# Présentation du produit

Ce manuel de l'utilisateur présente le micro haut-parleur déporté RM110, avec prise audio 3,5 mm (IP55), PMMN4148.



Numéro	Description
1	Bouton PTT (Push-to-Talk)
2	Prise audio pour réception uniquement 3,5 mm (non filetée) recouverte d'un cache anti-poussière

### 1.1

## Accessoires audio secondaires compatibles

Référence	Descriptions
PMLN8120	Oreillette pour réception uniquement avec tube transparent extra large, fiche 3,5 mm

1.2

## Pièces de rechange

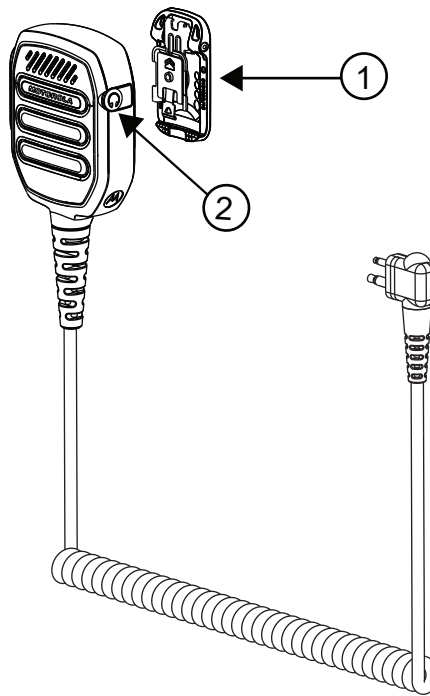
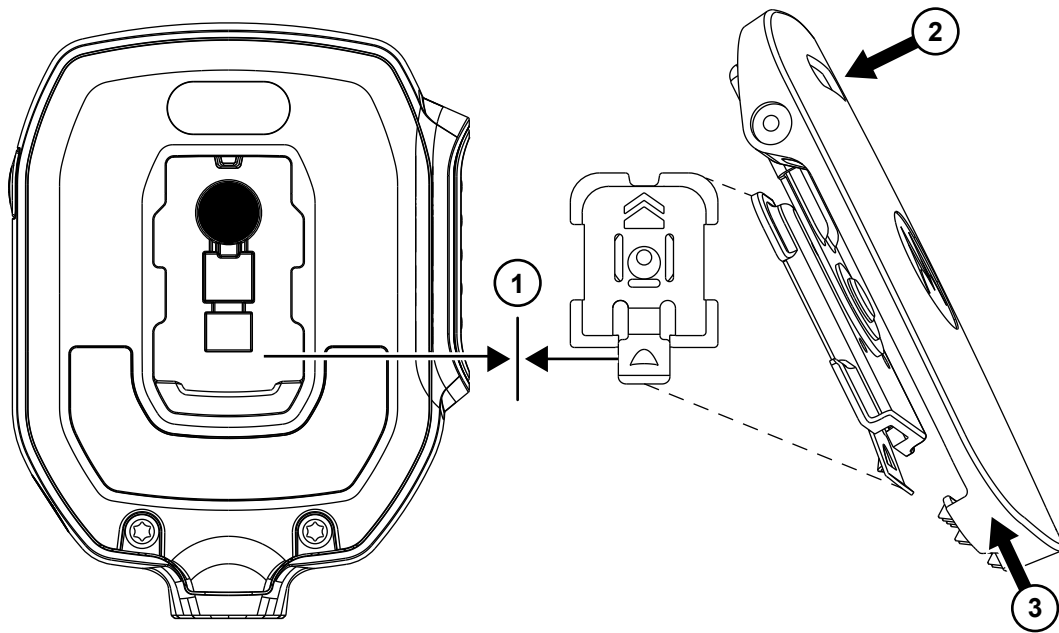


Tableau 1 : Légendes des pièces de rechange

Numéro	Descriptions
1	Clip pivotant discret (PMLN8121)
2	Cache anti-poussière, 10 par paquet (PMLN8253)

1.2.1

## Fixation du clip pivotant

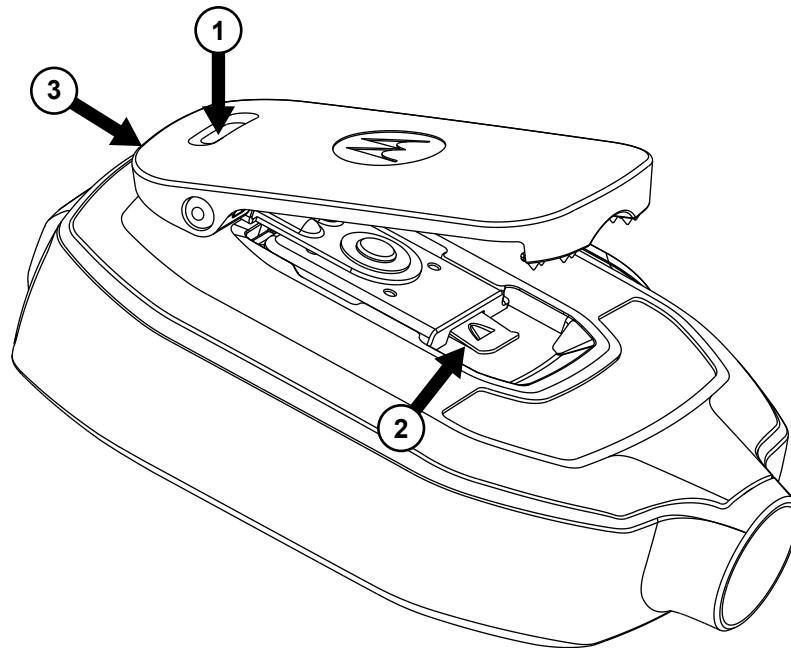


**Procédure :**

- 1 Alignez le loquet de déverrouillage inférieur de sorte qu'il soit orienté vers le bas.
- 2 Appuyez sur la partie supérieure du clip.
- 3 Faites glisser simultanément le clip vers le haut.

### 1.2.2

## Retrait du clip pivotant

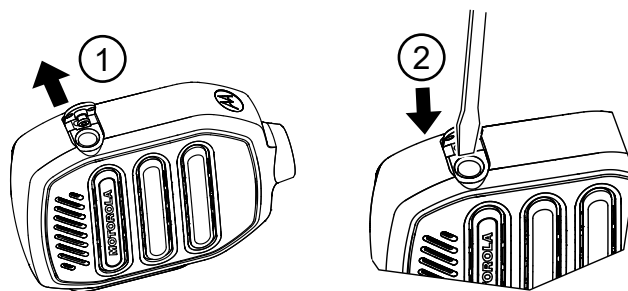


#### Procédure :

- 1 Appuyez sur le haut du clip pour le relever.
- 2 Soulevez le loquet de déverrouillage inférieur.
- 3 Faites glisser le clip pour le retirer.

### 1.2.3

## Retrait du cache anti-poussière

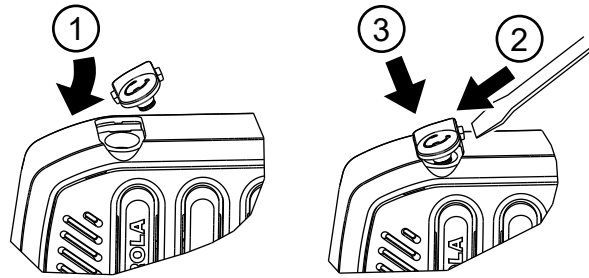


#### Procédure :

- 1 Soulevez le cache anti-poussière jusqu'à ce qu'il soit complètement ouvert.
- 2 Insérez un petit outil plat dans la cavité et retirez le cache anti-poussière.

#### 1.2.4

### Insertion du cache anti-poussière



#### Procédure :

- 1 Faites glisser la languette latérale du cache anti-poussière dans la cavité.
- 2 Poussez le côté opposé à l'aide d'un petit outil.
- 3 Appuyez simultanément sur le cache anti-poussière dans le micro haut-parleur déporté.

## Chapitre 2

# Instructions d'utilisation

Cette section contient des instructions concernant l'utilisation de votre micro haut-parleur déporté.

### 2.1

## Installation du micro haut-parleur déporté sur la radio

### Prérequis :

Éteignez votre radio.



### REMARQUE :

pour garantir un fonctionnement correct, éteignez la radio avant de connecter le micro haut-parleur déporté à la radio. Lorsque vous connectez le micro haut-parleur déporté à la radio, le haut-parleur de la radio est désactivé, mais le microphone et le PTT de la radio restent activés.

### Procédure :

Fixez le connecteur du microphone haut-parleur déporté (RSM) au connecteur latéral de la radio.

### 2.2

## Retrait du micro haut-parleur déporté de la radio

### Prérequis :

Éteignez votre radio.

### Quand et où l'utiliser :

### Procédure :

- 1 Retirez le connecteur du micro haut-parleur déporté (RSM) du connecteur latéral de la radio.
- 2 Laissez le cache anti-poussière inséré dans la prise audio du micro haut-parleur déporté lorsqu'aucun accessoire secondaire n'est utilisé.



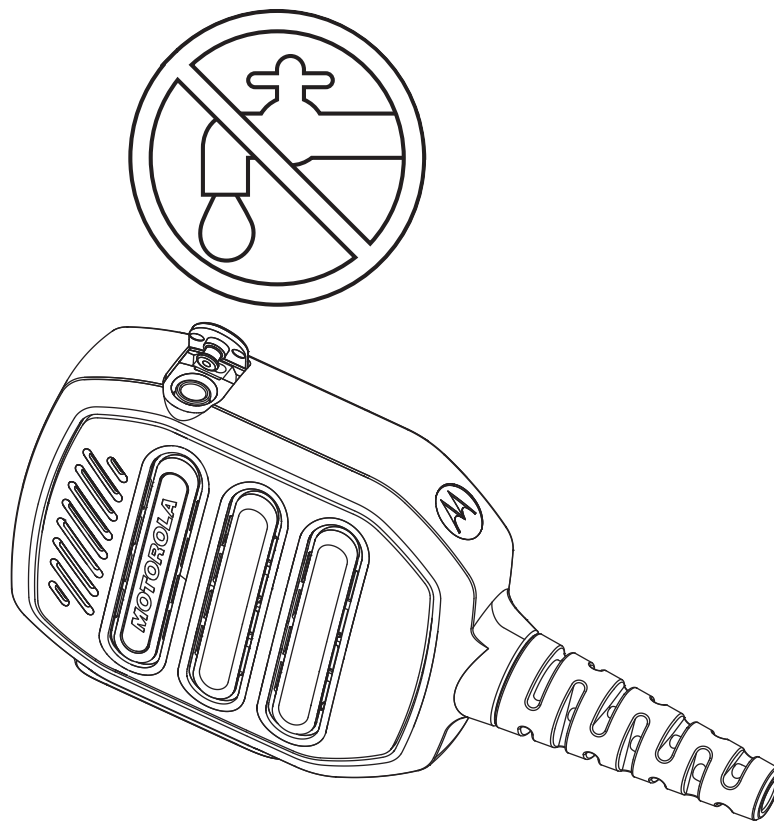
## Chapitre 3

# Pratiques recommandées

Cette section contient des informations sur les pratiques recommandées concernant le micro haut-parleur déporté.

### 3.1

## Soins réguliers



- Recouvrez la prise audio avec un cache anti-poussière lorsqu'aucune oreillette n'y est raccordée. Ne mettez pas d'eau dans la prise audio.
- Si de l'eau pénètre dans la prise audio, secouez le micro haut-parleur déporté pour éliminer l'eau.

3.2

## Émission et réception

Figure 1 : Émission

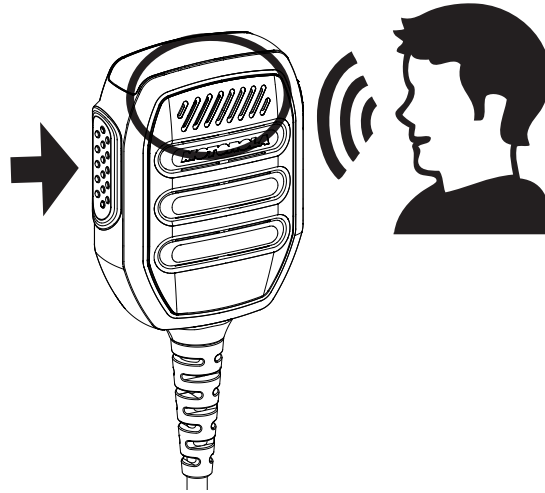


Figure 2 : Réception



### 3.3

## Positions recommandées pour le port du micro haut-parleur déporté

Figure 3 : Position de port recommandée



**REMARQUE :**

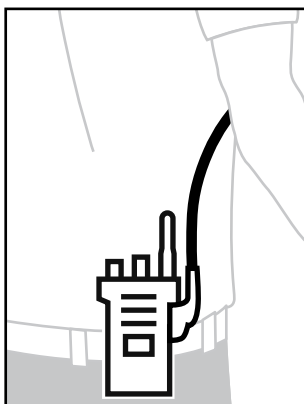
pour de meilleures performances, portez le micro haut-parleur déporté et l'appareil du même côté.

### 3.4

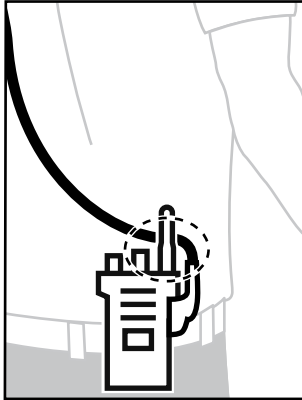
## Gestion des câbles

Cette section décrit la position recommandée des câbles.

Figure 4 : Position recommandée



**Figure 5 : Position non recommandée**



Pour garantir une portée maximale et une expérience utilisateur optimale, évitez de mettre le câble de l'accessoire en contact avec l'antenne de la radio.



# **Guida dell'utente del microfono-altoparlante remoto con jack audio da 3,5 mm (IP55) RM110 PMMN4148**

**MARZO 2023**

© 2023 Motorola Solutions, Inc. All rights reserved



MN009681A01-AA

# Informazioni legali e sulla sicurezza

Questa sezione fornisce informazioni legali e sulla sicurezza per questo prodotto.

## Proprietà intellettuale e avvisi sulla conformità

### Copyright

I prodotti Motorola Solutions descritti in questo documento possono includere programmi per computer Motorola Solutions protetti da copyright. Le leggi in vigore negli Stati Uniti e in altri Paesi garantiscono a Motorola Solutions alcuni diritti esclusivi per i programmi per computer protetti da copyright. Pertanto, tutti i programmi per computer Motorola Solutions protetti da copyright e inclusi nei prodotti Motorola Solutions descritti nel presente documento non possono essere copiati o riprodotti in alcun modo senza l'espresso consenso scritto di Motorola Solutions.

Nessuna parte di questo documento può essere riprodotta, trasmessa, memorizzata in un sistema di riproduzione o tradotta in qualunque lingua o linguaggio informatico, in qualsiasi forma o con qualsiasi mezzo, senza il previo consenso scritto di Motorola Solutions, Inc.

### Marchi

MOTOROLA, MOTO, MOTOROLA SOLUTIONS e il logo della M stilizzata sono marchi o marchi registrati di Motorola Trademark Holdings, LLC, utilizzati su licenza. Tutti gli altri marchi appartengono ai rispettivi proprietari.

### Diritti di licenza

L'acquisto di prodotti Motorola Solutions non garantirà in modo esplicito o implicito, per preclusione o altro, alcuna licenza nell'ambito dei diritti d'autore, dei brevetti o delle richieste di brevetto di Motorola Solutions, tranne la normale licenza d'uso non esclusiva e senza royalty, derivante per legge dalla vendita di un prodotto.

### Contenuti open source

Questo prodotto può contenere software open source utilizzati su licenza. Fare riferimento al materiale di installazione del prodotto per consultare il testo completo delle attribuzioni e delle note legali sulle risorse open source.

### Direttiva dell'Unione europea (UE) e del Regno Unito (UK) sui rifiuti di apparecchiature elettriche ed elettroniche (RAEE)



La direttiva RAEE dell'Unione europea e la normativa WEEE del Regno Unito richiedono che sui prodotti venduti nei Paesi dell'UE e nel Regno Unito sia presente l'etichetta di un cassonetto dei rifiuti con ruote barrate (o, in alcuni casi, sulla confezione). Come stabilito dalla direttiva RAEE, l'etichetta di un cassonetto dei rifiuti con ruote barrate indica che i clienti e gli utenti finali dei Paesi dell'Unione europea e del Regno Unito non devono smaltire gli apparecchi elettronici ed elettrici o gli accessori insieme ai rifiuti domestici.

I clienti o gli utenti finali dei Paesi dell'Unione europea e del Regno Unito devono contattare il centro assistenza o il rappresentante del fornitore dell'apparecchiatura locale per ottenere informazioni sul sistema di raccolta dei rifiuti della zona.

## Esclusione di responsabilità

Tenere presente che determinate funzioni, strutture e funzionalità descritte nel presente documento potrebbero non essere applicabili o non possedere la licenza per l'utilizzo su un determinato sistema oppure potrebbero dipendere dalle caratteristiche di una specifica configurazione di determinati parametri o unità del terminale radio mobile. Per maggiori informazioni, contattare il proprio referente Motorola Solutions.

© 2023 Motorola Solutions, Inc. Tutti i diritti riservati

## Guida sull'esposizione a sorgenti di energia RF e sulla sicurezza del prodotto per radio ricetrasmittenti portatili

### AVVERTENZA:

Prima di utilizzare questo accessorio, leggere questa guida, che contiene importanti istruzioni sul funzionamento per utilizzare con sicurezza il dispositivo, nonché informazioni sull'esposizione all'energia di RF e sul controllo nel rispetto delle norme e dei regolamenti vigenti in materia.

L'uso del microfono-altoparlante remoto (RSM) collegato alla radio è limitato solo a scopi professionali al fine di soddisfare i requisiti di esposizione all'energia di radiofrequenza (RF) dell'FCC/ICNIRP. Prima di usare questo prodotto, leggere le informazioni sull'energia di radiofrequenza e le istruzioni per il funzionamento riportate nell'opuscolo Sicurezza del prodotto ed esposizione all'energia di radiofrequenza (RF) allegato alla radio per garantire che siano rispettati i limiti di esposizione.

## Sicurezza acustica

L'esposizione a forti rumori provenienti da qualsiasi origine per un periodo di tempo prolungato può causare danni temporanei o permanenti all'udito. Più alto è il volume della radio, minore è il tempo necessario perché l'udito ne risenta. I danni all'udito provocati da forti rumori, a volte, non sono rilevabili in un primo momento e possono avere un effetto cumulativo. Per proteggere l'udito:

- Utilizzare il livello di volume più basso necessario per svolgere il proprio lavoro.
- Alzare il volume solo se ci si trova in ambienti rumorosi.
- Abbassare il volume prima di utilizzare le cuffie o l'auricolare.
- Limitare il tempo di utilizzo di cuffie o auricolari con un volume elevato.
- Quando si utilizza la radio senza cuffie o auricolare, non posizionare l'altoparlante della radio direttamente sull'orecchio.
- In caso di fastidi all'udito, fischi, sibili o ridotta capacità di percezione, non utilizzare più la cuffia o l'auricolare per ascoltare la radio e rivolgersi al medico per un controllo.

## Assistenza e garanzia

L'RSM è coperto dalla garanzia rilasciata da Motorola Solutions. Contattare il proprio rivenditore Motorola Solutions o il punto vendita per informazioni dettagliate.



### NOTA:

la presente garanzia è da considerarsi nulla dopo la sostituzione da parte dell'utente di qualsiasi parte diversa dalle parti di ricambio elencate.

## Marchi di certificazione



## Indirizzo di contatto

### Contatto Unione europea

Motorola Solutions,  
Czerwone Maki 82,  
30-392 Cracovia, Polonia

### Contatto Regno Unito

Motorola Solutions UK Ltd.,  
Nova South, 160 Victoria Street,  
Londra, SW1E 5LB,  
Regno Unito



# Contattaci

Il centro operazioni di supporto gestito centralizzato (CMSO, Centralized Managed Support Operations) rappresenta il contatto primario per l'assistenza tecnica compresa nel contratto di assistenza tra l'organizzazione di riferimento e Motorola Solutions.

I clienti che hanno sottoscritto il contratto di assistenza devono assicurarsi di rivolgersi al CMSO in tutte le situazioni elencate alla voce Responsabilità del cliente del relativo contratto, ad esempio:

- Per confermare i risultati della risoluzione del problema e l'analisi prima di procedere

La propria organizzazione ha ricevuto numeri di telefono dell'assistenza e altre informazioni di contatto appropriate per la propria area geografica e il proprio contratto di assistenza. Utilizzare tali informazioni di contatto per fornire la risposta più efficace. Tuttavia, se necessario, è anche possibile individuare informazioni di contatto per l'assistenza generica sul sito Web di Motorola Solutions, attenendosi alla seguente procedura:

- 1 Accedere al sito Web [motorolasolutions.com](https://motorolasolutions.com) del browser in uso.
- 2 Verificare che vengano visualizzati sulla pagina il Paese o la regione della propria organizzazione. Facendo clic sul nome della regione o toccandolo, è possibile modificarlo.
- 3 Selezionare "Supporto" nella pagina [motorolasolutions.com](https://motorolasolutions.com).

## Commenti

Inviare domande e commenti relativi alla documentazione per l'utente all'indirizzo [documentation@motorolasolutions.com](mailto:documentation@motorolasolutions.com).

Quando si segnala un errore di documentazione, è necessario fornire le seguenti informazioni:

- Titolo del documento e codice prodotto
- Numero di pagina o titolo della sezione con l'errore
- Descrizione dell'errore

Motorola Solutions offre vari corsi progettati per promuovere la conoscenza del sistema. Per informazioni, visitare il sito <https://learning.motorolasolutions.com> per visualizzare i percorsi tecnologici e le offerte di corsi correnti.

# Convenzioni delle icone

La documentazione è stata pensata per fornire al lettore più riferimenti visivi. Di seguito, sono riportate le icone grafiche utilizzate nella documentazione.



**PERICOLO:**

la parola PERICOLO con l'icona di sicurezza associata indica la presenza di informazioni che, se non rispettate, possono provocare lesioni gravi o fatali.



**ATTENZIONE:**

la parola ATTENZIONE con l'icona di sicurezza associata indica la presenza di informazioni che, se non rispettate, possono provocare lesioni gravi o fatali oppure gravi danni al prodotto.



**AVVERTENZA:**

la parola AVVERTENZA con l'icona di sicurezza associata indica la presenza di informazioni che, se non rispettate, possono provocare lesioni di entità minore o moderata oppure gravi danni al prodotto.

**AVVERTENZA:**

la parola AVVERTENZA può essere utilizzata senza l'icona di sicurezza a indicare lesioni o danni potenziali non correlati al prodotto.



**IMPORTANTE:**

le dichiarazioni contrassegnate dalla parola IMPORTANTE contengono informazioni fondamentali per quello di cui si sta parlando, ma sono diverse dalle indicazioni AVVERTENZA o ATTENZIONE. Non esiste un livello di attenzione associato alle dichiarazioni contrassegnate dalla parola IMPORTANTE.




**NOTA:**

la NOTA contiene informazioni più importanti rispetto al testo circostante, ad esempio le eccezioni o le condizioni preliminari. Inoltre, indirizza il lettore verso altri punti della documentazione per ulteriori informazioni, descrive la procedura per completare un'azione (ad esempio, qualora quest'ultima non sia inclusa nella procedura corrente) oppure indica il punto in cui si trova un elemento sullo schermo. Alla nota non è associato alcun livello di avviso.

# Convenzioni tipografiche

Vengono utilizzate le seguenti convenzioni tipografiche:

Convenzione	Descrizione
<b>Grassetto</b>	Questo carattere tipografico viene utilizzato per i nomi, ad esempio nel caso di finestre, pulsanti ed etichette, quando questi nomi vengono visualizzati sullo schermo (es.: finestra <b>Browser allarmi</b> ). Quando è chiaro che, ad esempio, si fa riferimento a un pulsante, il nome viene utilizzato da solo (es.: Fare clic su <b>OK</b> ).
Monospacing font in bold	Questo carattere tipografico viene utilizzato per digitare le parole esattamente come vengono visualizzate nel testo (es.: Nel campo <b>Indirizzo</b> , digitare <code>http://ucs01.ucs:9080/</code> ).
Monospacing font	Questo carattere tipografico viene utilizzato per messaggi, richieste e altro testo visualizzato sullo schermo del computer (es.: È stata aggiunta una nuova destinazione trap).
<b>&lt;Carattere monospazio in corsivo grassetto&gt;</b>	Questo carattere tipografico viene utilizzato con le parentesi angolari come segnaposto per uno specifico membro del gruppo rappresentato dalle parole (es.: <b>&lt;numero di router&gt;</b> ).
	 <b>NOTA:</b> nelle sequenze da digitare, le parentesi angolari vengono omesse per evitare confusione sull'inclusione o meno delle stesse nel testo da digitare.
LETTERE MAIUSCOLE	Questo carattere tipografico viene utilizzato per i tasti della tastiera (es.: Premere Y, quindi premere INVIO).
<i>Corsivo</i>	Questo carattere tipografico viene utilizzato per le citazioni. Una citazione in genere è il nome di un documento o una frase di un altro documento (es.: <i>Panoramica del sistema Dimetra IP</i> ).
→	Il carattere → (freccia rivolta a destra) viene utilizzato per indicare una struttura di menu o schede nelle istruzioni su come selezionare una determinata voce di menu (es.: <b>File</b> → <b>Salva</b> ) o una determinata scheda secondaria.

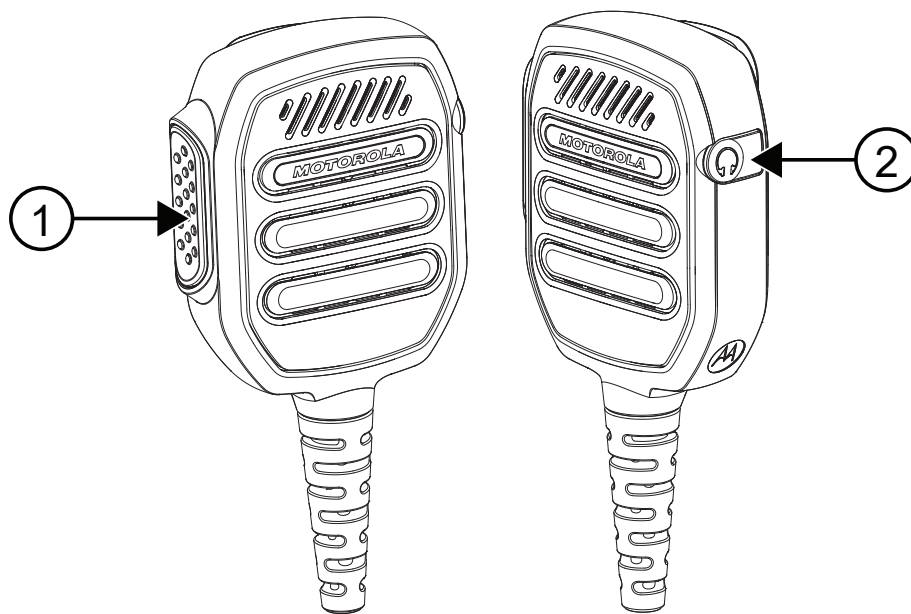
# Sommaro

<b>Informazioni legali e sulla sicurezza.....</b>	<b>2</b>
Proprietà intellettuale e avvisi sulla conformità.....	2
Guida sull'esposizione a sorgenti di energia RF e sulla sicurezza del prodotto per radio ricetrasmittenti portatili.....	3
Sicurezza acustica.....	3
Assistenza e garanzia.....	3
Marchi di certificazione.....	4
Indirizzo di contatto.....	4
<b>Contattaci.....</b>	<b>5</b>
<b>Convenzioni delle icone.....</b>	<b>6</b>
<b>Convenzioni tipografiche.....</b>	<b>7</b>
<b>Capitolo 1: Panoramica del prodotto.....</b>	<b>9</b>
1.1 Accessori audio secondari compatibili.....	9
1.2 Parti di ricambio.....	10
1.2.1 Montaggio della clip girevole.....	11
1.2.2 Rimozione della clip girevole.....	12
1.2.3 Rimozione del cappuccio parapolvere.....	12
1.2.4 Inserimento del cappuccio parapolvere.....	13
<b>Capitolo 2: Istruzioni sul funzionamento.....</b>	<b>14</b>
2.1 Collegamento dell'RSM alla radio.....	14
2.2 Rimozione dell'RSM dalla radio.....	14
<b>Capitolo 3: Modalità di utilizzo consigliate.....</b>	<b>15</b>
3.1 Manutenzione ordinaria.....	15
3.2 Trasmissione e ricezione.....	16
3.3 Posizioni consigliate per indossare l'RSM.....	17
3.4 Gestione del cavo.....	17

## Capitolo 1

# Panoramica del prodotto

Questo manuale dell'utente descrive il microfono-altoparlante remoto RM110, con jack audio da 3,5 mm (IP55), PMMN4148.



Numero	Descrizione
1	Pulsante Push-To-Talk
2	Jack audio di sola ricezione da 3,5 mm (non filettato) coperto da cappuccio parapolvere

### 1.1

## Accessori audio secondari compatibili

N.	Descrizioni
PMLN8120	Auricolare con cavetto trasparente xL solo Rx, jack da 3,5 mm

1.2

## Parti di ricambio

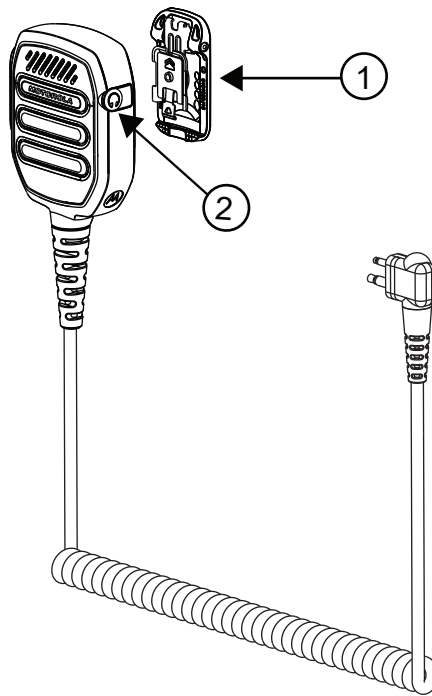
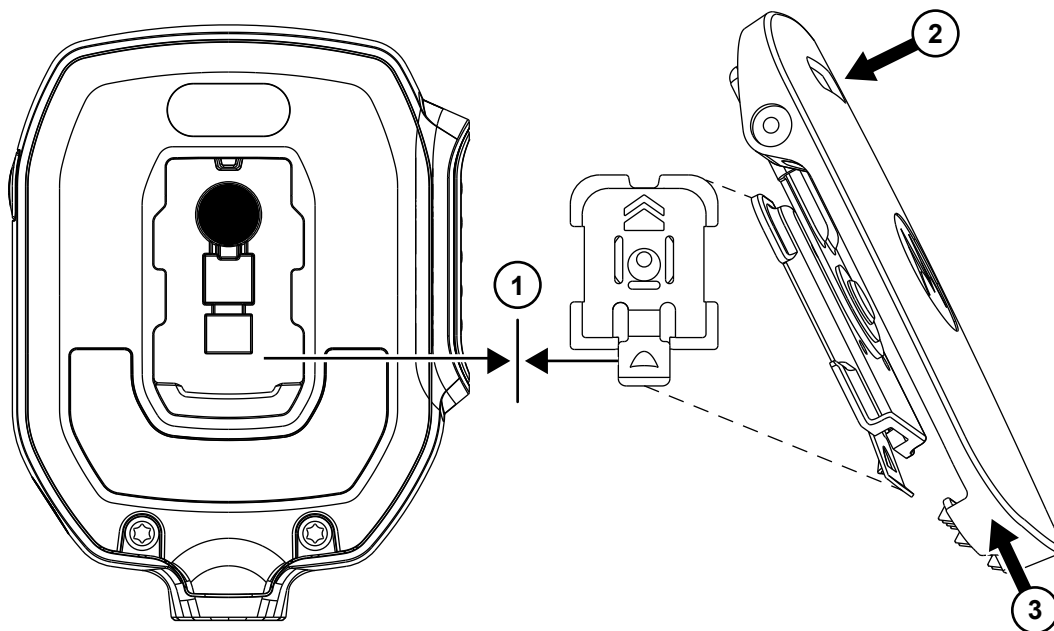


Tabella 1: Legenda delle parti di ricambio

N.	Descrizioni
1	Clip girevole a profilo piatto (PMLN8121)
2	Cappuccio parapolvere 10 pz./conf. (PMLN8253)

1.2.1

## Montaggio della clip girevole

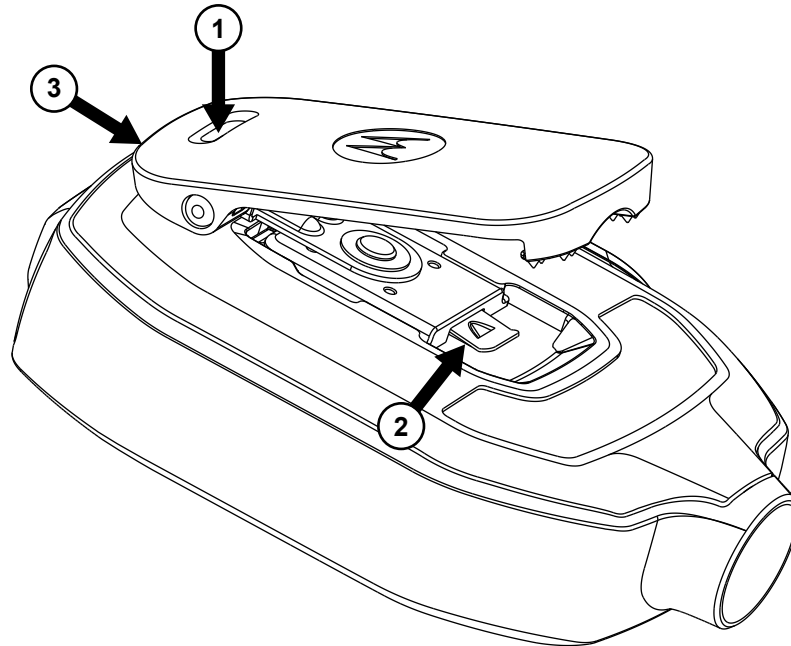


**Procedura:**

- 1 Allineare la linguetta di sblocco inferiore rivolta verso il basso.
- 2 Spingere verso il basso la parte superiore della clip.
- 3 Contemporaneamente, far scorrere la clip verso l'alto.

### 1.2.2

## Rimozione della clip girevole

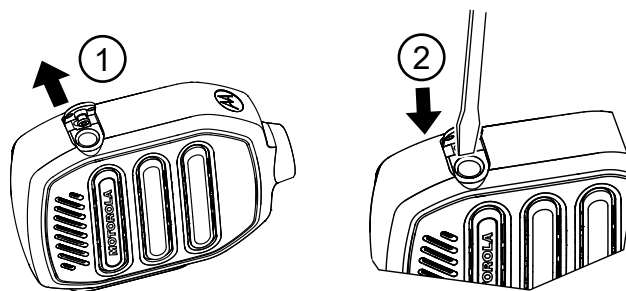


### Procedura:

- 1 Spingere la parte superiore della clip per sollevarla il più possibile.
- 2 Sollevare la linguetta di sblocco inferiore.
- 3 Far scorrere la clip per rimuoverla.

### 1.2.3

## Rimozione del cappuccio parapolvere



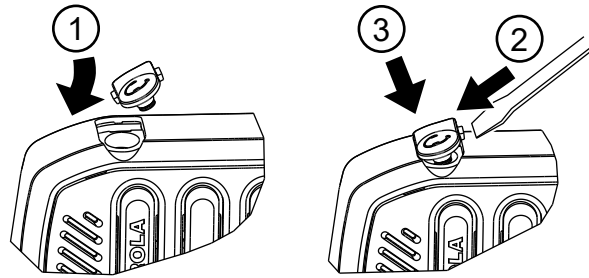
### Procedura:

- 1 Sollevare il cappuccio parapolvere fino a quando è completamente aperto.
- 2 Inserire lo strumento a punta piatta piccola nella cavità e fare leva sul cappuccio parapolvere.



#### 1.2.4

### Inserimento del cappuccio parapolvere



#### Procedura:

- 1 Far scorrere la linguetta laterale del cappuccio parapolvere nella fessura.
- 2 Spingere il lato opposto con lo strumento piccolo.
- 3 Spingere contemporaneamente il cappuccio parapolvere nell'RSM.

## Capitolo 2

# Istruzioni sul funzionamento

Questa sezione fornisce le linee guida sull'utilizzo del microfono-altoparlante remoto.

## 2.1

### Collegamento dell'RSM alla radio

**Prerequisiti:**

spegnere la radio.



**NOTA:**

per garantire il corretto funzionamento, spegnere la radio prima di collegare l'RSM. La connessione dell'RSM alla radio disattiva l'altoparlante della radio, ma non disattiva il microfono e il PTT della radio.

**Procedura:**

Collegare il connettore del microfono-altoparlante remoto (RSM) al connettore laterale della radio.

## 2.2

### Rimozione dell'RSM dalla radio

**Prerequisiti:**

spegnere la radio.

**Casi di utilizzo:**

**Procedura:**

- 1 Rimuovere il connettore del microfono-altoparlante remoto (RSM) dal connettore laterale della radio.
- 2 Tenere il cappuccio parapolvere inserito nel jack audio dell'RSM quando non si utilizza un accessorio secondario.

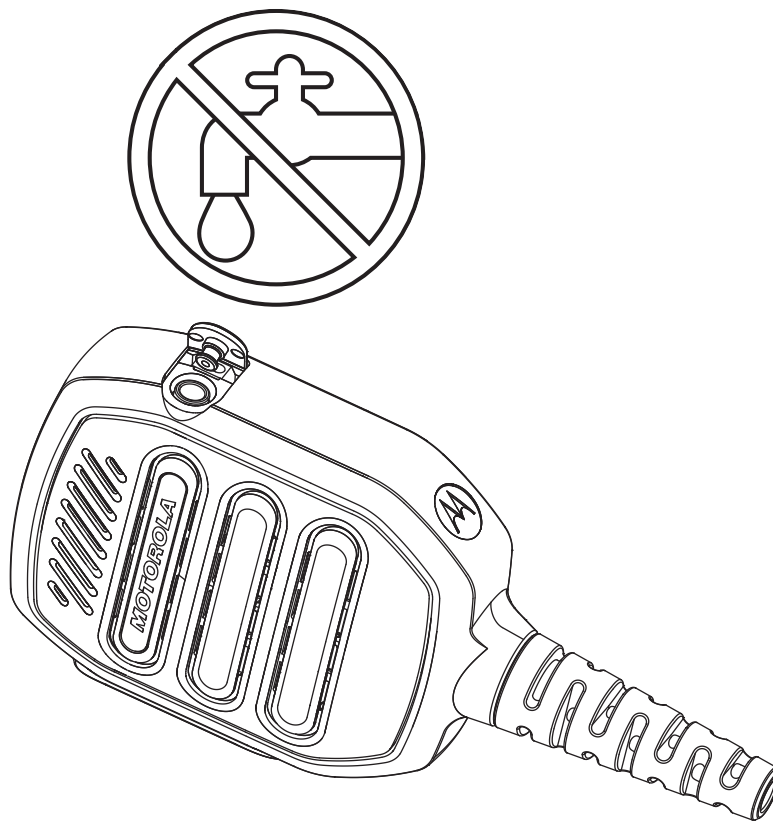
## Capitolo 3

# Modalità di utilizzo consigliate

Questa sezione fornisce informazioni sulle modalità di utilizzo consigliate per il microfono-altoparlante remoto (RSM).

### 3.1

## Manutenzione ordinaria



- Coprire il jack audio con il cappuccio parapolvere quando non è collegato all'auricolare. Non bagnare il jack audio.
- Se entra dell'acqua nel jack audio, rimuoverla scuotendo l'RSM.

3.2

## Trasmissione e ricezione

Figura 1: Trasmissione

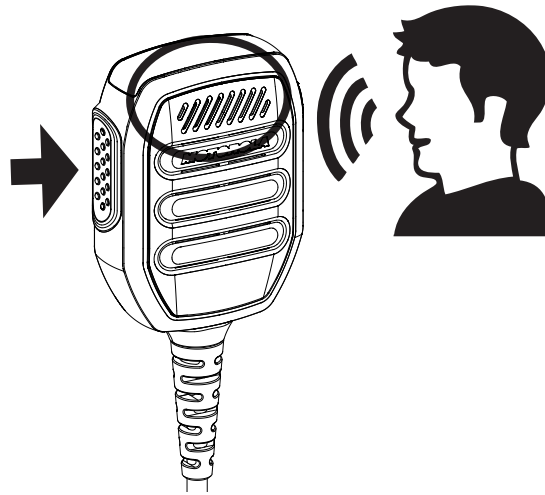


Figura 2: Ricezione



### 3.3

## Posizioni consigliate per indossare l'RSM

Figura 3: Posizione di uso consigliata



**NOTA:**

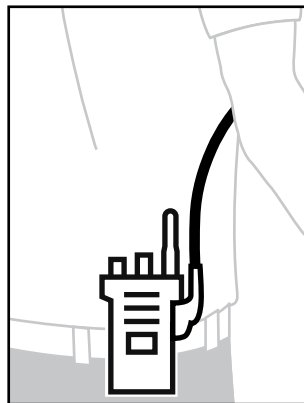
Per prestazioni migliori, indossare l'RSM e il dispositivo sullo stesso lato.

### 3.4

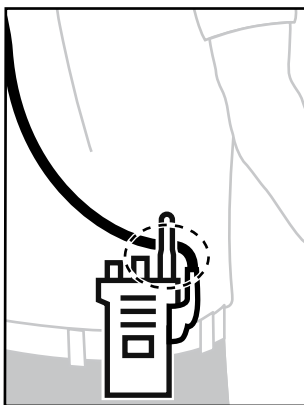
## Gestione del cavo

Questa sezione descrive la posizione del cavo consigliata.

Figura 4: Consigliata



**Figura 5: Non consigliata**



Per garantire il massimo raggio d'azione e la migliore esperienza utente, evitare che il cavo accessorio passi intorno all'antenna della radio.



# **Instrukcja obsługi zdalnego mikrofonogłośnika PMMN4148 RM110 z gniazdem audio 3,5 mm (IP55)**

**MARZEC 2023**

© 2023 Motorola Solutions, Inc. All rights reserved



MN009681A01-AA

# Bezpieczeństwo i kwestie prawne

W tej sekcji podane są informacje dotyczące bezpieczeństwa i kwestii prawnych dla tego produktu.

## Własność intelektualna i noty prawne

### Prawa autorskie

Produkty firmy Motorola Solutions opisane w tym dokumencie mogą obejmować autorskie programy komputerowe firmy Motorola Solutions. Prawo w Stanach Zjednoczonych i innych krajach zapewnia firmie Motorola Solutions pewne wyłączne prawa do programów komputerowych chronionych prawem autorskim. Wszelkie chronione prawem autorskim programy firmy Motorola Solutions zawarte w produktach Motorola opisanych w tym dokumencie nie mogą być kopiowane ani reprodukowane w jakikolwiek sposób bez wyraźnej pisemnej zgody firmy Motorola Solutions.

Żadna część niniejszego dokumentu nie może być powielana, przesyłana, przechowywana w systemie wyszukiwania danych ani tłumaczona na żaden język lub język komputerowy, w jakiegokolwiek formie i w jakikolwiek sposób, bez uprzedniej pisemnej zgody firmy Motorola Solutions, Inc.

### Znaki towarowe

MOTOROLA, MOTO, MOTOROLA SOLUTIONS oraz stylizowane logo M są znakami towarowymi lub zastrzeżonymi znakami towarowymi firmy Motorola Trademark Holdings, LLC i są używane na licencji. Wszelkie inne znaki towarowe należą do odpowiednich właścicieli.

### Prawa licencyjne

Zakup produktów firmy Motorola Solutions nie może być uważany za przekazanie — w sposób bezpośredni, dorozumiany, na podstawie wcześniejszych oświadczeń lub w jakikolwiek inny — licencji chronionych prawami autorskimi, patentami lub zgłoszeniami patentowymi, należących do firmy Motorola Solutions. Wyjątek stanowi zwykła, niewyłączna, wolna od opłat licencja, jaka zgodnie z prawem jest skutkiem transakcji sprzedaży produktu.

### Zawartość Open Source

Niniejszy produkt może zawierać oprogramowanie typu Open Source. Korzystanie z niego jest objęte licencją. Pełną zawartość not prawnych dotyczących oprogramowania Open Source oraz kwestii przypisania własności można znaleźć na nośniku instalacyjnym produktu.

### Dyrektywa Unii Europejskiej (UE) i Wielkiej Brytanii (UK) dotycząca zużytego sprzętu elektrycznego i elektronicznego (WEEE)



Dyrektywa WEEE Unii Europejskiej i przepisy brytyjskie WEEE wymagają, aby produkty sprzedawane do krajów Unii Europejskiej i Wielkiej Brytanii były oznaczone etykietą z symbolem przekreślonego kosza, umieszczoną na urządzeniu (lub, w niektórych przypadkach, na opakowaniu). Zgodnie z definicją dyrektywy WEEE etykieta z symbolem przekreślonego kosza oznacza, że klienci i użytkownicy końcowi w krajach Unii Europejskiej i Wielkiej Brytanii nie mogą wyrzucać sprzętu ani akcesoriów elektrycznych i elektronicznych wraz z odpadami gospodarczymi.

Klienci i użytkownicy końcowi w krajach Unii Europejskiej i Wielkiej Brytanii powinni uzyskać informacje na temat zbiórki odpadów w danym państwie u miejscowego sprzedawcy urządzeń lub w centrum serwisowym.



## Zastrzeżenie

Należy pamiętać, że niektóre funkcje, instalacje i możliwości opisane w tym dokumencie mogą nie mieć zastosowania do lub nie być licencjonowane do użytku z określonym systemem lub mogą być zależne od cech określonej przewoźnej jednostki abonenckiej lub konfiguracji niektórych parametrów. Aby uzyskać więcej informacji, należy zwrócić się do osoby kontaktowej firmy Motorola Solutions.

© 2023 Motorola Solutions, Inc. Wszelkie prawa zastrzeżone.

## Podręcznik bezpieczeństwa produktu i działania fal radiowych dwukierunkowych radiotelefonów przenośnych

### PRZESTROGA:

Zgodnie z obowiązującymi normami i przepisami, przed rozpoczęciem korzystania z akcesorium należy zapoznać się z niniejszym podręcznikiem, który zawiera instrukcje gwarantujące bezpieczne użytkowanie oraz uwagi dotyczące energii o częstotliwości radiowej.

Zdalny mikrofonogłośnik po podłączeniu do radiotelefonu ogranicza pracę wyłącznie do celów służbowych, aby spełnić wymagania FCC/ICNIRP dotyczące oddziaływania fal radiowych. Przed użyciem tego produktu należy przeczytać informacje o energii o częstotliwości radiowej oraz instrukcje obsługi zawarte w broszurze na temat bezpieczeństwa użytkowania produktu i zgodność z wymogami dotyczącymi narażenia na działanie częstotliwości radiowej, dołączonej do radiotelefonu w celu zapewnienia zgodności z limitami narażenia na działanie energii o częstotliwości radiowej.

## Bezpieczeństwo akustyczne

Przebywanie przez dłuższy czas w bardzo głośnym otoczeniu może czasowo lub na stałe negatywnie wpłynąć na słuch. Im głośniejszy jest dźwięk radiotelefonu, tym mniej czasu potrzeba, aby słuch uległ uszkodzeniu. Zdarza się, że uszkodzenia słuchu spowodowane hałasem są początkowo trudne do wykrycia i mogą narastać z upływem czasu. Aby chronić słuch:

- Należy korzystać z najniższego poziomu głośności koniecznego do wykonania pracy.
- Należy zwiększać poziom głośności tylko w przypadku znajdowania się w hałaśliwym otoczeniu.
- Należy zmniejszać głośność przed podłączeniem zestawu słuchawkowego lub słuchawki.
- Należy ograniczać czas korzystania z zestawu słuchawkowego lub słuchawki z ustawionym wysokim poziomem głośności.
- Nie należy umieszczać głośnika bezpośrednio przy uchu podczas korzystania z urządzenia bez zestawu słuchawkowego lub słuchawki.
- W przypadku wystąpienia dyskomfortu podczas słuchania, dzwonienia w uszach lub jeśli słyszenia stłumionej mowy, należy przestać słuchać radiotelefonu przez zestaw słuchawkowy lub słuchawkę i zbadać słuch u lekarza.

## Serwis i gwarancja

Motorola Solutions udziela gwarancji na zakupione zdalne mikrofonogłośniki. Więcej informacji można uzyskać u dystrybutora Motorola Solutions lub w punkcie sprzedaży.



### UWAGA:

Gwarancja zostanie unieważniona, jeśli klient wymieni jakiegokolwiek części poza wymienionymi na liście częściami zamiennymi.

## Oznaczenia certyfikacji



## Adres do kontaktu

### Kontakt w krajach Unii Europejskiej

Motorola Solutions,  
Czerwone Maki 82,  
30-392 Kraków, Polska

### Kontakt w Wielkiej Brytanii

Motorola Solutions UK Ltd.,  
Nova South, 160 Victoria Street,  
London, SW1E 5LB,  
Wielka Brytania

# Kontakt

Scentralizowane zarządzane operacje wsparcia (CMSO) są głównym punktem kontaktowym w zakresie wsparcia technicznego zawartego w umowie serwisowej Twojej organizacji z firmą Motorola Solutions.

Klienci, którzy zawarli umowę o świadczenie usług, powinni skontaktować się z CMSO we wszystkich sytuacjach wymienionych w ramach Obowiązków klienta zawartych w ich umowie, np:

- W celu potwierdzenia wyników rozwiązywania problemów i analizy przed podjęciem działań

Twoja organizacja otrzymała numery telefonów wsparcia i inne dane kontaktowe odpowiednie dla Twojego regionu geograficznego i umowy serwisowej. Skorzystaj z tych informacji kontaktowych, aby uzyskać jak najbardziej efektywną odpowiedź. Jednakże w razie potrzeby można również znaleźć ogólne informacje kontaktowe dotyczące pomocy technicznej na stronie internetowej firmy Motorola Solutions, postępując zgodnie z poniższymi wskazówkami:

- 1 Wprowadź [motorolasolutions.com](https://motorolasolutions.com) w przeglądarce.
- 2 Upewnij się, że kraj lub region Twojej organizacji zostały wyświetlone na stronie. Klikając lub dotykając nazwę regionu, można go zmienić.
- 3 Wybierz opcję „Pomoc” na stronie [motorolasolutions.com](https://motorolasolutions.com).

## Komentarze

Pytania i komentarze dotyczące dokumentacji użytkownika można przesyłać na adres [documentation@motorolasolutions.com](mailto:documentation@motorolasolutions.com).

Podczas zgłaszania błędu w dokumentacji należy podać następujące informacje:

- tytuł dokumentu i numer katalogowy;
- numer strony lub tytuł sekcji z błędem;
- opis błędu.

Firma Motorola Solutions oferuje różnorodne kursy mające na celu pomoc w pozyskiwaniu wiedzy na temat systemu. Aby uzyskać więcej informacji, przejdź pod adres <https://learning.motorolasolutions.com>, aby wyświetlić bieżącą ofertę kursów i ścieżki technologiczne.

# Konwencje dotyczące ikon

Zestaw dokumentacji został zaprojektowany w taki sposób, aby czytelnik otrzymywał więcej wskazówek wizualnych. W całym zestawie dokumentacji używane są następujące ikony graficzne.



**NIEBEZPIECZEŃSTWO:**

Słowo sygnalizujące NIEBEZPIECZEŃSTWO wraz ze związanym z nim symbolem zagrożenia oznacza informację, której nieprzestrzeganie może spowodować śmierć lub poważne obrażenia ciała.



**OSTRZEŻENIE:**

Słowo sygnalizujące OSTRZEŻENIE wraz ze związanym z nim symbolem zagrożenia oznacza informację, której nieprzestrzeganie może spowodować śmierć, poważne obrażenia ciała lub poważne uszkodzenie produktu.



**PRZESTROGA:**

Słowo sygnalizujące PRZESTROGA wraz ze związanym z nim symbolem zagrożenia oznacza informację, której nieprzestrzeganie może spowodować lekkie lub średnio ciężkie obrażenia ciała, lub poważne uszkodzenie produktu.

**PRZESTROGA:**

Słowo sygnalizujące PRZESTROGA może być używane bez symbolu zagrożenia w celu poinformowania o potencjalnych obrażeniach lub uszkodzeniach, które nie są związane z produktem.



**WAŻNE:**

Treści oznaczone jako WAŻNE zawierają informacje, które mają kluczowe znaczenie dla omawianego tematu, ale nie są oznaczone jako PRZESTROGA lub OSTRZEŻENIE. Z treściami oznaczonymi jako WAŻNE nie jest związane żadne ostrzeżenie.




**UWAGA:**

UWAGI zawierają informacje ważniejsze niż otaczający tekst, takie jak wyjątki lub warunki wstępne. Ponadto odsyłają one użytkownika w inne miejsce w celu uzyskania dodatkowych informacji, przypominają jak wykonać działanie (np. gdy nie jest ono częścią bieżącej procedury) lub mówią użytkownikowi, gdzie coś się znajduje na ekranie. Z uwagami nie jest związane żadne ostrzeżenie.

# Konwencje stylu

Stosowane są następujące konwencje stylu:

Konwencja	Opis
<b>Pogrubienie</b>	Ten krój pisma jest wykorzystywany do nazw, na przykład okien, przycisków i etykiet, jeśli nazwy te są widoczne na ekranie (przykład: okno <b>Alarms Browser (Przeglądarka alarmów)</b> ). Gdy jest oczywiste, do czego odnosi się dana treść, na przykład do przycisku, nazwa jest używana samodzielnie (przykład: kliknij <b>OK</b> ).
Monospacing font in bold	Ten krój pisma służy do słów, które mają być zapisane dokładnie tak, jak są wyświetlane w tekście (przykład: W polu <b>Adres</b> wpisz <code>http://ucs01.ucs:9080/</code> ).
Czcionka o stałej szerokości	Ten krój pisma jest wykorzystywany w wiadomościach, komunikatach i innych tekstach wyświetlanych na ekranie komputera (przykład: A new trap destination has been added (Dodano nowe miejsce przeznaczenia komunikatu trap).
<Czcionka o stałej szerokości zapisana z pogrubieniem i kursywą>	Ten krój pisma jest używany z nawiasami ostrymi jako symbol zastępczy określonego elementu grupy opisanego tymi słowami (na przykład: <numer routera>).   <b>UWAGA:</b> Ciągi znaków, które mają zostać wpisane, są pozbawione nawiasów ostrych, aby uniknąć zastanawiania się, czy należy uwzględnić ostre nawiasy w tekście, który ma zostać wpisany.
WIELKIE LITERY	Ten krój pisma służy do wskazywania przycisków klawiatury (przykład: naciśnij Y, a następnie naciśnij ENTER).
Kursywa	Ten krój pisma jest używany do cytowania. Cytaty to zazwyczaj nazwy dokumentów lub wyrażeń z innych dokumentów (przykład: <i>Informacje ogólne o systemie Dimetra IP</i> ).
→	Znak → (strzałka skierowana w prawo) jest używany do wskazania struktury menu lub karty w instrukcjach dotyczących sposobu wyboru określonych pozycji menu (przykład: <b>Plik</b> → <b>Zapisz</b> ) lub określonych zakładek podrzędnych.

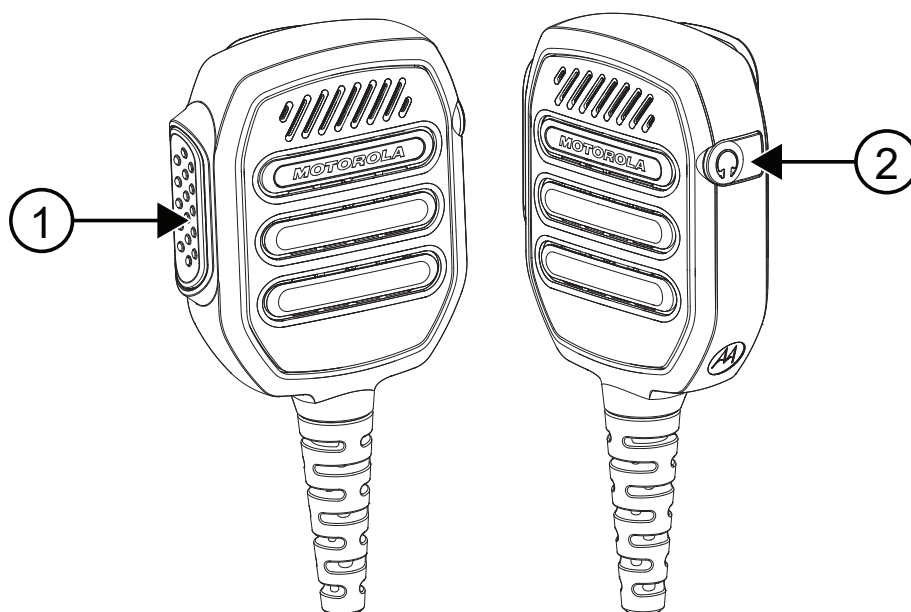
# Spis treści

<b>Bezpieczeństwo i kwestie prawne.....</b>	<b>2</b>
Własność intelektualna i noty prawne.....	2
Podręcznik bezpieczeństwa produktu i działania fal radiowych dwukierunkowych radiotelefonów przenośnych.....	3
Bezpieczeństwo akustyczne.....	3
Serwis i gwarancja.....	3
Oznaczenia certyfikacji.....	4
Adres do kontaktu.....	4
<b>Kontakt.....</b>	<b>5</b>
<b>Konwencje dotyczące ikon.....</b>	<b>6</b>
<b>Konwencje stylu.....</b>	<b>7</b>
<b>Rozdział 1: Przegląd produktu.....</b>	<b>9</b>
1.1 Zgodne dodatkowe akcesoria audio.....	9
1.2 Części zamienne.....	10
1.2.1 Montaż zacze­pu obrotowego.....	11
1.2.2 Odłączanie zacze­pu obrotowego.....	12
1.2.3 Zdejmowanie osłony przeciwkurzowej.....	12
1.2.4 Wsuwanie osłony przeciwkurzowej.....	13
<b>Rozdział 2: Instrukcje operacyjne.....</b>	<b>14</b>
2.1 Montaż zdalnego mikrofonogłośnika do radiotelefonu.....	14
2.2 Odłączanie zdalnego mikrofonogłośnika od radiotelefonu.....	14
<b>Rozdział 3: Zalecane praktyki.....</b>	<b>15</b>
3.1 Dbanie o urządzenie.....	15
3.2 Nadawanie i odbieranie.....	16
3.3 Zalecane pozycje noszenia zdalnych mikrofonogłośników.....	17
3.4 Prowadzenie kabla.....	17

## Rozdział 1

# Przegląd produktu

Ta instrukcja obsługi opisuje zdalny mikrofonogłośnik RM110 z gniazdem audio 3,5 mm (IP55), PMMN4148.



Numer	Opis
1	Przycisk PTT
2	Gniazdo audio 3,5 mm tylko do odbioru (z gwintowaniami), z osłoną przeciwkurzową

### 1.1

## Zgodne dodatkowe akcesoria audio

Nie	Opisy
PMLN8120	Słuchawka douszna z przezroczystą tubą xL tylko do odbioru, gniazdo 3,5 mm

1.2

## Części zamienne

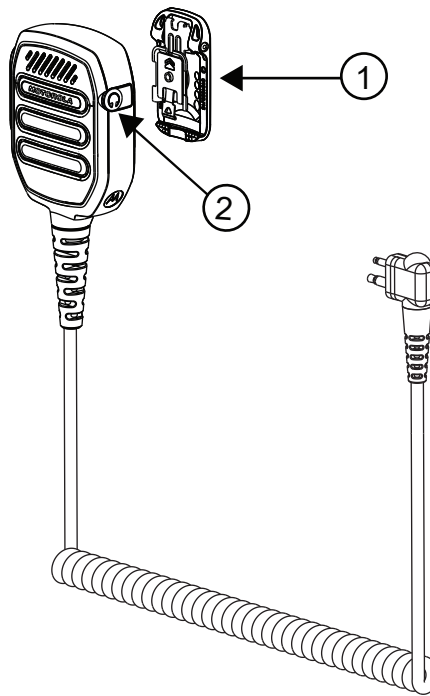


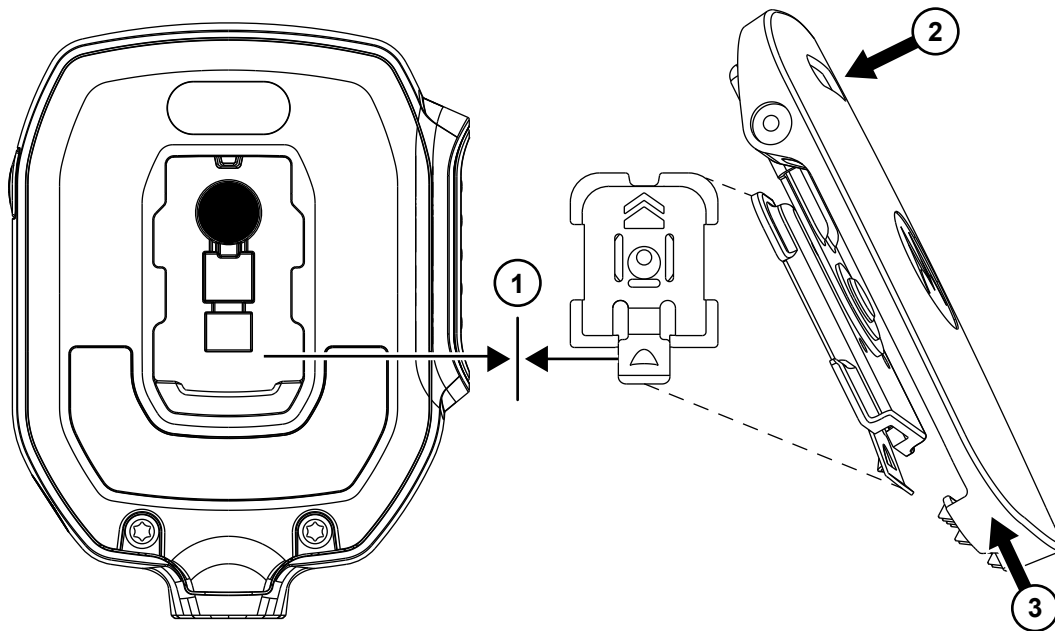
Tabela 1: Objasnienia części zamiennych

Nie	Opisy
1	Niskoprofilowy zaczepek obrotowy (PMLN8121)
2	Osłona przeciwkurzowa 10 szt. / paczka (PMLN8253)



1.2.1

## Montaż zaczepu obrotowego

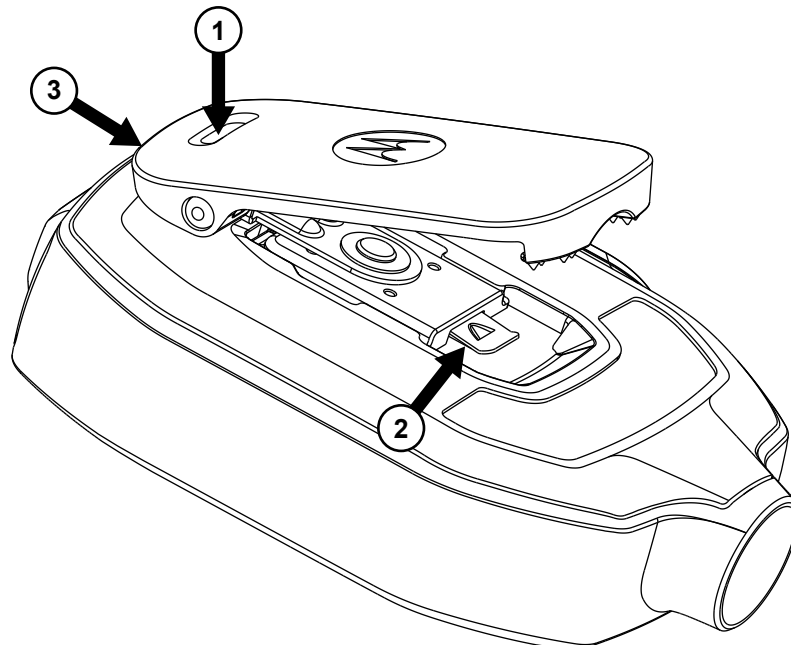


**Procedura:**

- 1 Wyrównaj dolny zatrzask zwalniający tak, aby był skierowany w dół.
- 2 Wciśnij górną część zaczepu.
- 3 Jednocześnie przesunąć zaczep w górę.

### 1.2.2

## Odłączanie zaczepu obrotowego

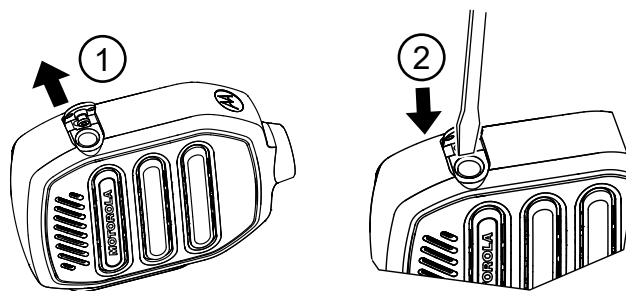


### Procedura:

- 1 Wciśnij górną część zaczepu, aby podnieść go do najwyższej pozycji.
- 2 Podnieś dolny zatrzask zwalniający.
- 3 Przesuń zaczep, aby go wyjąć.

### 1.2.3

## Zdejmowanie osłony przeciwkurzowej

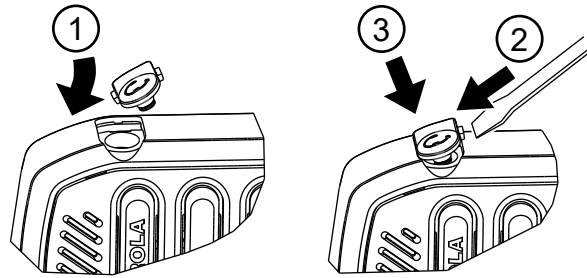


### Procedura:

- 1 Unieś osłonę przeciwkurzową do pełnego otwarcia.
- 2 Włóż małe narzędzie z płaską końcówką do zagłębienia i podważ osłonę przeciwkurzową.

1.2.4

## Wsuwanie osłony przeciwkurzowej



**Procedura:**

- 1 Przesuń boczną wypustkę osłony przeciwkurzowej do zagłębienia gniazda.
- 2 Przyciśnij przeciwną stronę przy użyciu małego narzędzia.
- 3 Jednocześnie wciśnij osłonę przeciwkurzową do zdalnego mikrofonogłośnika.

## Rozdział 2

# Instrukcje operacyjne

W tej sekcji znajdują się instrukcje dotyczące obsługi zdalnego mikrofonogłośnika.

### 2.1

## Montaż zdalnego mikrofonogłośnika do radiotelefonu

### Wymagania wstępne:

Wyłącz radiotelefon.



#### UWAGA:

Aby zapewnić poprawne działanie, wyłącz radiotelefon przed podłączeniem zdalnego mikrofonogłośnika. Podłączanie zdalnego mikrofonogłośnika powoduje wyłączenie głośnika radiotelefonu, ale nie wyłącza mikrofonu ani PTT.

### Procedura:

Zamontuj złącze zdalnego mikrofonogłośnika (RSM) do bocznego złącza radiotelefonu.

### 2.2

## Odlączenie zdalnego mikrofonogłośnika od radiotelefonu

### Wymagania wstępne:

Wyłącz radiotelefon.

### Kiedy i gdzie stosować:

### Procedura:

- 1 Odlóż złącze zdalnego mikrofonogłośnika (RSM) od złącza po stronie radiotelefonu.
- 2 Gdy dodatkowe akcesorium nie jest podłączone, w gnieździe audio powinna znajdować się osłona przeciwkurzowa.

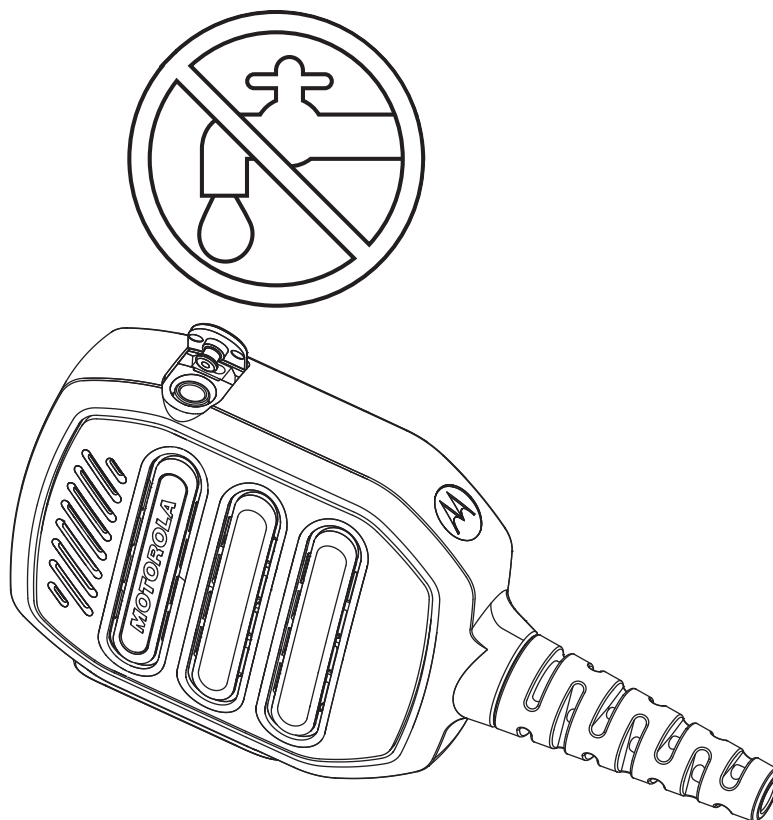
## Rozdział 3

# Zalecane praktyki

W tej sekcji znajdują się informacje o zalecanych praktykach dla zdalnych mikrofonogłośników (RSM).

### 3.1

## Dbanie o urządzenie

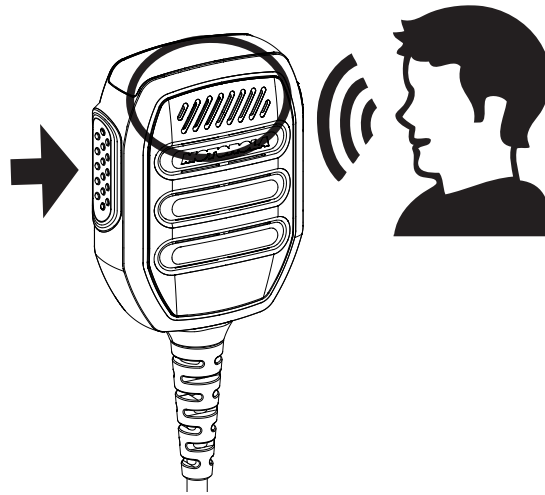


- Gdy słuchawka nie jest podłączona, zakrywaj gniazdo audio pokrywą przeciwkurzową. Nie wlewaj wody do gniazda audio.
- Jeśli do gniazda audio dostanie się woda, usuń ją, poprzez potrząsanie urządzeniem.

3.2

## Nadawanie i odbieranie

Rysunek 1: Nadawanie



Rysunek 2: Odbiór



### 3.3

## Zalecane pozycje noszenia zdalnych mikrofonogłośników

Rysunek 3: Zalecana pozycja noszenia



**UWAGA:**

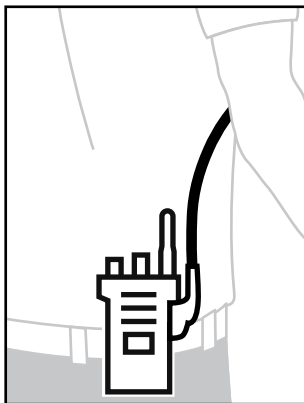
Aby zapewnić lepsze działanie, noś zdalny mikrofonogłośnik i urządzenie po tej samej stronie.

### 3.4

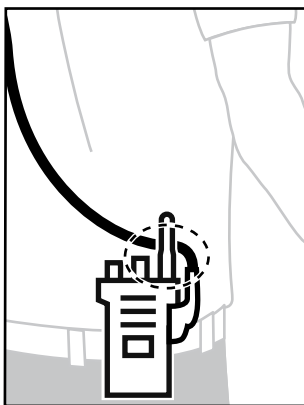
## Prowadzenie kabla

W tej części opisano zalecane ułożenie kabla.

Rysunek 4: Zalecane



**Rysunek 5: Niezalecane**



W celu zapewnienia optymalnego zasięgu i komfortu użytkowania zaleca się unikać krzyżowania kabla akcesorium z anteną radiową.





# **Руководство пользователя выносного модуля тангенты RM110 с аудиоразъемом 3,5 мм (IP55) (PMMN4148)**

**2023 Г. МАРТ**

© 2023 Motorola Solutions, Inc. All rights reserved



MN009681A01-AA

# Сведения о технике безопасности и юридическая информация

В этом разделе приведены сведения о технике безопасности и юридическая информация о данном продукте.

## Примечания об интеллектуальной собственности и нормативных требованиях

### Авторские права

Описанные в этом документе продукты Motorola Solutions могут включать в себя защищенные авторским правом компьютерные программы Motorola Solutions. Законы США и некоторых других стран обеспечивают определенные эксклюзивные права компании Motorola Solutions в отношении защищенных авторским правом компьютерных программ. В связи с этим любые защищенные авторским правом компьютерные программы Motorola Solutions, содержащиеся в продуктах Motorola Solutions, которые описаны в настоящем документе, запрещается копировать или воспроизводить каким бы то ни было способом без явного письменного разрешения Motorola Solutions.

Запрещается воспроизведение, передача, хранение в поисковых системах или перевод на любой язык, в том числе машинный, любой части настоящего документа в любой форме, любыми средствами и для любых целей без предварительного письменного разрешения Motorola Solutions, Inc.

### Товарные знаки

MOTOROLA, MOTO, MOTOROLA SOLUTIONS и логотип в виде стилизованной буквы М являются товарными знаками или зарегистрированными товарными знаками Motorola Trademark Holdings, LLC и используются по лицензии. Все прочие товарные знаки являются собственностью соответствующих владельцев.

### Права на лицензию

Приобретение продуктов Motorola Solutions не приводит прямо, косвенно, процессуально или каким-либо иным образом к предоставлению какой-либо лицензии в отношении авторских прав, патентов или заявок на патенты Motorola Solutions, за исключением обычной неисключительной лицензии на использование без уплаты роялти, которая возникает по закону при продаже продукта.

### Продукт с открытым исходным кодом

Данный продукт может содержать ПО с открытым исходным кодом, используемое по лицензии. Полную информацию о правовых положениях и авторских правах на ПО с открытым исходным кодом можно найти на установочном носителе продукта.

### Директива по утилизации электрического и электронного оборудования (WEEE) Европейского союза (ЕС) и Великобритании



В соответствии с директивой WEEE Европейского союза и директивой WEEE Великобритании продукция, поступающая в страны ЕС и Великобританию, должна иметь

ярлык со значком перечеркнутой мусорной корзины на изделии (в некоторых случаях — на упаковке). Согласно директиве WEEE такой ярлык со значком перечеркнутой мусорной корзины означает, что клиенты и конечные пользователи в странах ЕС и Великобритании не должны выбрасывать электронное и электрическое оборудование или аксессуары к нему вместе с бытовыми отходами.

Клиенты или конечные пользователи в странах ЕС и Великобритании должны обратиться в местное представительство поставщика оборудования или в центр обслуживания, чтобы получить информацию о пунктах переработки в соответствующей стране.

### **Отказ от ответственности**

Обратите внимание, что определенные функции, оборудование и возможности, описанные в настоящем документе, могут не подходить или не быть лицензированы для использования в определенных системах, а также могут зависеть от характеристик определенного мобильного абонентского терминала или конфигурации определенных параметров. Обратитесь к представителю компании Motorola Solutions для получения дополнительной информации.

© 2023 Motorola Solutions, Inc. Все права защищены.

## **Руководство по технике безопасности для продукта и сведения о воздействии излучаемой радиочастотной энергии для портативных приемопередающих радиостанций**

### **ВНИМАНИЕ:**

Прежде чем использовать данный аксессуар, ознакомьтесь с этим руководством, в котором содержатся важные инструкции по безопасной эксплуатации, а также информация по воздействию радиочастотной энергии и контролю соответствия применимым стандартам и нормативным требованиям.

Выносной модуль тангенты (RSM), подключенный к радиостанции, предназначен только для профессиональной эксплуатации. Только при этом условии будет обеспечено соблюдение требований FCC/ICNIRP в отношении воздействия излучаемой радиочастотной энергии. Перед началом использования данного продукта ознакомьтесь с информацией о воздействии радиочастотной энергии, а также с инструкциями по эксплуатации, приведенными в буклете по технике безопасности для продукта и воздействию излучаемой радиочастотной энергии, прилагаемом к радиостанции, для соблюдения ограничений по воздействию радиочастотного излучения.

## **Акустическая безопасность**

Продолжительное воздействие звука с высоким уровнем громкости из любого источника может привести к временному или постоянному повреждению слуха. Чем выше громкость радиостанции, тем быстрее можно повредить слух. Повреждение слуха из-за высокого уровня громкости может быть замечено не сразу и иметь накопительный эффект. Для защиты слуха соблюдайте следующие меры предосторожности.

- Используйте минимальный уровень громкости, достаточный для выполнения требуемой задачи.
- Увеличивайте уровень громкости, только если вы находитесь в шумной окружающей обстановке.
- Снижайте громкость перед подключением гарнитуры или микронаушника.
- Ограничьте время использования гарнитур или микронаушников при высоком уровне громкости.

- При использовании радиостанции без гарнитуры или микронаушника не прикладывайте динамик радиостанции непосредственно к уху.
- Если вы испытываете дискомфорт при использовании гарнитуры, слышите звон в ушах или звук в динамиках кажется приглушенным, необходимо прекратить использование гарнитуры или микронаушника и обратиться к врачу для проверки слуха.

## Обслуживание и гарантия

Компания Motorola Solutions предоставляет гарантию на выносной модуль тангенты. Чтобы получить подробную информацию, свяжитесь с дилером Motorola Solutions или обратитесь по месту покупки.



**ПРИМЕЧАНИЕ:**

Действие гарантии прекращается в случае замены клиентом любой детали, не указанной в списке запасных компонентов.

## Сертификационная маркировка



## Контактный адрес

**Адрес для обращений в ЕС**

Motorola Solutions,  
Czerwone Maki 82,  
30-392 Krakow, Poland

**Адрес для обращений в Великобритании**

Motorola Solutions UK Ltd.,  
Nova South, 160 Victoria Street,  
London, SW1E 5LB,  
United Kingdom

## Свяжитесь с нами

Служба централизованного предоставления управляемых услуг и поддержки (CMSO) — это основной контакт для получения технической поддержки, указанный в соглашении об обслуживании, заключенном между вашей организацией и Motorola Solutions.

Клиенты, заключившие соглашение об обслуживании, должны обязательно обращаться в службу CMSO во всех ситуациях, перечисленных в разделе "Обязанности клиента" в соглашении, например:

- для подтверждения результатов поиска и устранения неисправностей и анализа ситуации перед принятием мер.

Вашей организации были переданы номера телефонов службы поддержки и другая контактная информация для вашего региона, а также соглашение об обслуживании. Используйте эту контактную информацию для наиболее эффективного решения проблем. Однако при необходимости вы также можете найти общую контактную информацию службы поддержки на веб-сайте Motorola Solutions, выполнив следующие действия:

- 1 В браузере введите [motorolasolutions.com](https://motorolasolutions.com).
- 2 Убедитесь, что отображается страница для страны или региона, в котором расположена ваша организация. Чтобы изменить регион, нажмите на его название или коснитесь его.
- 3 На странице [motorolasolutions.com](https://motorolasolutions.com) выберите "Поддержка".

### Комментарии

Вопросы и комментарии относительно пользовательской документации направляйте по следующему адресу электронной почты: [documentation@motorolasolutions.com](mailto:documentation@motorolasolutions.com).

Чтобы сообщить об ошибке в документации, необходимо предоставить следующую информацию:

- название документа и номер детали по каталогу;
- номер страницы или заголовок раздела с ошибкой;
- описание ошибки.

Motorola Solutions предлагает различные обучающие курсы, разработанные специально для помощи пользователям в освоении системы. Для получения более подробной информации и ознакомления с обзором текущих курсов и решениями для внедрения новых технологий перейдите по следующему адресу: <https://learning.motorolasolutions.com>.

# Условные обозначения: значки

Настоящий комплект документации разработан таким образом, чтобы предоставить пользователю максимальное количество наглядных подсказок. В комплекте документации используются следующие графические значки.



**ОПАСНОСТЬ:**

Сигнальное слово "ОПАСНОСТЬ" с соответствующим значком безопасности указывает на информацию, игнорирование которой может привести к летальному исходу или получению тяжелых травм.



**ПРЕДУПРЕЖДЕНИЕ:**

Сигнальное слово "ПРЕДУПРЕЖДЕНИЕ" с соответствующим значком безопасности указывает на информацию, игнорирование которой может привести к летальному исходу, получению тяжелых травм или серьезному повреждению продукта.



**ВНИМАНИЕ:**

Сигнальное слово "ВНИМАНИЕ" с соответствующим значком безопасности указывает на информацию, игнорирование которой может привести к получению незначительных травм, травм средней тяжести или серьезному повреждению продукта.

**ВНИМАНИЕ:**

Сигнальное слово "ВНИМАНИЕ" может использоваться без значка безопасности, и в таком случае оно будет указывать на возможное повреждение или получение травмы, которые не связаны с продуктом.



**ВАЖНО:**

Комментарии с пометкой "ВАЖНО" содержат информацию, которая крайне важна для рассматриваемой темы, но не относится к категориям "ВНИМАНИЕ" или "ПРЕДУПРЕЖДЕНИЕ". Комментарии с пометкой "ВАЖНО" не связаны с какими-либо уровнями предупреждения.




**ПРИМЕЧАНИЕ:**

"ПРИМЕЧАНИЕ" содержит более важную информацию по сравнению с находящимся рядом текстом, например исключения или обязательные условия. Кроме того, примечания содержат ссылки на дополнительную информацию, напоминания о порядке выполнения действий (например, если они не входят в описание текущей процедуры) или сведения о местонахождении каких-либо элементов на экране. Примечания не связаны с какими-либо уровнями предупреждения.

# Условные обозначения: оформление

Используются следующие варианты оформления в качестве условных обозначений:

Условное обозначение	Описание
<b>Жирный</b>	Этот шрифт используется для названий, например окон, кнопок и меток, когда эти названия появляются на экране (например: "окно <b>Средство просмотра оповещений</b> "). Если из контекста понятно, что имеется в виду, например кнопка, название используется отдельно (например: "нажмите <b>ОК</b> ").
Monospacing font in bold	Этот шрифт используется для слов, которые необходимо ввести точно так, как они указаны в тексте (например: "в поле <b>Адрес</b> введите <code>http://ucs01.ucs:9080/</code> ").
Моноширинный шрифт	Этот шрифт используется для сообщений, запросов и другого текста, отображаемого на экране компьютера (например: "Добавлен новый пункт назначения ловушки").
<i>&lt;Моноширинный шрифт, выделенный жирным курсивом&gt;</i>	Этот шрифт используется с угловыми скобками в качестве заполнителей для определенного члена группы, который обозначается словами (например <i>&lt;номер маршрутизатора&gt;</i> ).   <b>ПРИМЕЧАНИЕ:</b> В последовательностях, которые необходимо ввести, угловые скобки опускаются, чтобы избежать путаницы с включением угловых скобок в текст для ввода.
<b>ЗАГЛАВНЫЕ БУКВЫ</b>	Этот шрифт используется для обозначения клавиш клавиатуры (например: "нажмите <b>Y</b> , а затем нажмите <b>ENTER</b> ").
<i>Курсив</i>	Этот шрифт используется для цитирования. Цитата обычно является названием документа или фразой из другого документа (например: " <i>Общие сведения о системе Dimetra IP</i> ").
→	Значок → (стрелка, указывающая вправо) используется для указания структуры меню или вкладки в инструкциях по выбору определенного пункта меню (например: <b>File</b> → <b>Save</b> ) или вложенной вкладки меню.

# Содержание

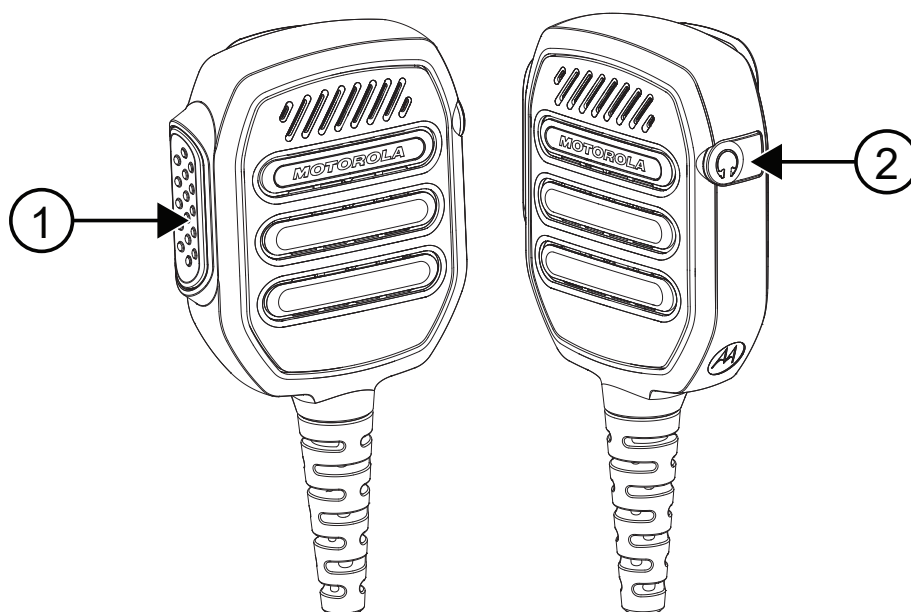
<b>Сведения о технике безопасности и юридическая информация.....</b>	<b>2</b>
Примечания об интеллектуальной собственности и нормативных требованиях.....	2
Руководство по технике безопасности для продукта и сведения о воздействии излучаемой радиочастотной энергии для портативных приемопередающих радиостанций.....	3
Акустическая безопасность.....	3
Обслуживание и гарантия.....	4
Сертификационная маркировка.....	4
Контактный адрес.....	4
<b>Свяжитесь с нами.....</b>	<b>5</b>
<b>Условные обозначения: значки.....</b>	<b>6</b>
<b>Условные обозначения: оформление.....</b>	<b>7</b>
<b>Глава 1. Обзор продукта.....</b>	<b>9</b>
1.1 Совместимые дополнительные аудиоаксессуары.....	9
1.2 Запасные компоненты.....	10
1.2.1 Установка поворотного зажима.....	11
1.2.2 Отсоединение поворотного зажима.....	12
1.2.3 Снятие пылезащитной крышки.....	12
1.2.4 Установка пылезащитной крышки.....	13
<b>Глава 2. Инструкции по эксплуатации.....</b>	<b>14</b>
2.1 Подключение выносного модуля тангенты к радиостанции.....	14
2.2 Отключение выносного модуля тангенты от радиостанции.....	14
<b>Глава 3. Рекомендуемые методы работы.....</b>	<b>15</b>
3.1 Общие меры предосторожности.....	15
3.2 Передача и прием.....	16
3.3 Рекомендуемые способы ношения выносного модуля тангенты.....	17
3.4 Укладка кабеля.....	17



## Глава 1

# Обзор продукта

В этом руководстве пользователя приведено описание выносного модуля тангенты RM110 с аудиоразъемом 3,5 мм (IP55) (PMMN4148).



Номер	Описание
1	Кнопка PTT (Push-to-Talk)
2	Аудиоразъем 3,5 мм (без резьбы) только для приема, оснащенный пылезащитной крышкой

### 1.1

## Совместимые дополнительные аудиоаксессуары

Номер	Описания
PMLN8120	Микронаушник только для приема с прозрачной трубкой, xL, разъем 3,5 мм

1.2

## Запасные компоненты

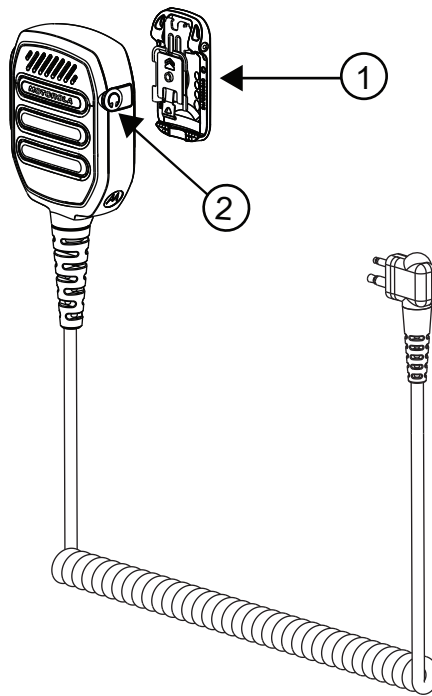
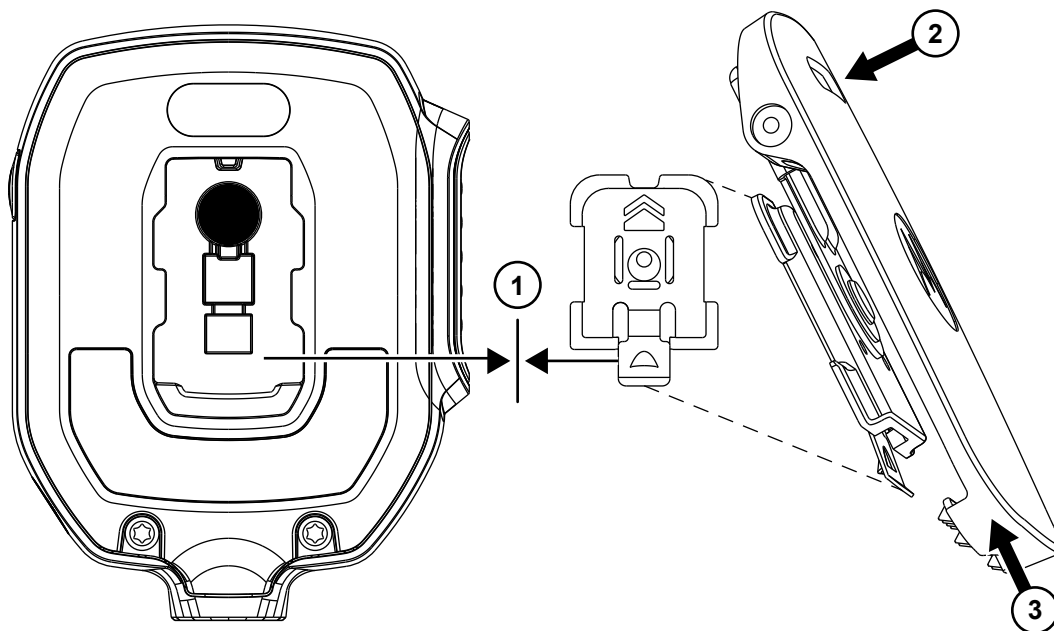


Табл. 1. Выноски для запасных компонентов

Номер	Описания
1	Низкопрофильный поворотный зажим (PMLN8121)
2	Пылезащитная крышка, 10 шт. в упаковке (PMLN8253)

1.2.1

## Установка поворотного зажима

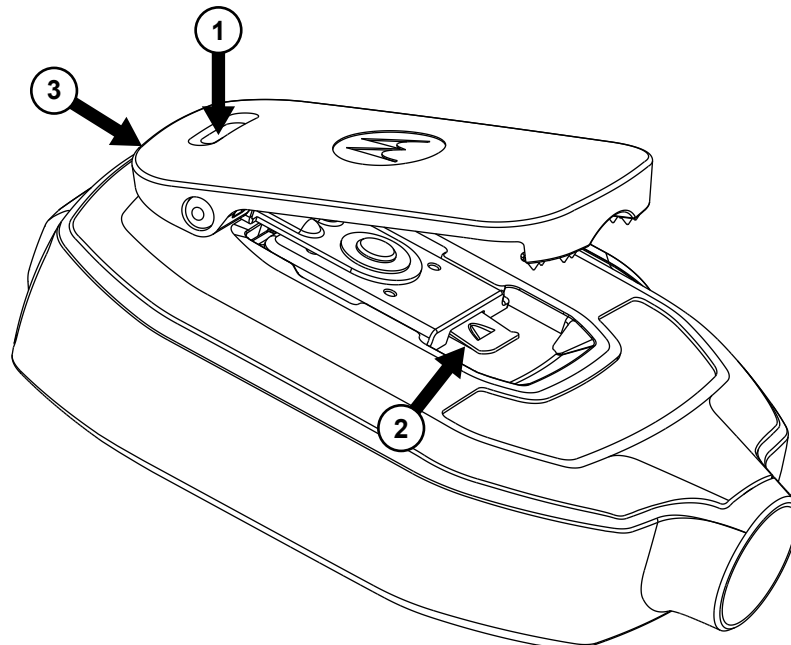


**Процедура:**

- 1 Приложите нижний фиксатор так, чтобы он располагался снизу.
- 2 Нажмите на верхнюю часть зажима.
- 3 Одновременно сдвиньте зажим вверх.

### 1.2.2

## Отсоединение поворотного зажима

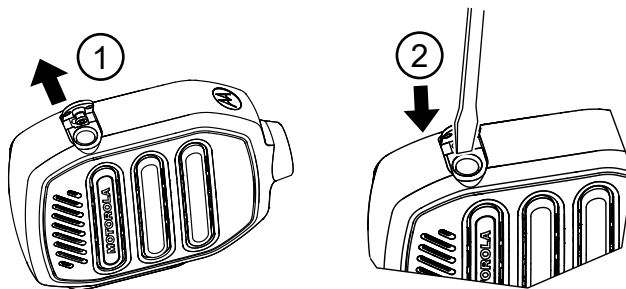


### Процедура:

- 1 Нажмите на верхнюю часть зажима, чтобы поднять его в максимально высокое положение.
- 2 Поднимите нижний фиксатор.
- 3 Сдвиньте зажим, чтобы его снять.

### 1.2.3

## Снятие пылезащитной крышки

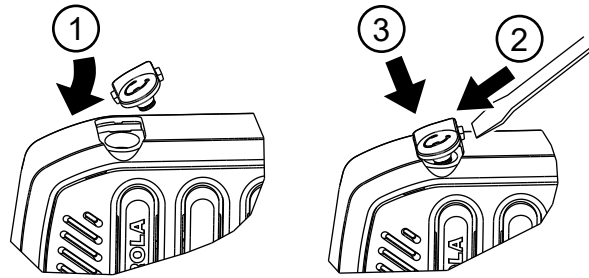


### Процедура:

- 1 Поднимите пылезащитную крышку до конца.
- 2 Вставьте небольшой инструмент с плоским жалом в углубление и извлеките пылезащитную крышку.

#### 1.2.4

### Установка пылезащитной крышки



#### Процедура:

- 1 Сдвиньте боковую защелку пылезащитной крышки в углубление.
- 2 Нажмите на противоположную сторону с помощью небольшого инструмента.
- 3 Одновременно надавите на пылезащитную крышку, чтобы вставить ее в корпус выносного модуля тангенты.

## Глава 2

# Инструкции по эксплуатации

В этом разделе приведены рекомендации по использованию выносного модуля тангенты.

## 2.1

### Подключение выносного модуля тангенты к радиостанции

#### Предварительные требования.

Выключите радиостанцию.



#### **ПРИМЕЧАНИЕ:**

Для обеспечения правильной работы выключите радиостанцию перед подключением выносного модуля тангенты к радиостанции. При подключении выносного модуля тангенты к радиостанции отключается динамик радиостанции, при этом микрофон и РТТ радиостанции продолжают работать.

#### Процедура:

Подсоедините разъем выносного модуля тангенты (RSM; Remote Speaker Microphone) к боковому разъему радиостанции.

## 2.2

### Отключение выносного модуля тангенты от радиостанции

#### Предварительные требования.

Выключите радиостанцию.

#### Когда и где использовать.

#### Процедура:

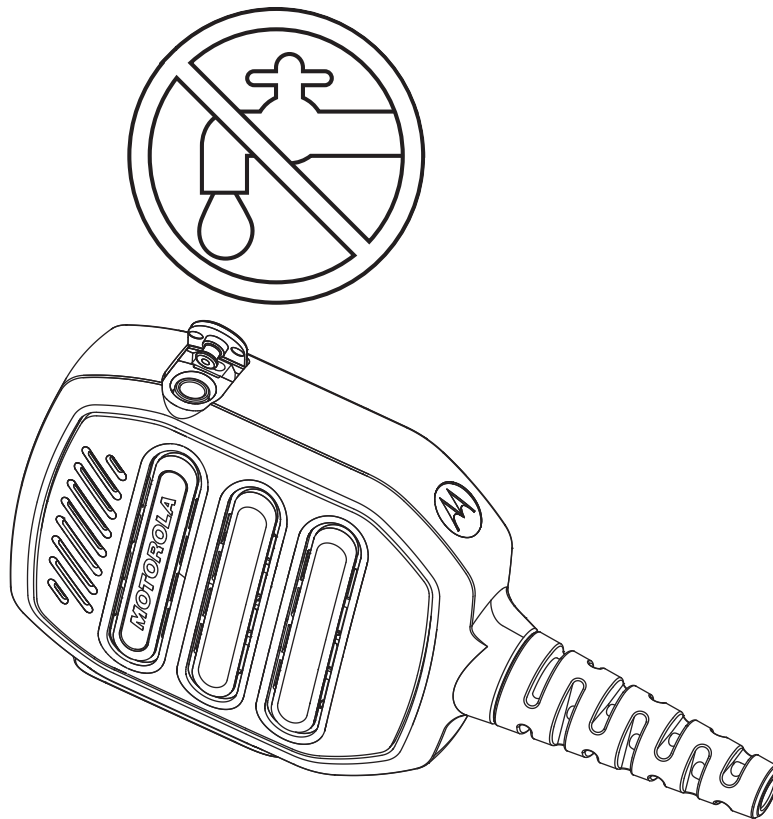
- 1 Отсоедините разъем выносного модуля тангенты (RSM) от бокового разъема радиостанции.
- 2 В аудиоразъеме выносного модуля тангенты должна быть установлена пылезащитная заглушка, когда дополнительный аксессуар не используется.

## Рекомендуемые методы работы

В этом разделе приведена информация о рекомендуемых методах работы с выносным модулем тангенты (RSM).

### 3.1

#### Общие меры предосторожности



- Когда аудиоразъем не используется для подключения микронаушника, закрывайте его пылезащитной крышкой. Не допускайте попадания воды в аудиоразъем.
- Если в аудиоразъем попала вода, потрясите выносной модуль тангенты.

3.2

## Передача и прием

Рис. 1. Передача

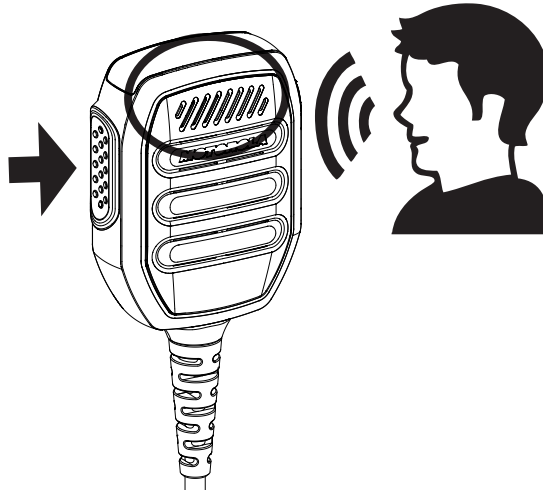


Рис. 2. Прием





3.3

## Рекомендуемые способы ношения выносного модуля тангенты

Рис. 3. Рекомендуемый способ ношения



**ПРИМЕЧАНИЕ:**

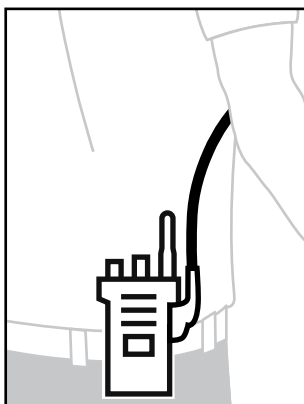
Для повышения стабильности работы носите выносной модуль тангенты и устройство с одной стороны.

3.4

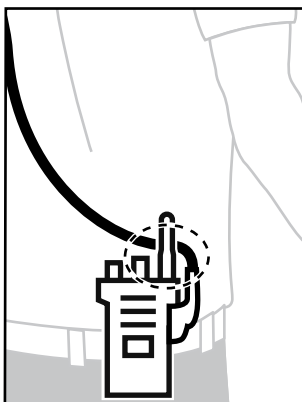
## Укладка кабеля

В этом разделе приведено описание рекомендуемого расположения кабеля.

Рис. 4. Рекомендуется



**Рис. 5. Не рекомендуется**



Для обеспечения оптимального радиуса действия и удобства работы рекомендуется избегать ситуаций, в которых кабель для подключения аксессуара пересекается с антенной радиостанции.



# **PMMN4148 RM110 3,5 mm Ses Jaki Bulunan Uzak Hoparlör Mikrofonu (IP55) Kullanım Kılavuzu**

**MART 2023**

© 2023 Motorola Solutions, Inc. All rights reserved



**MN009681A01-AA**

# Güvenlik Bilgileri ve Yasal Bilgiler

Bu bölümde, bu ürün için güvenlik bilgileri ve yasal bilgiler verilmektedir.

## Fikri Mülkiyet ve Mevzuat Bildirimleri

### Telif Hakları

Bu belgede açıklanan Motorola Solutions ürünleri, telif hakkıyla korunan Motorola Solutions bilgisayar programlarını içerebilir. Amerika Birleşik Devletleri ve diğer ülkelerdeki yasalar, telif hakkıyla korunan bilgisayar programları için Motorola Solutions'ın belirli münhasır haklarını koruma altına alır. Buna göre, bu belgede açıklanan Motorola Solutions ürünlerinde yer alan ve telif hakkıyla korunan hiçbir Motorola Solutions bilgisayar programı, Motorola Solutions'ın açık yazılı izni alınmadan hiçbir şekilde kopyalanamaz veya çoğaltılamaz.

Bu belgenin hiçbir bölümü; Motorola Solutions, Inc. şirketinin önceden yazılı izni alınmadan hiçbir biçimde ve hiçbir yolla çoğaltılamaz, iletilemez, bir erişim sisteminde saklanamaz veya herhangi bir dile ya da program diline çevrilemez.

### Ticari Markalar

MOTOROLA, MOTO, MOTOROLA SOLUTIONS ve Stil Verilmiş M Logosu, Motorola Trademark Holdings, LLC'nin ticari markaları veya tescilli ticari markalarıdır ve lisans kapsamında kullanılmaktadır. Diğer tüm ticari markalar ilgili sahiplerinin mülkiyetindedir.

### Lisans Hakları

Motorola Solutions ürünlerinin satın alınması, bir ürünün satışında kanunların uygulanması gereği ortaya çıkan, münhasır olmayan telifsiz normal lisans dışında, Motorola Solutions'ın telif hakları, patentleri veya patent başvuruları uyarınca doğrudan ya da zımnen, önceden yapılan beyanın değiştirilmesinin yasaklanmasıyla veya başka bir şekilde herhangi bir ücretsiz lisans hakkı veriyormuş gibi kabul edilemez.

### Açık Kaynaklı İçerikler

Bu ürün, lisans kapsamında kullanılan Açık Kaynaklı yazılım içerebilir. Açık Kaynak Yasal Bildirimleri ve Özellikleri içeriğinin tamamı için ürün kurulum ortamına bakın.

### Avrupa Birliği (AB) ve Birleşik Krallık (BK) Atık Elektrikli ve Elektronik Ekipman (WEEE) Direktifi



Avrupa Birliği'nin WEEE direktifi ve Birleşik Krallık'ın WEEE düzenlemesi uyarınca Avrupa Birliği ülkelerine ve Birleşik Krallık'a satılan ürünlerin üstünde (veya bazı durumlarda paketin üstünde) üzeri çizili tekerlekli çöp kutusu etiketi bulunmak zorundadır. WEEE direktifinde tanımlandığı şekliyle bu üzeri çizili tekerlekli çöp kutusu etiketi, AB ve BK ülkelerindeki müşteri ve son kullanıcıların bu elektronik ve elektrikli ekipmanı veya aksesuarları evsel atık olarak atmaması gerektiği anlamına gelir.

AB ve BK ülkelerindeki müşteri veya son kullanıcılar, ülkelerindeki atık toplama sistemi hakkında bilgi almak için yerel ekipman tedarikçisi temsilcileriyle veya servis merkeziyle iletişime geçmelidir.

### Sorumluluk Reddi Beyanı

Bu belgede açıklanan belirli özellik, olanak ve kabiliyetlerin belirli bir sistem için geçerli olmayabileceğini, belirli bir sistemde kullanım için lisanslı olmayabileceğini ya da belirli parametre

yapılandırması veya belirli mobil abonelik birimlerine bağlı olabileceğini unutmayın. Daha fazla bilgi için lütfen Motorola Solutions sorumlunuza danışın.

© 2023 Motorola Solutions, Inc. Tüm Hakları Saklıdır

## Çift Yönlü Portatif Telsizler için RF Enerjisine Maruz Kalma ve Ürün Güvenlik Kılavuzu

### DİKKAT:

Bu aksesuarı kullanmadan önce, yürürlükteki standartlar ve yönetmelikler uyarınca güvenli kullanım ile RF enerjisi farkındalığı ve kontrolü açısından önem arz eden kullanım talimatlarını içeren bu kılavuzu okuyun.

Uzak Hoparlör Mikrofonu (RSM) telsize takıldığında FCC/ICNIRP RF enerjisine maruz kalma gerekliliklerine uyulması için yalnızca mesleki kullanımla sınırlıdır. Bu ürünü kullanmadan önce, RF (Radyo Frekansı) enerjisine maruz kalma limitleri ile uyum sağlamak için telsizinize gelen Ürün Güvenliği ve RF (Radyo Frekansı) Enerjisine Maruz Kalma kitapçığında yer alan RF (Radyo Frekansı) enerjisi bilinci bilgi ve kullanım talimatlarını okuyun.

## Akustik Güvenlik

Herhangi bir kaynaktan gelen yüksek düzeyde sese uzun bir süre boyunca maruz kalmak, işitme duyurunuzu geçici veya kalıcı olarak etkileyebilir. Telsizinizin ses düzeyi ne kadar yüksek olursa işitme duyurunuzun etkilenme hızı o kadar düşer. Yüksek düzeyde sesin neden olduğu işitme hasarı başta fark edilmeyebilir ve gittikçe artan bir etkisi olabilir. İşitme duyurunuzu korumak için:

- İşinizi yapmanız için gereken en düşük ses düzeyini kullanın.
- Sadece gürültülü bir ortadaysanız ses düzeyini artırın.
- Kulaklık veya kulak içi kulaklık eklemeyen önce ses düzeyini azaltın.
- Kulaklıkları veya kulak içi kulaklıkları yüksek ses düzeyinde kullandığınız süreyi sınırlandırın.
- Telsizi bir kulaklık ya da kulak içi kulaklık olmadan kullanırken telsizin hoparlörünü doğrudan kulağınıza götürmeyin.
- İşitme sorunu, kulak çınlaması veya konuşmaların boğuk duyulması gibi bir rahatsızlık yaşıyorsanız telsizinizi kulaklıklarınız veya kulak içi kulaklıklarınızla dinlemeyi bırakmanız ve işitme durumunuzla ilgili olarak bir doktora görünmeniz gerekir.

## Servis ve Garanti

Motorola Solutions, RSM'niz için garanti sunar. Ayrıntılı bilgi için Motorola Solutions bayinize veya ürünü satın aldığınız yere başvurun.



### NOT:

Müşterinin listelenen yedek parçalar dışındaki parçalarla değişim yapması halinde garanti geçersiz olur.

## Sertifika İşaretleri



## İletişim Adresi

### **Avrupa Birliği İletişim**

Motorola Solutions,  
Czerwone Maki 82,  
30-392 Krakow, Polonya

### **Birleşik Krallık İletişim**

Motorola Solutions UK Ltd.,  
Nova South, 160 Victoria Street,  
Londra, SW1E 5LB,  
Birleşik Krallık

# Bize Ulařın

Merkezi Yönetilen Destek Operasyonları (CMSO), kuruluşunuzun Motorola Solutions ile yapmış olduđu hizmet sözleşmesine dahil olan teknik destek için ilk iletişime geçeceđiniz yerdir.

Hizmet sözleşmesi müşterileri, sözleşmelerindeki Müşteri Sorumlulukları bölümü altında listelenen tüm durumlarda mutlaka CMSO'yu aramalldır. Bu durumlara örnek olarak řunlar verilebilir:

- İşlem yapmadan önce sorun giderme sonuçlarını ve analizini onaylamak için

Cođrafi bölgenize ve hizmet sözleşmenize uygun olarak destek telefon numaraları ve diđer iletişim bilgileri kuruluşunuza sağlanmıştır. En etkili yanıt için bu iletişim bilgilerini kullanın. Ancak ihtiyaç halinde ařađıdaki adımları uygulayarak Motorola Solutions web sitesinde genel destek iletişim bilgilerini de bulabilirsiniz:

- 1 Tarayıcınıza [motorolasolutions.com](http://motorolasolutions.com) adresini girin.
- 2 Sayfada kuruluşunuzun ülkesinin veya bölgesinin görüntülediđinden emin olun. Bölgenin adına tıkladıđınızda veya dokunduđunuzda bölgeyi deđiřtirmek için bir seçenek sunulur.
- 3 [motorolasolutions.com](http://motorolasolutions.com) sayfasında "Destek" öđesini seçin.

## Yorumlar

Kullanıcı belgeleriyle ilgili sorularınızı ve yorumlarınızı [documentation@motorolasolutions.com](mailto:documentation@motorolasolutions.com) adresine gönderin.

Belgelerde hata olduđunu bildirirken ařađıdaki bilgileri sağlayın:

- Belge başlıđı ve parça numarası
- Hatalı bölümün sayfa numarası veya başlıđı
- Hatanın açıklaması

Motorola Solutions, sistem hakkında bilgi edinmenize yardımcı olmak üzere tasarlanmış çeřitli kurslar sunar. Bilgi edinmek için <https://learning.motorolasolutions.com> adresine giderek mevcut kurs tekliflerini ve teknoloji yollarını görüntüleyebilirsiniz.

# Simge Kuralları

Belge seti, okuyuculara daha fazla görsel ipucu sağlayacak şekilde tasarlanmıştır. Bu belge seti genelinde aşağıdaki grafik simgeler kullanılmıştır.



**TEHLİKE:**

İlgili güvenlik simgesiyle birlikte verilen TEHLİKE sinyal sözcüğü, göz ardı edildiğinde ölümler veya ciddi yaralanmayla sonuçlanacak bilgileri belirtir.



**UYARI:**

İlgili güvenlik simgesiyle birlikte verilen UYARI sinyal sözcüğü, göz ardı edildiğinde ölümler veya ciddi yaralanmayla ya da ürünün ciddi şekilde hasar görmesiyle sonuçlanabilecek bilgileri belirtir.



**DİKKAT:**

İlgili güvenlik simgesiyle birlikte verilen DİKKAT sinyal sözcüğü, göz ardı edildiğinde küçük veya orta derecede yaralanmayla ya da ürünün ciddi şekilde hasar görmesiyle sonuçlanabilecek bilgileri belirtir.

**DİKKAT:**

DİKKAT sinyal sözcüğü, ürünle ilgili olmayan olası hasar veya yaralanmaları belirtmek için güvenlik simgesi olmadan kullanılabilir.



**ÖNEMLİ:**

ÖNEMLİ ifadeler, mevcut konu için önemli olan ancak DİKKAT veya UYARI kadar ciddi olmayan bilgiler içerir. ÖNEMLİ ifadelerle ilişkilendirilmiş uyarı seviyesi yoktur.




**NOT:**

BİLDİRİM, istisnalar veya ön koşullar gibi, çevresindeki metinlerden daha önemli bilgiler içerir. Bu ibareler aynı zamanda kullanıcıları ek bilgiler için başka bölümlere yönlendirir, bir işlemin (ör. mevcut prosedüre dahil olmayan bir işlem) nasıl tamamlanacağını hatırlatır veya bir öğenin ekranın hangi kısmında bulunduğunu gösterir. Bildirim ile ilişkilendirilmiş uyarı seviyesi yoktur.



# Stil Kuralları

Aşağıdaki stil kuralları kullanılır:

Kural	Açıklama
<b>Kalın Font</b>	Bu yazı tipi; örneğin pencere, düğme ve etiket adları için, bu adlar ekranda görüntülediğinde kullanılır (örnek: <b>Alarm Tarayıcısı</b> penceresi). Örneğin bir düğmeden bahsettiğimiz açıkça anlaşılıyorsa ad tek başına kullanılır (örnek: <b>Tamam</b> 'a tıklayın).
Monospacing font in bold	Bu yazı tipi, sözcüklerin tam olarak metinde gösterildiği gibi yazılmasını sağlar (örnek: <b>Adres</b> alanına <code>http://ucs01.ucs:9080/ yazın</code> ).
Sabit aralıklı yazı tipi	Bu yazı tipi; bilgisayar ekranında görüntülenen mesajlar, istemler ve diğer metinler için kullanılır (örnek: Yeni bir tuzak hedefi eklendi).
<b>&lt;Koyu İtalik sabit aralıklı yazı tipi&gt;</b>	Bu yazı tipi, sözcüklerin temsil ettiği grubun belirli bir üyesi için yer tutucu olarak köşeli parantez ile kullanılır (örnek: <b>&lt;yönlendirici numarası&gt;</b> ).
	 <b>NOT:</b> Yazılacak dizilerde, köşeli parantezlerin yazılacak metne eklenip eklenmemesiyle ilgili karışıklığı önlemek için köşeli parantezler kullanılmaz.
<b>BÜYÜK HARFLER</b>	Bu yazı tipi klavye tuşları için kullanılır (örnek: Y tuşuna basın ve ardından ENTER tuşuna basın).
<i>İtalik</i>	Bu yazı tipi alıntılar için kullanılır. Alıntı, genellikle bir belgenin adı veya başka bir belgeden alınan sözcük grubudur (örnek: <i>Dimetra IP Sistemine Genel Bakış</i> ).
→	Belirli bir menü öğesinin nasıl seçileceğine ilişkin talimatlarda menü veya sekme yapısını belirtmek için bir → (sağa bakan ok) (örnek: <b>Dosya→Kaydet</b> ) veya belirli bir alt sekme kullanılır.

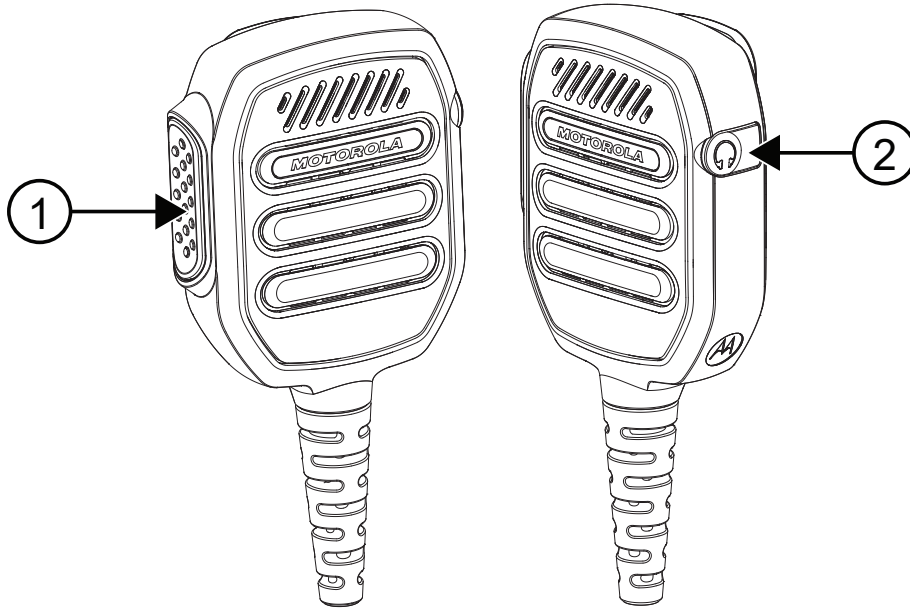
# İçindekiler

<b>Güvenlik Bilgileri ve Yasal Bilgiler.....</b>	<b>2</b>
Fikri Mülkiyet ve Mevzuat Bildirimleri.....	2
Çift Yönlü Portatif Telsizler için RF Enerjisine Maruz Kalma ve Ürün Güvenlik Kılavuzu.....	3
Akustik Güvenlik.....	3
Servis ve Garanti.....	3
Sertifika İşaretleri.....	3
İletişim Adresi.....	4
<b>Bize Ulaşın.....</b>	<b>5</b>
<b>Simge Kuralları.....</b>	<b>6</b>
<b>Stil Kuralları.....</b>	<b>7</b>
<b>Bölüm 1: Ürüne Genel Bakış.....</b>	<b>9</b>
1.1 Uyumlu İkincil Ses Aksesuarları.....	9
1.2 Yedek Parçalar.....	10
1.2.1 Döner Klipsin Takılması.....	11
1.2.2 Döner Klipsin Çıkarılması.....	12
1.2.3 Toz Kapağının Çıkarılması.....	12
1.2.4 Toz Kapağının Takılması.....	13
<b>Bölüm 2: Kullanım Talimatları.....</b>	<b>14</b>
2.1 RSM'nin Telsize Takılması.....	14
2.2 RSM'nin Telsizden Çıkarılması.....	14
<b>Bölüm 3: Önerilen Uygulamalar.....</b>	<b>15</b>
3.1 Genel Bakım.....	15
3.2 Yayın Yapma ve Alma.....	16
3.3 Önerilen RSM Takma Konumları.....	17
3.4 Kablo Yönetimi.....	17

## Bölüm 1

# Ürüne Genel Bakış

Bu kullanım kılavuzunda RM110 3,5 mm Ses Jakı Bulunan Uzak Hoparlör Mikrofonu (IP55), PMMN4148 açıklanmaktadır.



Numara	Açıklama
1	Bas Konuş Düğmesi
2	Salt alıcı 3,5 mm Ses Jakı (Dişsiz) Toz Kapağı ile kapatılmıştır

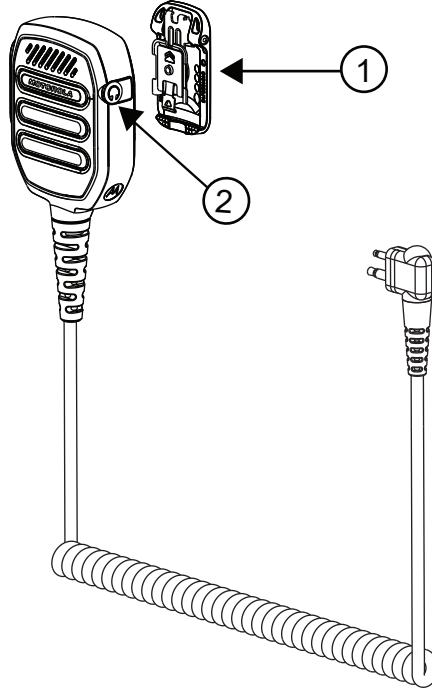
### 1.1

## Uyumlu İkincil Ses Aksesuarları

Hayır	Açıklamalar
PMLN8120	Sadece Rx xL Şeffaf İç Lastikli Kulaklık, 3,5 mm Jak

1.2

## Yedek Parçalar

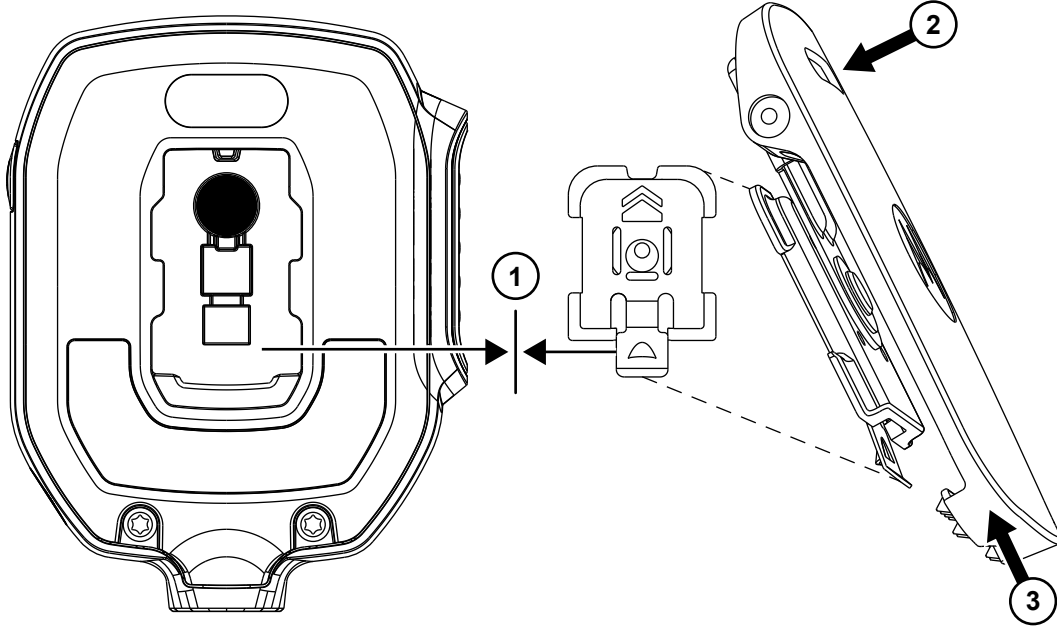


Tablo 1: Yedek Parçaların Açıklamaları

Hayır	Açıklamalar
1	Düşük Profilli Döner Klips (PMLN8121)
2	Toz Kapağı 10 parça/paket (PMLN8253)

1.2.1

## Döner Klipsin Takılması

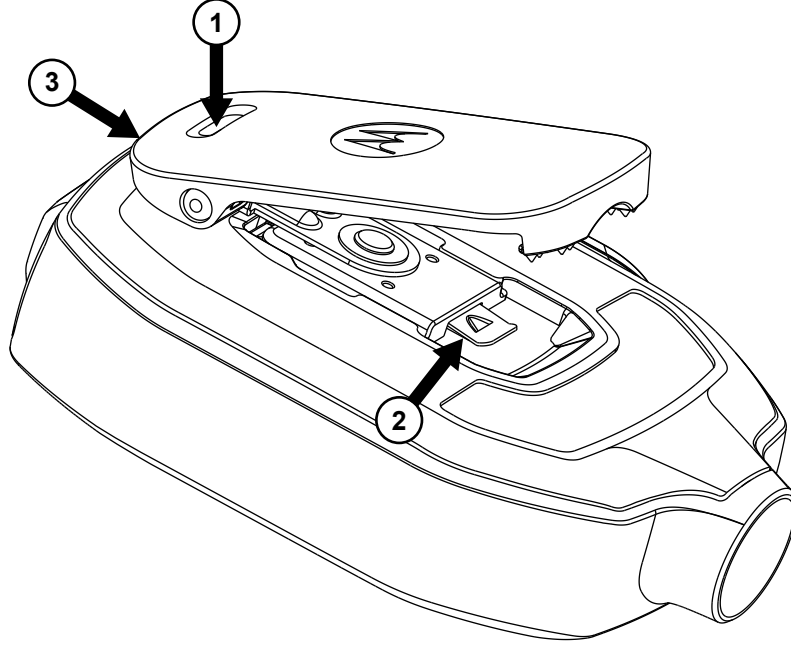


**Prosedür:**

- 1 Alt Serbest Bırakma Mandalını aşağı konuma gelecek şekilde hizalayın.
- 2 Klipsin üst kısmını aşağı doğru itin.
- 3 Aynı anda klipsi yukarı doğru kaydırın.

### 1.2.2

## Döner Klipsin Çıkarılması

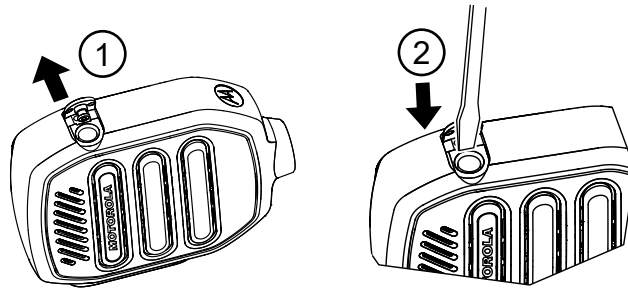


### Prosedür:

- 1 Klipsi en yüksek konuma kaldırmak için klipsin üst kısmına basın.
- 2 Alt serbest bırakma mandalını yukarı kaldırın.
- 3 Klipsi çıkarmak için klipsi kaydırın.

### 1.2.3

## Toz Kapağının Çıkarılması

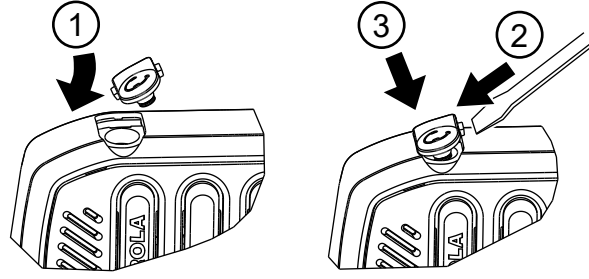


### Prosedür:

- 1 Toz kapağını tamamen açılana kadar kaldırın.
- 2 Küçük düz uçlu aleti girintiye yerleştirin ve toz kapağını çıkarın.

1.2.4

## Toz Kapağının Takılması



**Prosedür:**

- 1 Toz kapağının yan tırnağını yuva içine kaydırın.
- 2 Karşı tarafı küçük bir aletle itin.
- 3 Aynı anda Toz Kapağını RSM'ye itin.

## Bölüm 2

# Kullanım Talimatları

Bu bölümde, Uzak Hoparlör Mikrofonunuzun nasıl kullanılacağı ile ilgili yönergeler sağlanmaktadır.

### 2.1

## RSM'nin Telsize Takılması

#### Ön koşullar:

Telsizinizi kapatın.



#### NOT:

Düzgün çalıştırdığınızdan emin olmak için RSM'yi telsize bağlamadan önce telsizi kapatın. RSM'nin telsize bağlanması, telsizin hoparlörünü devre dışı bırakır ancak telsiz mikrofonunu ve PTT'sini devre dışı bırakmaz.

#### Prosedür:

Uzak Hoparlör Mikrofonu (RSM) konektörünü telsizin yan konektörüne takın.

### 2.2

## RSM'nin Telsizden Çıkarılması

#### Ön koşullar:

Telsizinizi kapatın.

#### Kullanım zamanı ve yeri:

#### Prosedür:

- 1 Uzak Hoparlör Mikrofonu (RSM) konektörünü telsiz tarafındaki konektörden ayırın.
- 2 İkincil bir aksesuar kullanılmadığında toz kapağını RSM'nin ses yakınına takılı tutun.



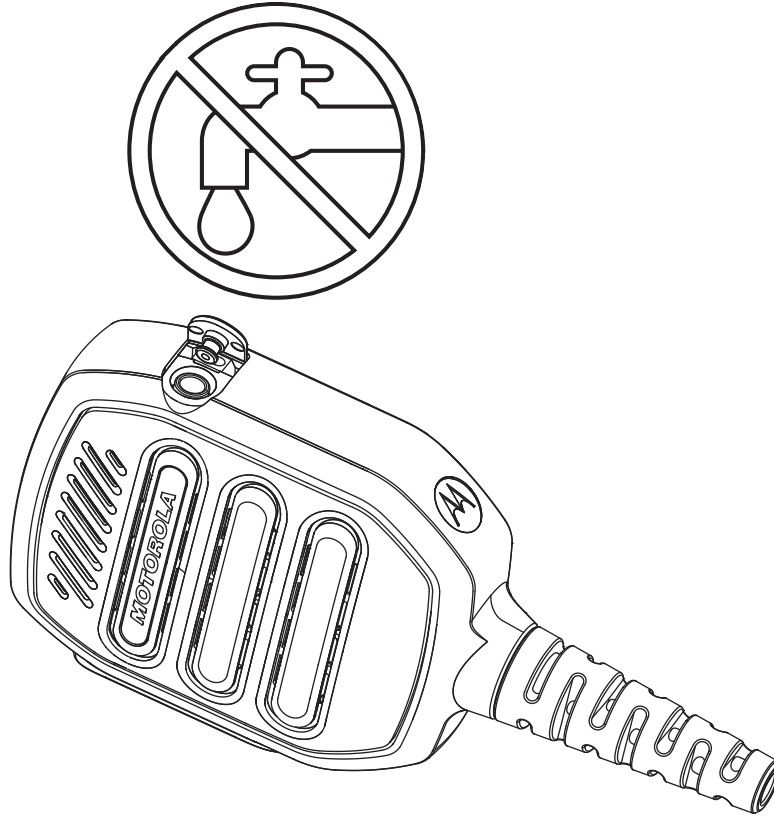
## Bölüm 3

# Önerilen Uygulamalar

Bu bölümde, Uzak Hoparlör Mikrofonu (RSM) için önerilen uygulamalar hakkında bilgi verilmektedir.

### 3.1

## Genel Bakım

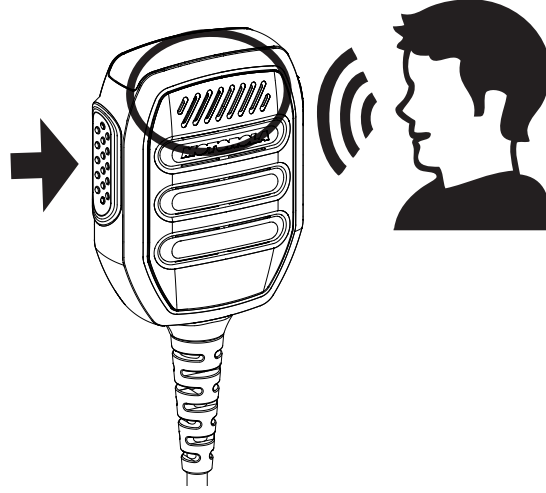


- Kulaklık takılı değilken ses jakını toz kapağıyla kapatın. Ses jakına su doldurmayın.
- Ses jakına su girerse RSM'yi sallayarak suyu çıkartın.

3.2

## Yayın Yapma ve Alma

Şekil 1: Yayın Yapma



Şekil 2: Yayın Alma



3.3

## Önerilen RSM Takma Konumları

Şekil 3: Önerilen Takma Konumu



**NOT:**

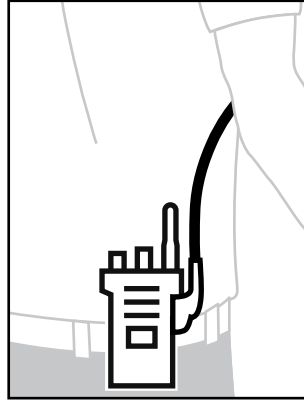
Daha iyi performans için RSM'yi ve cihazı aynı tarafa takın.

3.4

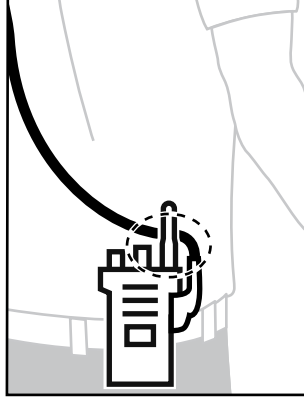
## Kablo Yönetimi

Bu bölümde, önerilen kablo konumu açıklanmaktadır.

Şekil 4: Önerilen



**Şekil 5: Önerilmeyen**



Optimum kullanım mesafesi ve kullanıcı deneyimi sağlamak için aksesuar kablosunun telsiz anteniyle kesişmesini önlemeniz önerilir.



# دليل مستخدم ميكروفون مكبر الصوت البعيد PMMN4148 RM110 مع مقيس صوت مقاس 3,5 مم (IP55)

مارس 2023

© 2023 Motorola Solutions, Inc. All rights reserved



MN009681A01-AA

# معلومات السلامة والمعلومات القانونية

يوفر هذا القسم معلومات السلامة والمعلومات القانونية الخاصة بهذا المنتج.

## الملكية الفكرية والإشعارات التنظيمية

### حقوق الطبع والنشر

قد تتضمن منتجات Motorola Solutions الموضحة في هذا المستند برامج كمبيوتر خاصة بشركة Motorola Solutions ومحمية بموجب حقوق الطبع والنشر. وتحفظ القوانين في الولايات المتحدة وبلدان أخرى لشركة Motorola Solutions حقوقاً حصرياً معينة في برامج الكمبيوتر المحمية بموجب حقوق الطبع والنشر. وبناءً عليه، لا يجوز نسخ أي برامج كمبيوتر خاصة بشركة Motorola Solutions ومحمية بموجب حقوق الطبع والنشر وتتضمنها منتجات Motorola Solutions الموضحة في هذا المستند أو إعادة إنتاجها بأي طريقة من دون الحصول على إذن كتابي صريح من شركة Motorola Solutions.

لا تجوز إعادة إنتاج أي جزء من هذا المستند أو إرساله أو تخزينه في نظام استرداد أو ترجمته إلى أي لغة أو لغة الكمبيوتر، بأي صورة أو أي طريقة، من دون الحصول على إذن كتابي سابق من شركة Motorola Solutions, Inc.

### العلامات التجارية

إن MOTOROLA وMOTO وMOTOROLA SOLUTIONS وشعار M النمطي هي علامات تجارية أو علامات تجارية مسجلة لشركة Motorola Trademark Holdings, LLC وتستخدم بموجب ترخيص. وكل العلامات التجارية الأخرى مملوكة لمالكها المعنيين.

### حقوق الترخيص

لا يُعد شراء منتجات Motorola Solutions بمنزلة منح مباشر أو ضمني، أو بالوقف أو غير ذلك، لأي ترخيص بموجب حقوق الطبع والنشر أو براءات الاختراع أو طلبات تسجيل براءات الاختراع الخاصة بشركة Motorola Solutions، باستثناء ترخيص الاستخدام العادي غير الحصري الخالي من رسوم حقوق المؤلف الذي ينشأ بموجب أعمال القانون في عملية بيع المنتج.

### المحتوى مفتوح المصدر

قد يحتوي هذا المنتج على برامج مفتوحة المصدر تُستخدم بموجب ترخيص. راجع وسائط تركيب المنتج للاطلاع على المحتوى الكامل للإسناد والإشعارات القانونية الخاصة بالمصدر المفتوح.

## توجيه الاتحاد الأوروبي (EU) والمملكة المتحدة (UK) بشأن نفايات الأجهزة الكهربائية والإلكترونية (WEEE)



يتطلب توجيه الاتحاد الأوروبي وكذلك لائحة المملكة المتحدة بشأن نفايات الأجهزة الكهربائية والإلكترونية (WEEE) أن تتضمن المنتجات المباعة في دول الاتحاد الأوروبي والمملكة المتحدة ملصقاً يحمل شكل صندوق نفايات بعجلة عليه علامة خطأ على المنتج نفسه (أو على العبوة في بعض الحالات). وطبقاً لما ينص عليه التوجيه الخاص بنفايات الأجهزة الكهربائية والإلكترونية (WEEE)، فإن هذا الملصق الذي يحمل شكل صندوق نفايات بعجلة عليه علامة خطأ يعني أنه يجب على العملاء والمستخدمين النهائيين في دول الاتحاد الأوروبي والمملكة المتحدة عدم التخلص من الأجهزة أو الملحقات الإلكترونية والكهربائية في النفايات المنزلية.

يجب على العملاء أو المستخدمين النهائيين في دول الاتحاد الأوروبي والمملكة المتحدة الاتصال بمندوب مورّد الأجهزة أو مركز الخدمة المحلي للحصول على معلومات عن نظام جمع النفايات في بلدانهم.

### إخلاء المسؤولية

يُرجى العلم أن ثمة ميزات ووسائل مساعدة وإمكانات معينة موضحة في هذا المستند قد لا تكون سارية أو مرخصة للاستخدام في نظام معين، أو ربما تعتمد على خصائص وحدة مشترك معينة خاصة بالأجهزة المحمولة أو تكوين معلّمت معينة. يُرجى الرجوع إلى جهة اتصال Motorola Solutions لديك لمزيد من المعلومات.

حقوق الطبع والنشر © 2023 لشركة Motorola Solutions, Inc. جميع الحقوق محفوظة

## دليل سلامة المنتج والتعرض لطاقة الترددات اللاسلكية لأجهزة الراديو اليدوية ثنائية الاتجاه

### تنبيه:

قبل استخدام هذا الملحق، اقرأ هذا الدليل الذي يتضمن تعليمات التشغيل المهمة للاستخدام الآمن وللتعريف بطاقة الترددات اللاسلكية والتحكم فيها للامتثال للمعايير واللوائح المعمول بها.

يقتصر استخدام ميكروفون مكبر الصوت البعيد (RSM)، عند توصيله بالراديو، على الاستخدام المهني فقط لتحقيق متطلبات التعرض لطاقة الترددات اللاسلكية الصادرة عن كل من هيئة الاتصالات الفيدرالية (FCC) واللجنة الدولية للحماية من الإشعاع غير المؤين (ICNIRP). وقبل استخدام هذا المنتج، اقرأ معلومات التعريف بطاقة الترددات اللاسلكية وتعليمات التشغيل الواردة في كتيب "سلامة المنتج والتعرض للترددات اللاسلكية" المرفق مع الراديو لضمان الامتثال لحدود التعرض لطاقة الترددات اللاسلكية.

## السلامة السمعية

قد يؤدي التعرض لضوضاء عالية من أي مصدر لفتراتٍ طويلة إلى تأثير حاسة السمع لديك بشكل مؤقت أو دائم. كلما ارتفع مستوى صوت الراديو، كان تأثير حاسة السمع لديك سريعاً. وفي بعض الأحيان لا يمكن اكتشاف الضرر السمعي الناتج عن الضوضاء العالية في بدايته وقد يكون له تأثير تراكمي. ولحماية حاسة السمع لديك:

- استخدم أقل مستوى صوت يحتاج إليه عملك.
- لا ترفع مستوى الصوت إلا إذا كانت البيئة المحيطة بك صاخبة.
- قم بخفض مستوى الصوت قبل توصيل سماعة الرأس أو سماعة الأذن.
- قلّل مدة استخدامك سماعات الرأس أو سماعات الأذن بمستوى صوت مرتفع.
- عند استخدام الراديو من دون سماعة رأس أو سماعة أذن، لا تضع مكبر صوت الراديو أمام الأذن مباشرةً.
- إذا شعرت بالانزعاج في أثناء الاستماع أو سمعت طنيناً في أذنيك أو خفوتاً في الصوت، فيجب أن تتوقف عن الاستماع إلى الراديو عبر سماعة الرأس أو سماعة الأذن وتفحص حاسة سمعك لدى الطبيب.

## الخدمة والضمان

تقدم شركة Motorola Solutions ضماناً لميكروفون مكبر الصوت البعيد. راجع وكيل شركة Motorola Solutions أو نقطة الشراء التابعة لها للحصول على معلومات تفصيلية.

**ملاحظة:** ويكون الضمان لاغياً حال قيام العميل باستبدال أي قطع بغير قطع الغيار المذكورة.



## علامات الشهادات



## عنوان جهة الاتصال

جهة الاتصال في الاتحاد الأوروبي

Motorola Solutions,

Czerwone Maki 82,

30-392 Krakow, Poland

جهة الاتصال في المملكة المتحدة

Motorola Solutions UK Ltd.,

Nova South, 160 Victoria Street,

London, SW1E 5LB,

United Kingdom

## اتصل بنا

مركز عمليات الدعم المُدارة المركزية (CMSO) هو جهة الاتصال الأساسية للحصول على الدعم الفني المضمّن في اتفاقية الخدمة الخاصة بمؤسستك مع Motorola Solutions.

يجب أن يحرص عملاء اتفاقية الخدمة على التواصل مع مركز عمليات الدعم المُدارة المركزية (CMSO) في كل الحالات الواردة ضمن "مسؤوليات العميل" في الاتفاقية الخاصة بهم، على سبيل المثال:

- لتأكيد النتائج والتحليلات المتعلقة باكتشاف الأخطاء وإصلاحها قبل اتخاذ أي إجراء

تسلمت مؤسستك أرقام هواتف الدعم ومعلومات الاتصال الأخرى المناسبة لمنطقتك الجغرافية واتفاقية الخدمة الخاصة بك. استخدم معلومات الاتصال هذه للحصول على الاستجابة الأكثر فعالية. ومع ذلك، إذا لزم الأمر، فيمكنك العثور أيضًا على معلومات اتصال الدعم العام على موقع Motorola Solutions على الويب من خلال اتباع الخطوات الآتية:

- 1 أدخل العنوان [motorolasolutions.com](http://motorolasolutions.com) في المستعرض.
- 2 تأكد من أن البلد أو المنطقة التي توجد فيها مؤسستك معروضة على الصفحة. ويوفر الضغط على اسم المنطقة أو النقر فوقه طريقة لتغييره.
- 3 حدد "Support" (الدعم) في صفحة [motorolasolutions.com](http://motorolasolutions.com).

### التعليقات

يمكنك إرسال الاستفسارات والتعليقات المتعلقة بمستندات المستخدم إلى [documentation@motorolasolutions.com](mailto:documentation@motorolasolutions.com).

قدّم المعلومات الآتية عند الإبلاغ عن خطأ في المستندات:

- عنوان المستند ورقم القطعة
- رقم الصفحة أو عنوان القسم الذي يشتمل على الخطأ
- وصف للخطأ

توفر Motorola Solutions دورات تدريبية مختلفة مصمّمة للمساعدة على التعرف على النظام. وللحصول على المعلومات، انتقل إلى <https://learning.motorolasolutions.com> لمشاهدة عروض الدورات التدريبية والمسارات التكنولوجية الحالية.



## اصطلاحات الرموز

تم تصميم مجموعة المستندات لتزويد القارئ بمزيد من التلميحات المرئية. وتُستخدم الرموز الرسومية الآتية في مجموعة المستندات بأكملها.

**خطر:** تدل الكلمة البارزة "خطر" مع رمز السلامة المرتبط بها على معلومات قد تؤدي، في حال تجاهلها، إلى الوفاة أو التعرض لإصابة خطيرة.



**تحذير:** تشير الكلمة البارزة "تحذير" مع رمز السلامة المرتبط بها إلى معلومات قد تؤدي، في حال تجاهلها، إلى الوفاة أو التعرض لإصابة خطيرة أو حدوث أضرار جسيمة في المنتج.



**تنبيه:** تشير الكلمة البارزة "تنبيه" مع رمز السلامة المرتبط بها إلى معلومات قد تؤدي، في حال تجاهلها، إلى التعرض لإصابة طفيفة أو متوسطة أو حدوث أضرار جسيمة في المنتج.



**تنبيه:** قد تُستخدم الكلمة البارزة "تنبيه" من دون رمز السلامة للإشارة إلى ضرر أو إصابة محتملين غير مرتبطين بالمنتج.

**هام:** تحتوي العبارات التي ضمن الفئة "مهم" على معلومات ضرورية للموضوع قيد المناقشة لكنها ليست تنبيهًا أو تحذيرًا. ولا يوجد مستوى تحذير مرتبط بالعبارات التي ضمن الفئة "مهم".



**ملاحظة:** تتضمن "الملاحظة" معلومات أهم من النص المحيط، مثل الاستثناءات أو الشروط السابقة. وهي توجّه القارئ أيضًا إلى مكان آخر للحصول على معلومات إضافية أو تُذكره بكيفية إكمال إجراء ما (عندما لا يكون جزءًا من الإجراء الحالي مثلًا) أو تخبره بموقع شيء ما على الشاشة. ولا يوجد مستوى تحذير مرتبط بالملاحظة.



## اصطلاحات الأنماط

تُستخدم اصطلاحات الأنماط الآتية:

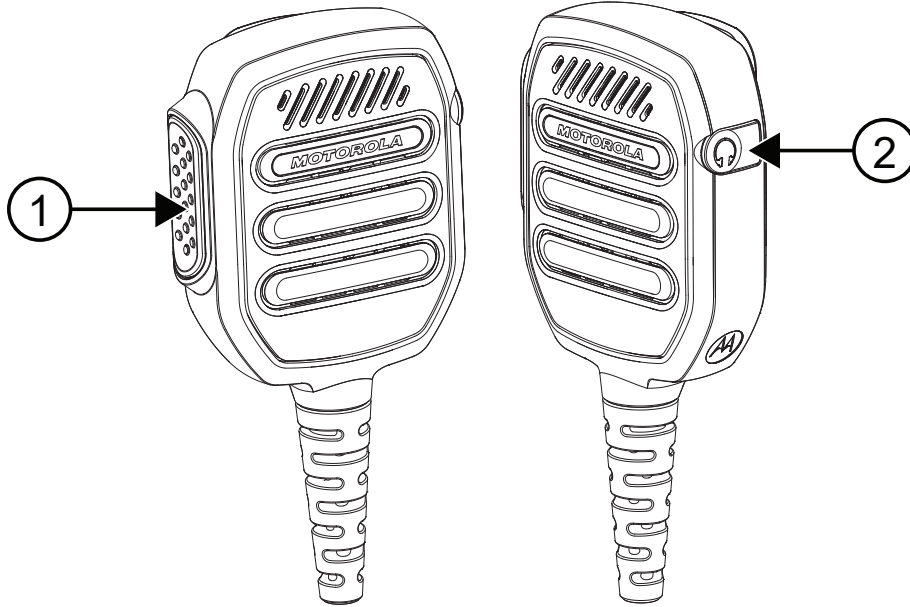
الوصف	الاصطلاح
يُستخدم هذا المحرف مع أسماء مثل أسماء النوافذ والأزرار والتسميات، عندما تظهر هذه الأسماء على الشاشة (مثال: نافذة <b>Alarms Browser</b> ). وعندما يكون من الواضح أننا نشير إلى زر مثلاً، يُستخدم الاسم وحده (مثال: انقر فوق <b>OK</b> ).	غامق
يُستخدم هذا المحرف للكلمات المراد كتابتها تماماً كما تظهر في النص (مثال: في الحقل <b>Address</b> ، اكتب <code>/http://ucs01.ucs:9080</code> ).	Monospacing font in bold
يُستخدم هذا المحرف للرسائل والمطالبات والنصوص الأخرى التي تظهر على شاشة الكمبيوتر (مثال: تمت إضافة وجهة تراكب جديدة).	خط أحادي المسافة
يُستخدم هذا المحرف مع الأقواس المعقوفة كعناصر نائية لعضو محدد في المجموعة التي تمثلها الكلمات (مثال: <b>&lt;رقم الموجه&gt;</b> ).	>خط أحادي المسافة <غامق ومائل>
<b>ملاحظة:</b> في التسلسلات المراد كتابتها، يتم حذف الأقواس المعقوفة لتجنب الالتباس بشأن ما إذا كان من الواجب تضمين الأقواس المعقوفة في النص المراد كتابته. 	
يُستخدم هذا المحرف لمفاتيح لوحة المفاتيح (مثال: اضغط على المفتاح <b>Y</b> ، ثم اضغط على المفتاح <b>ENTER</b> ).	الأحرف الكبيرة
يُستخدم هذا المحرف مع الاقتباسات. يكون الاقتباس عادة اسم مستند أو عبارة من مستند آخر (مثال: نظرة عامة على نظام <b>Dimetra IP</b> ).	مائل
يُستخدم → (السهم المتجه لليمين) للإشارة إلى بنية القائمة أو علامة التبويب في التعليمات الخاصة بكيفية تحديد عنصر قائمة معين (مثال: <b>File→Save</b> ) أو علامة تبويب فرعية محددة.	→

# المحتويات

2	معلومات السلامة والمعلومات القانونية
2	الملكية الفكرية والإشعارات التنظيمية
3	دليل سلامة المنتج والتعرض لطاقة الترددات اللاسلكية لأجهزة الراديو اليدوية ثنائية الاتجاه
3	السلامة السمعية
3	الخدمة والضمان
3	علامات الشهادات
3	عنوان جهة الاتصال
4	اتصل بنا
5	اصطلاحات الرموز
6	اصطلاحات الأنماط
8	الفصل 1: نظرة عامة على المنتج
8	1.1 ملحقات الصوت الثانوية المتوافقة
9	1.2 قطع الغيار
10	1.2.1 تركيب المشبك الدوار
11	1.2.2 فصل المشبك الدوار
11	1.2.3 إزالة غطاء الحماية من الغبار
12	1.2.4 إدخال غطاء الحماية من الغبار
13	الفصل 2: تعليمات التشغيل
13	2.1 تركيب ميكروفون مكبر الصوت البعيد في الراديو
13	2.2 فصل ميكروفون مكبر الصوت البعيد عن الراديو
14	الفصل 3: الممارسات الموصى بها
14	3.1 العناية بشكل عام
15	3.2 الإرسال والاستقبال
16	3.3 مواضع ارتداء ميكروفون مكبر الصوت البعيد الموصى بها
16	3.4 إدارة الكابلات

## نظرة عامة على المنتج

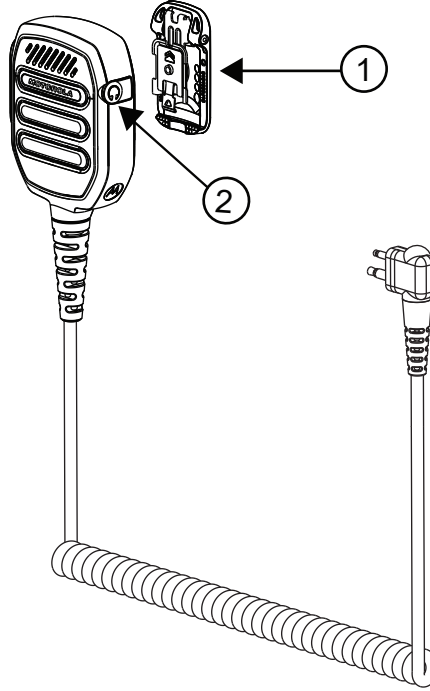
يصف دليل المستخدم هذا ميكروفون مكبر الصوت البعيد RM110 مع مقبس صوت مقاس 3,5 مم (IP55)، PMMN4148.



الوصف	الرقم
زر الضغط للتحدث	1
مقبس صوت مقاس 3,5 مم للاستقبال فقط (غير ملولب) مغطى بغطاء الحماية من الغبار	2

### 1.1 ملحقات الصوت الثانوية المتوافقة

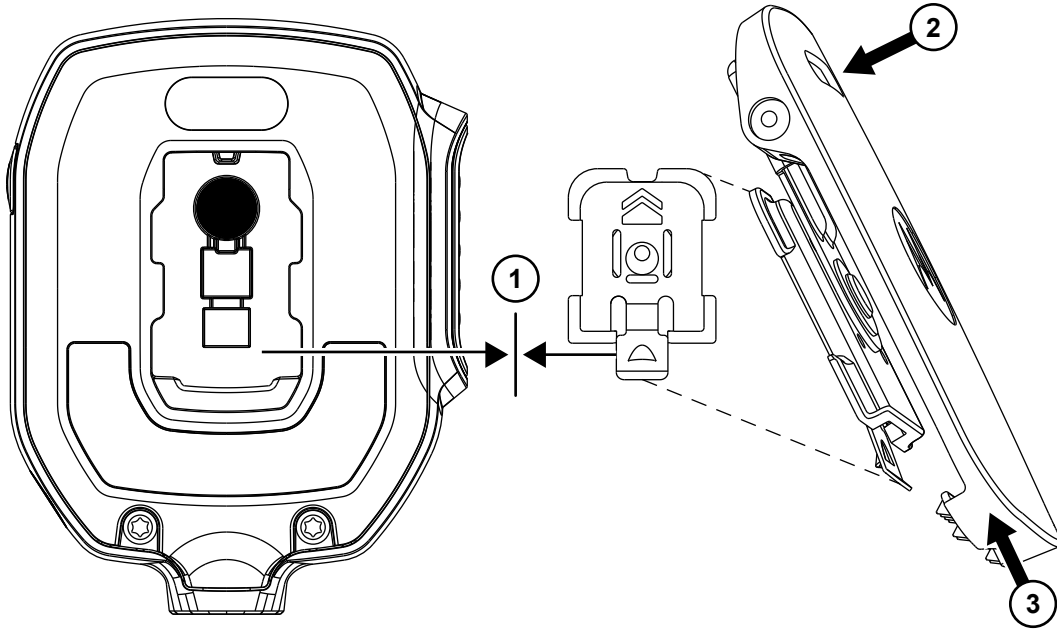
الأوصاف	الرقم
سماعة أذن أعلى صوتًا بأنبوب شفاف للاستقبال فقط، مقبس مقاس 3,5 مم	PMLN8120



الجدول 1: وسائل شرح قطع الغيار

الرقم	الأوصاف
1	مشبك دوار قصير (PMLN8121)
2	غطاء الحماية من الغبار، 10 قطع بكل عبوة (PMLN8253)

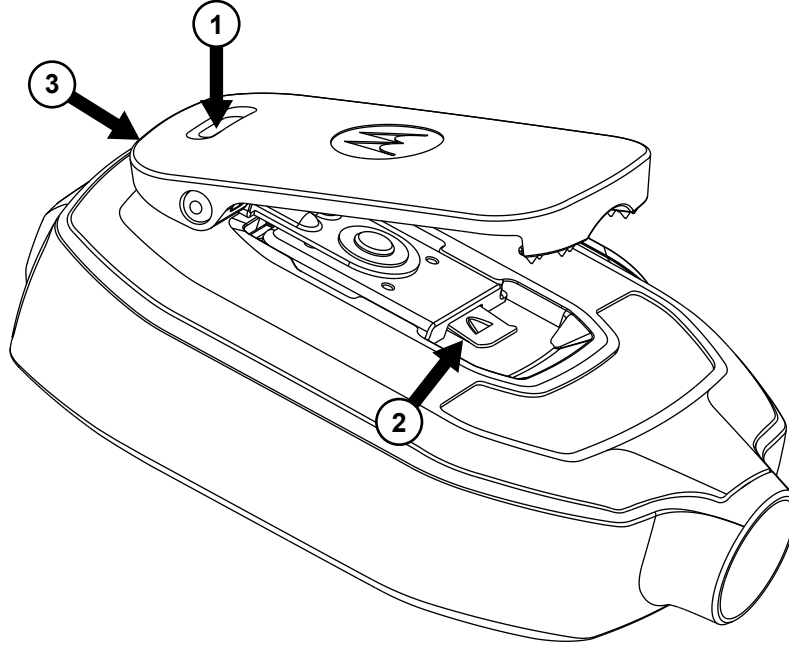
### تركيب المشبك الدوار



#### الإجراء:

- 1 قم بمحاذاة قفل التحرير السفلي بحيث يكون موجهاً نحو الأسفل.
- 2 ادفع أعلى المشبك إلى أسفل.
- 3 في الوقت نفسه، ادفع المشبك لينزلق إلى أعلى.

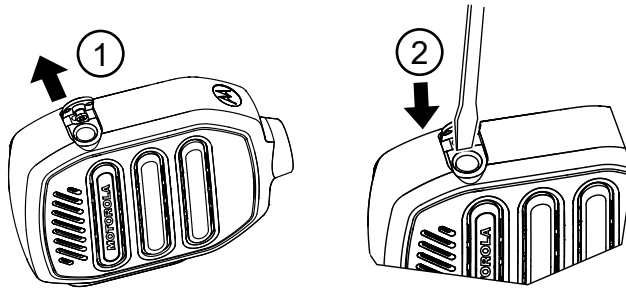
## 1.2.2 فصل المشبك الدوار



### الإجراء:

- 1 ادفع أعلى المشبك لرفع المشبك إلى أعلى موضع.
- 2 ارفع قفل التحرير السفلي إلى أعلى.
- 3 ادفع المشبك لينزلق من أجل إزالته.

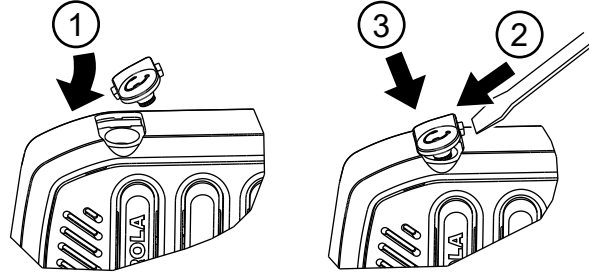
## 1.2.3 إزالة غطاء الحماية من الغبار



### الإجراء:

- 1 ارفع غطاء الحماية من الغبار حتى يفتح بالكامل.
- 2 أدخل أداة صغيرة بطرف مستوٍ إلى داخل التجويف وقم بتحريك غطاء الحماية من الغبار.

### إدخال غطاء الحماية من الغبار



#### الإجراء:

- 1 مرر اللسان الجانبي لغطاء الحماية من الغبار إلى داخل فتحة التجويف.
- 2 ادفع الطرف المقابل بأداة صغيرة.
- 3 ادفع غطاء الحماية من الغبار بشكل متزامن إلى داخل ميكروفون مكبر الصوت البعيد.



## تعليمات التشغيل

يوفر هذا القسم إرشادات عن كيفية استخدام ميكروفون مكبر الصوت البعيد.

### 2.1

#### تركيب ميكروفون مكبر الصوت البعيد في الراديو

المتطلبات المسبقة: أوقف تشغيل الراديو.

**ملاحظة:** لضمان التشغيل الصحيح، قم بإيقاف تشغيل الراديو قبل توصيل ميكروفون مكبر الصوت البعيد به. يؤدي توصيل ميكروفون مكبر الصوت البعيد بالراديو إلى تعطيل مكبر الصوت بالراديو، لكنه لا يؤدي إلى تعطيل الميكروفون أو زر الضغط للتحدث (PTT) بالراديو.



#### الإجراء:

قم بتركيب موصل ميكروفون مكبر الصوت البعيد (RSM) على الموصل الجانبي للراديو.

### 2.2

#### فصل ميكروفون مكبر الصوت البعيد عن الراديو

المتطلبات المسبقة: أوقف تشغيل الراديو.

دواعي الاستخدام:

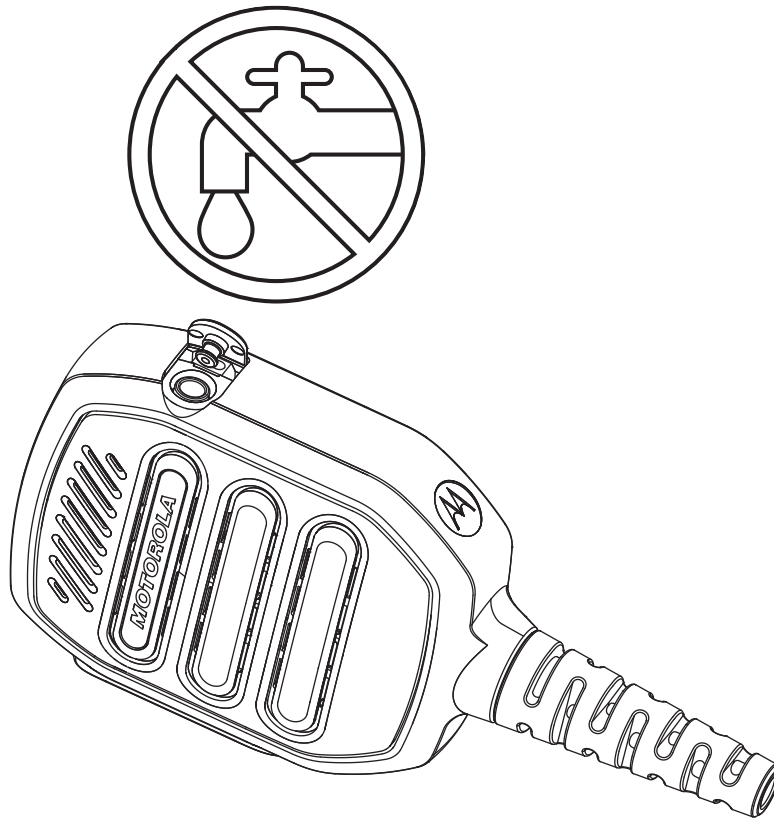
#### الإجراء:

- 1 قم بفصل موصل ميكروفون مكبر الصوت البعيد (RSM) عن الموصل الجانبي للراديو.
- 2 أبقِ غطاء الحماية من الغبار بداخل مقبس الصوت الخاص بميكروفون مكبر الصوت البعيد عند عدم استخدام ملحق ثانوي.

## الممارسات الموصى بها

يوفر هذا القسم معلومات عن الممارسات الموصى بها لميكروفون مكبر الصوت البعيد (RSM).

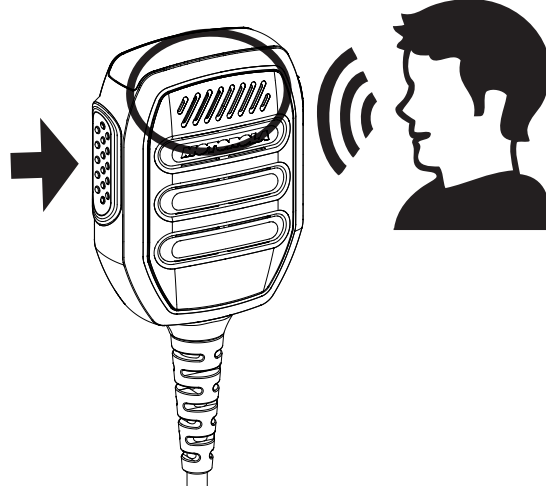
### 3.1 العناية بشكل عام



- قم بتغطية مقبس الصوت بغطاء الحماية من الغبار عند عدم توصيله بسماعة أذن. لا تسكب الماء داخل مقبس الصوت.
- في حالة دخول الماء إلى مقبس الصوت، تخلص من الماء عن طريق هزّ ميكروفون مكبر الصوت البعيد.

### 3.2 الإرسال والاستقبال

الشكل 1: إرسال



الشكل 2: استقبال



3.3

### مواضع ارتداء ميكروفون مكبر الصوت البعيد الموصى بها

الشكل 3: موضع الارتداء الموصى به



ملاحظة: للحصول على أداء أفضل، ارتد ميكروفون مكبر الصوت البعيد والجهاز على الجهة نفسها.

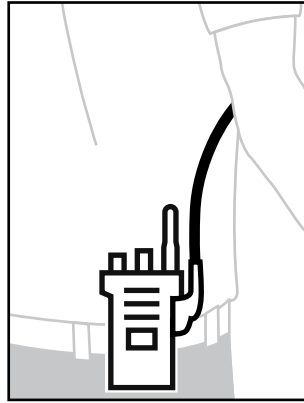


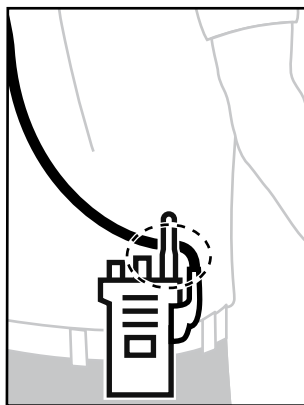
3.4

### إدارة الكابلات

يصف هذا القسم موضع الكابل الموصى به.

الشكل 4: موصى به





لضمان المدى الأمثل والتجربة المثلى للمستخدم، يُوصى بتجنب تداخل كابل الملحقات مع هوائي الراديو.