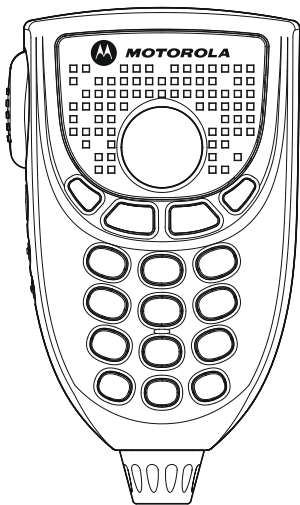
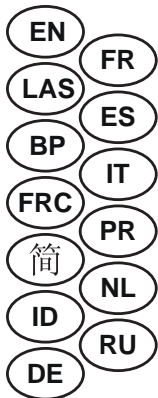




# Mobile Microphone

RMN5127

User Guide





## FOREWORD

This device complies with part 15 of the FCC Rules. Operation is subject to the following two conditions:

- (1) This device may not cause harmful interference.
- (2) This device must accept any interference received, including interference that may cause undesired operation.

## ATTENTION!

This device is restricted to occupational use only to satisfy FCC/ICNIRP RF energy exposure requirements.

## ACOUSTIC SAFETY

Exposure to loud noises from any source for extended periods of time may temporarily or permanently affect your hearing. The louder the radio's volume, the less time is required before your hearing could be affected. Hearing damage from loud noise is sometimes undetectable at first and can have a cumulative effect. To protect your hearing:

- Use the lowest volume necessary to do your job.
- Turn up the volume only if you are in noisy surroundings.
- Turn down the volume before connecting headset or earpiece.

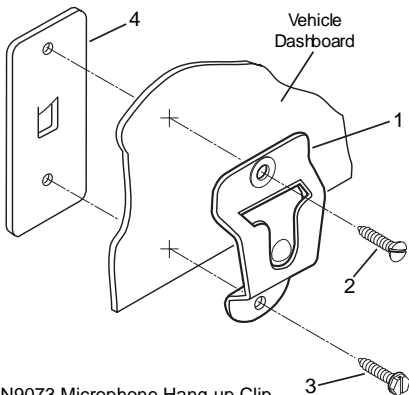
- Limit the amount of time you use headsets or earpieces at high volume.
- When using the radio without a headset or earpiece, do not place the radio's speaker directly against your ear.

## DESCRIPTION

The Mobile Keypad Microphone (Mic), Motorola® Kit Number RMN5127 is a full keypad handheld microphone. The keypad on this microphone is intended to assist in navigating through the menus on its parent device, as well as entering information such as phone numbers and menu picks.

## INSTALLATION

1. Refer to HLN9073 Microphone Hang-up Clip and attach hangup clip (1) to vehicle using the two sheet metal screws and back-up plate provided. Place back-up plate (4) behind dashboard. Use flat-head screw (2) in top mounting hole and hex-washer screw (3) in bottom mounting hole. Be certain mounting screws fasten into holes in back-up plate.



HLN9073 Microphone Hang-up Clip

ITEM NUMBER	DESCRIPTION
1	Hang-up Clip
2	Flat-Head Screw
3	Hex-Washer Head Screw
4	Back-up Plate

2. Insert button on rear housing of Mic into hang-up clip.
3. Insert the GCAI plug on the radio end of the Mic cord into the GCAI jack on the front of the radio.

4. Turn the locking collar on the radio end of the mic cord  $\frac{1}{4}$  turn clockwise to secure it in place.

## **DISCONNECTING MIC FROM RADIO**

Turn the locking collar on the radio end of the mic cord  $\frac{1}{4}$  turn counter clockwise.

Pull the cord connector from GCAI connector to release.

## **OPERATION**

Press PTT button before speaking into microphone, position mic about 1-inch away from mouth and speak into mic in a normal voice.

## **TROUBLESHOOTING**

Troubleshooting of mic is limited to determining whether the inoperable condition of a mic is caused by a faulty mic cord or a faulty mic head. To make this determination and correct the fault, replace the mic cord with the spare first. If replacing the mic cord does not restore operation, replace the mic head. The mic cord and mic head are not repairable items, therefore they must be replaced when they are determined to be faulty.

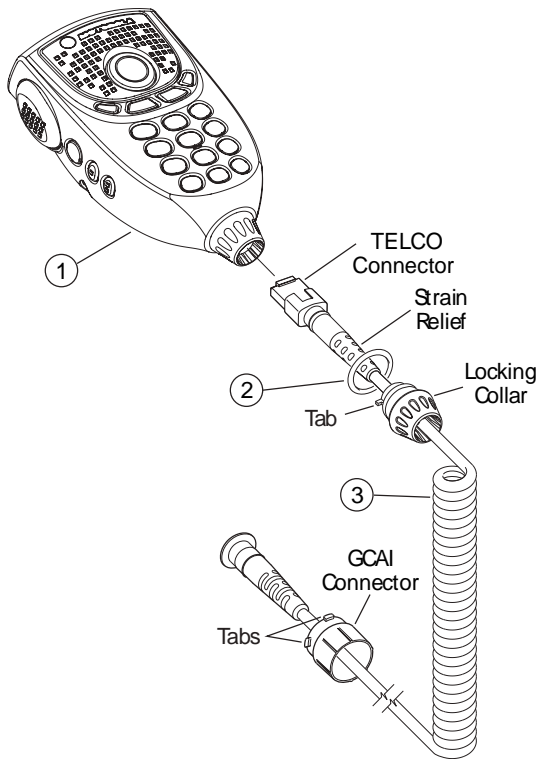
## **REPLACING MIC CORD**

### **Removing Cord from Mic Body**

1. Refer to illustration on next page. Grasp locking collar and, while pushing it firmly towards mic body, turn it counterclockwise  $\frac{1}{4}$  turn to disengage it from mic body.
2. Disconnect cord from mic body by pulling TELCO connector (which has no tab on it) out of TELCO jack on circuit board inside mic body.

### **Installing Cord Into Mic Body**

1. Slide locking collar on mic end of cord away from TELCO plug and past strain relief on cord.
2. Orient TELCO plug on mic end of cord so that it aligns with TELCO jack inside mic body and its contacts face rear of mic housing.
3. Pass TELCO plug through hole at bottom of mic body and plug it into TELCO jack on circuit board inside mic body.
4. Slide locking collar back up on cord with tabs on its sides facing sides of mic body.
5. Push locking collar firmly into hole at bottom of mic body then turn it  $\frac{1}{4}$  turn clockwise to secure it in place.

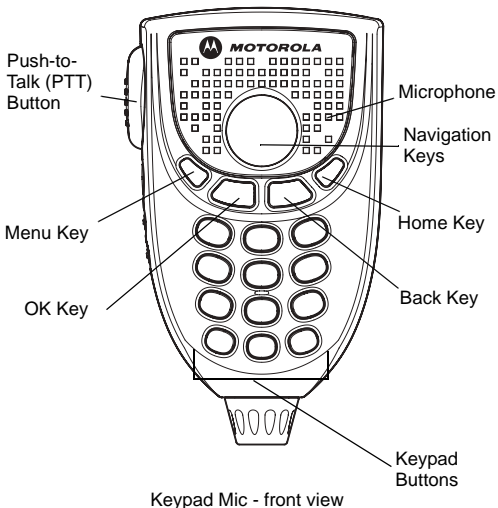


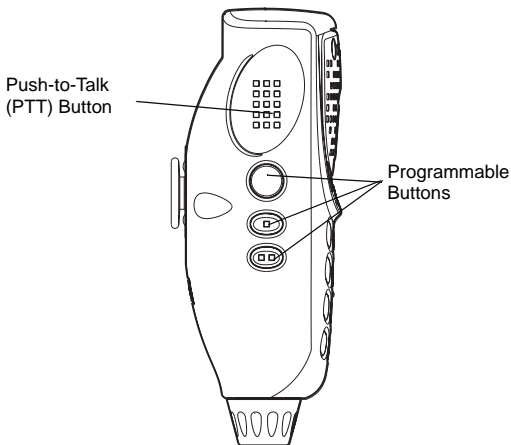


## FIELD REPLACEABLE UNITS

ITEM NUMBER	MOTOROLA PART NO.	DESCRIPTION
2	3205508Z02	O-Ring, White (On Mic Head)
3	3064153H04	Coil Cord

English





Keypad Mic - side view

**Note:** Refer to the control head manuals for further information on the specific functionality of the buttons.

© 2011 by Motorola Solutions, Inc.  
1303 E. Algonquin Rd., Schaumburg, IL 60196 U.S.A.

MOTOROLA, MOTO, MOTOROLA SOLUTIONS and the Stylized M logo are trademarks or registered trademarks of Motorola Trademark Holdings, LLC and are used under license. All other trademarks are the property of their respective owners.

TELCO is a trademark of TELCO Intercontinental Corporation.